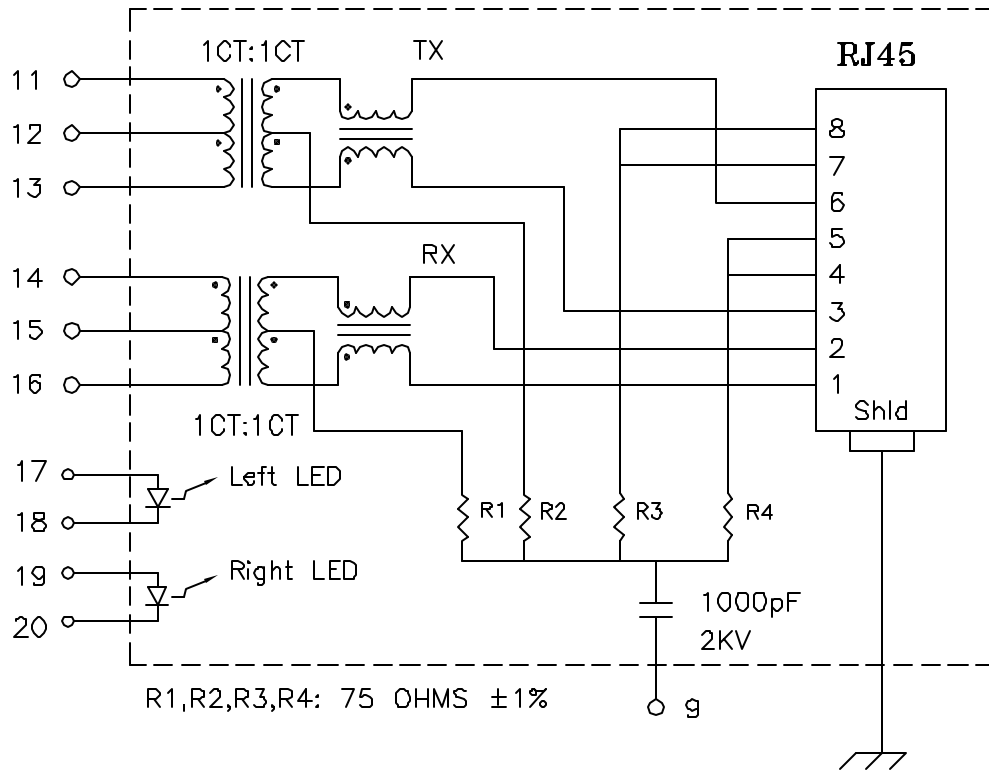


1. Schematic:



2. Electrical Specifications:@25°C

Isolation Voltage: 1500 Vrms (Input to Output)

Isolation Voltage: 500 Vrms (P11+12+13 to P14+15+16)

Q: 16 Min @100KHz 0.1V

Turns Ratio: TX 1CT:1CT ±3% RX 1CT:1CT ±3%

Cable Side OCL: 350uH Minimum @100KHz 100mV 8mADC Complete the Combo P/N as follows:

Insertion Loss (300KHz-100MHz): -1.0dB Maximum

Return Loss: @30MHz -20dB Typ

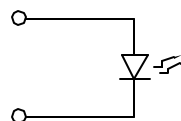
@80MHz -15dB Typ

Replace 'x' & 'u' in the part number with one of the LED color letters:

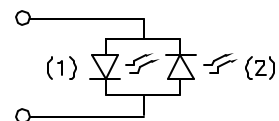
Y=Yellow
G=Green
A=Amber
R=Red
C=Green(1)/Amber(2) Bicolor
D=Amber(1)/Green(2) Bicolor
M=Green(1)/Yellow(2) Bicolor
N=Yellow(1)/Green(2) Bicolor
P=Red(1)/Green(2) Bicolor
Q=Green(1)/Red(2) Bicolor

'x' = Left LED Color
'u' = Right LED Color

Single Color LED:



Bi-Color LED:



Notes:

- Solderability: Leads shall meet MIL-STD-202G, Method 208H for solderability.
- Flammability: UL94V-0
- ASTM oxygen index: > 28%
- Insulation System: Class F 155°C. UL file E151556
- Operating Temperature Range: All listed parameters are to be within tolerance from -40°C to +85°C
- Storage Temperature Range: -55°C to +125°C
- Aqueous wash compatible
- Electrical and mechanical specifications 100% tested
- RoHS Compliant Component

DOC REV: A/12

XFMRS Inc.
www.XFMRS.com

Title: **STACKED USB COMBO**

UNLESS OTHERWISE SPECIFIED
TOLERANCES:
.xxx ±0.010
Dimensions in Inch

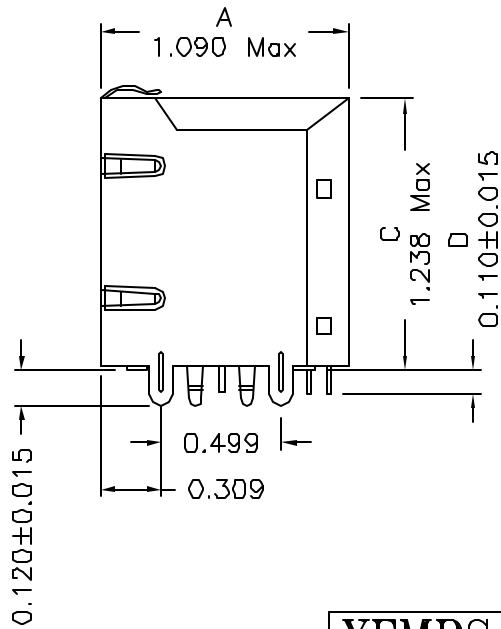
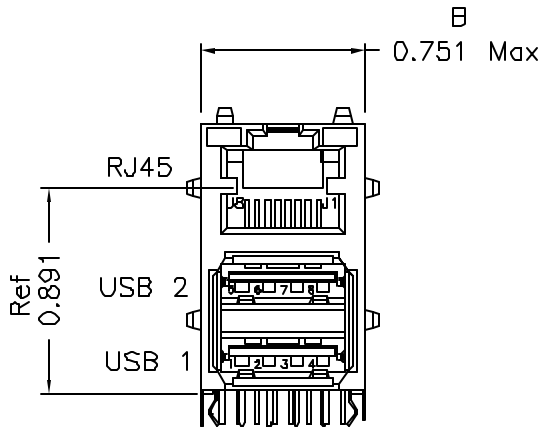
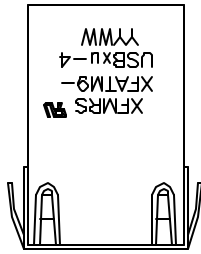
P/N: XFATM9-USBxu-4	REV. A
DWN.	Xianyí
CHK.	YK Liao
APP.	BW
	Oct-05-08
	Oct-05-08
	Oct-05-08

SHEET 1 OF 3

PROPRIETARY:

Document is the property of XFMRS Group & is not allowed to be duplicated without authorization.

3. Mechanical Dimensions:



DOC REV: A/12

XFMRs Inc.
www.XFMRS.com

Title: **Mechanical Dimensions
For Stacked USB Combo**

UNLESS OTHERWISE SPECIFIED
TOLERANCES:
.xxx ±0.010
Dimensions in Inch

P/N: XFATM9-USBxU-4

REV. A

DWN.

Xianyi

Oct-05-08

CHK.

YK Liao

Oct-05-08

APP.

BW

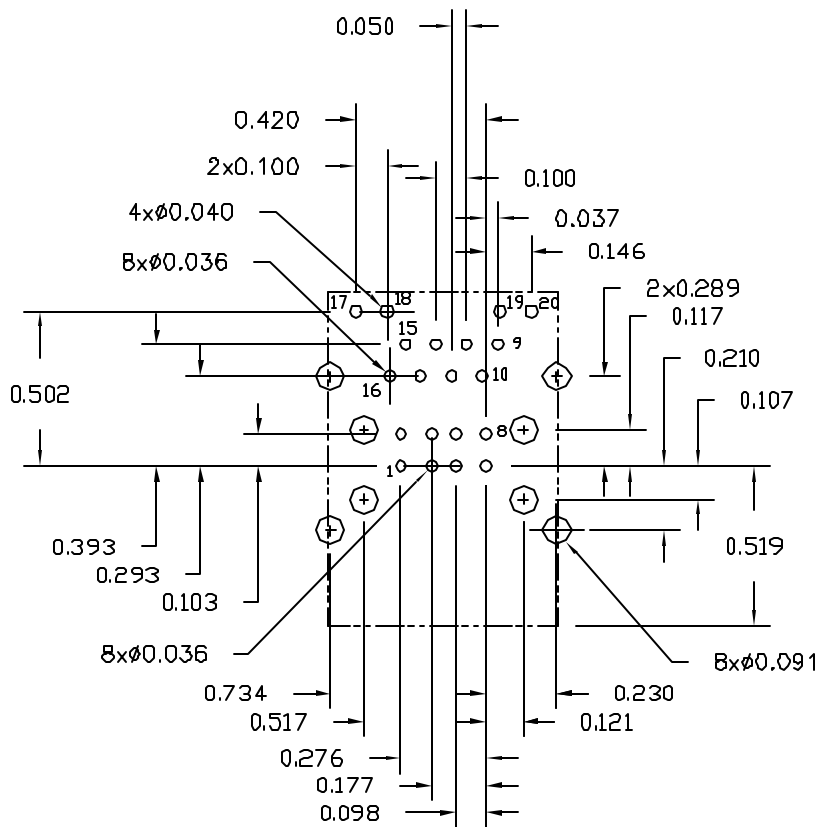
Oct-05-08

SHEET 2 OF 3

PROPRIETARY:

Document is the property of XFMRs Group & is not allowed to be duplicated without authorization.

3. Mechanical Dimensions (cont.):



SUGGESTED PC BOARD LAYOUT VIEW
FROM COMPONENT SIDE

DOC REV: A/12

XFMRs Inc. www.XFMRs.com	Title: Mechanical Dimensions For Stacked USB Combo		
	UNLESS OTHERWISE SPECIFIED TOLERANCES: .xxx ±0.010 Dimensions in Inch		P/N: XFATM9-USBxU-4
			REV. A
			Oct-05-08
		DWN.	Xianyì
		CHK.	YK Liao
		APP.	BW
SHEET 3 OF 3			Oct-05-08

PROPRIETARY:

Document is the property of XFMRs Group & is not allowed to be duplicated without authorization.