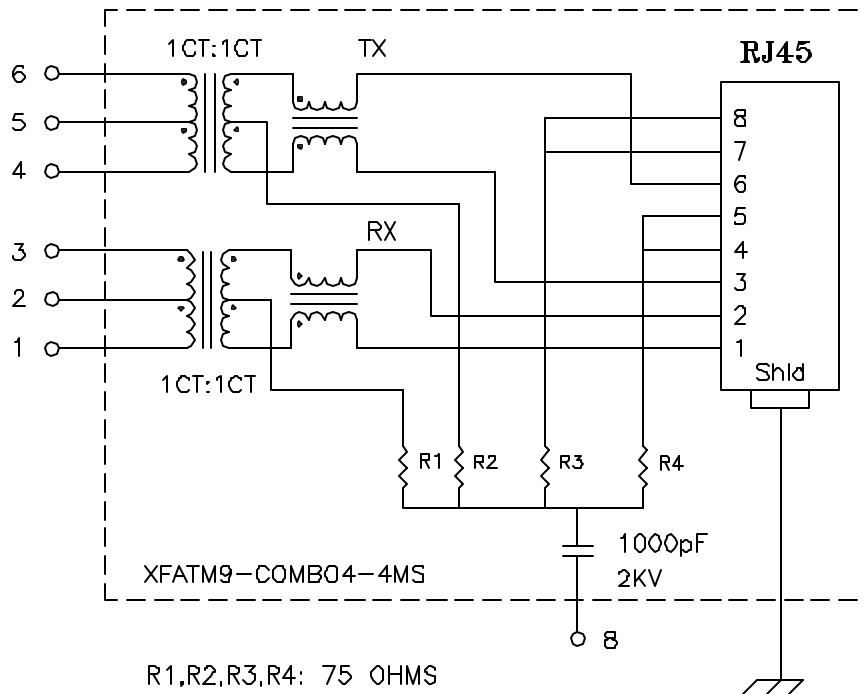


Schematic:



Electrical Specifications: @25°C

Isolation Voltage: 1500 Vrms (Input to Output)
 Isolation Voltage: 500 Vrms (P1+2+3 to P4+5+6)
 Turns Ratio: TX 1CT:1CT $\pm 3\%$ RX 1CT:1CT $\pm 3\%$
 CABLE SIDE OCL: 350uH Minimum @100KHz 100mV 8mADC
 Cw/w: 27pF Typical @100KHz 100mV
 Insertion Loss (300KHz-100MHz): 1.0dB Maximum
 Return Loss: @30MHz 18dB Minimum
 @80MHz -12dB Typ

Notes:

1. Solderability: Leads shall meet MIL-STD-202G, Method 208H for solderability.
2. Flammability: UL94V-0
3. ASTM oxygen Index: > 28%
4. Insulation System: Class F 155°C. UL file E151556
5. Operating Temperature Range: All listed parameters are to be within tolerance from -40°C to +85°C
6. Storage Temperature Range: -55°C to +125°C
7. Aqueous wash compatible
8. Electrical and mechanical specifications 100% tested
9. RoHS Compliant Component

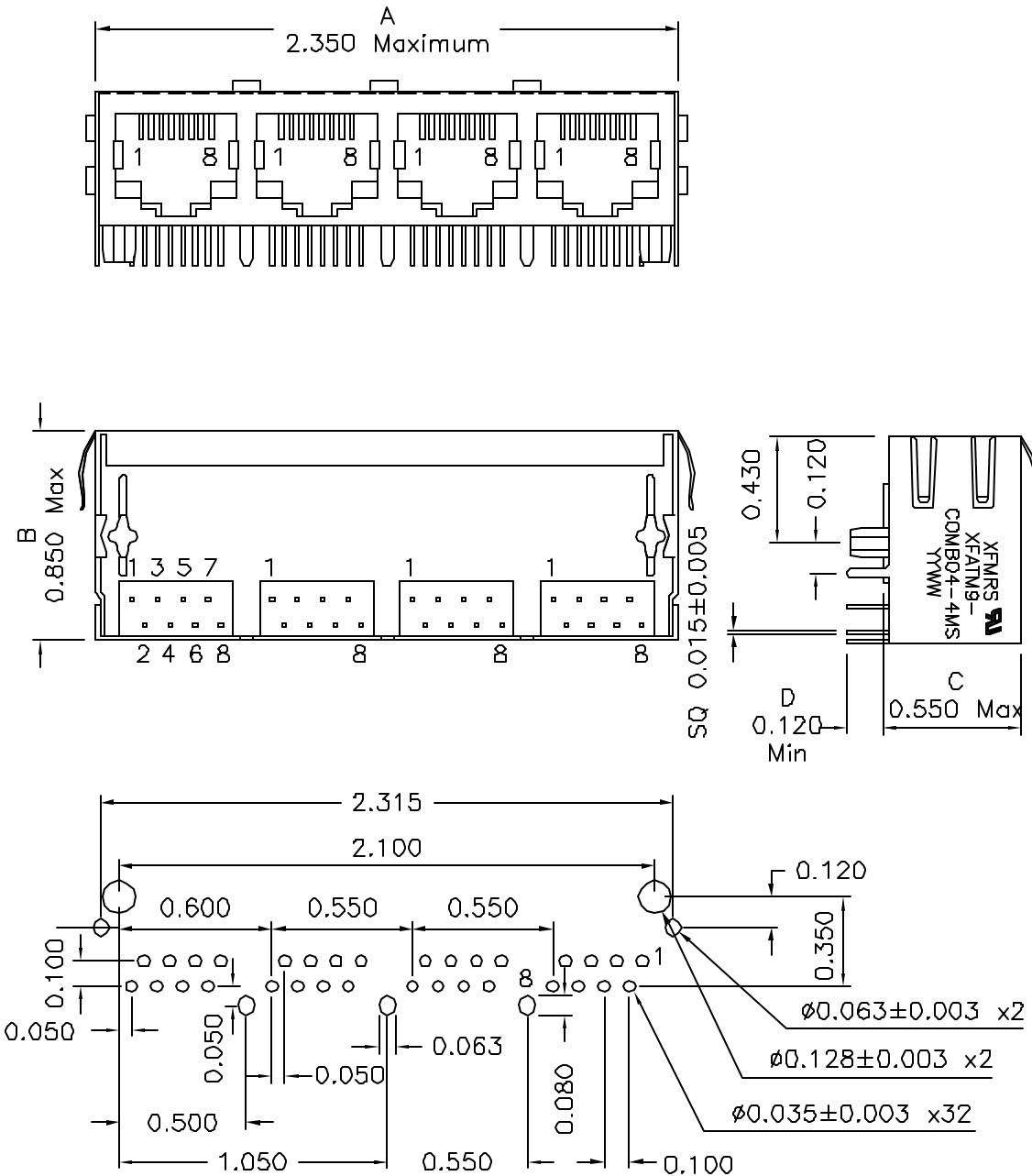
DOC. REV: A/7

XFMRs Inc. www.XFMRS.com		Title: QUAD PORT COMBO	
UNLESS OTHERWISE SPECIFIED TOLERANCES: .xxx ± 0.010		P/N: XFATM9-COMBO4-4MS	REV. A
Dimensions in Inch	DWN.	罗振江	Jul-26-07
	CHK.	廖玉坤	Jul-26-07
SHEET 1 OF 2	APP.	MS	Jul-26-07

PROPRIETARY:

Document is the property of XFMRs Group & is not allowed to be duplicated without authorization.

Mechanical Dimensions: (FOR COMB04-4MS)



SUGGESTED MOUNTING PATTERN

DOC. REV: A/7

XFMRs Inc. www.XFMRs.com UNLESS OTHERWISE SPECIFIED TOLERANCES: .xxx ±0.010 Dimensions in Inch	Title: Mechanical Dimensions For COMB04-4MS Series		
	P/N: XFATM9-COMB04-4MS	REV. A	
SHEET 2 OF 2	DWN.	罗振江	Jul-26-07
	CHK.	廖玉坤	Jul-26-07
	APP.	MS	Jul-26-07

PROPRIETARY:

Document is the property of XFMRs Group & is not allowed to be duplicated without authorization.