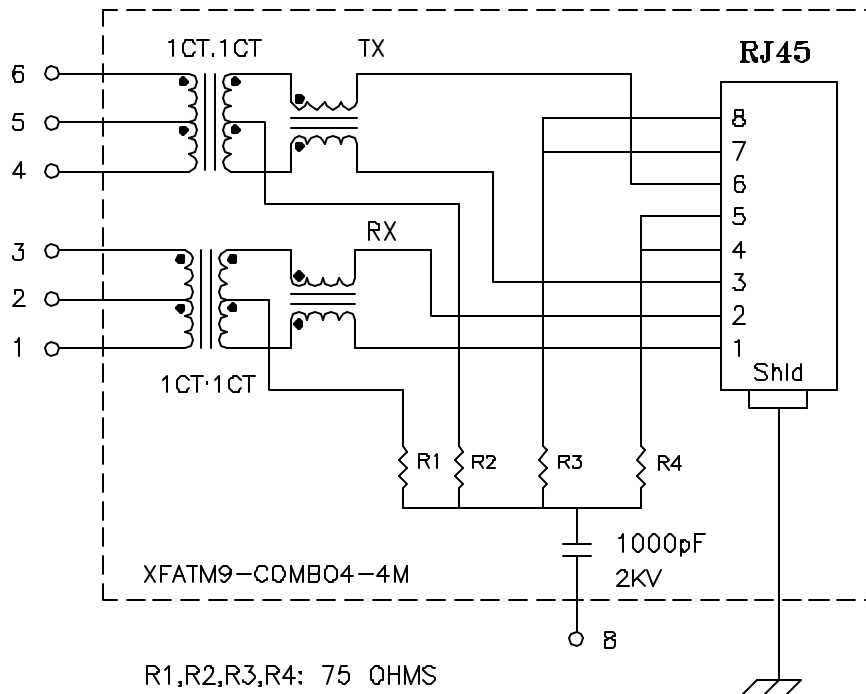


Schematic:



Electrical Specifications: @25°C

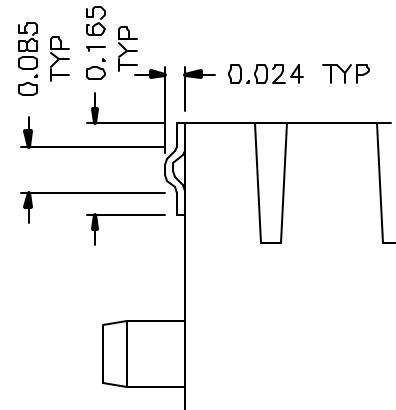
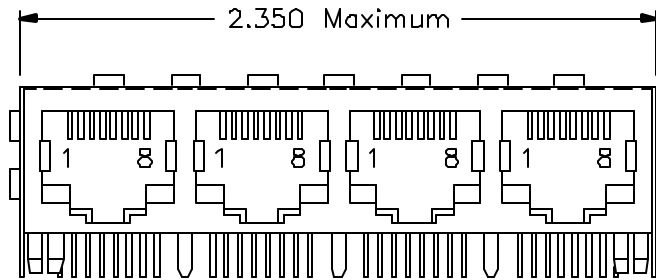
Isolation Voltage: 1500 Vrms (Input to Output)
 Isolation Voltage: 500 Vrms (P1+2+3 to P4+5+6)
 Turns Ratio: TX 1CT:1CT $\pm 3\%$ RX 1CT:1CT $\pm 3\%$
 CABLE SIDE OCL: 350uH Minimum @100KHz 100mV 8mADC
 Cw/w: 27pF Typical @100KHz 100mV
 Insertion Loss (300KHz-100MHz): -1.0dB Minimum
 Return Loss: @30MHz -18dB Minimum
 @80MHz -12dB Minimum

Note:

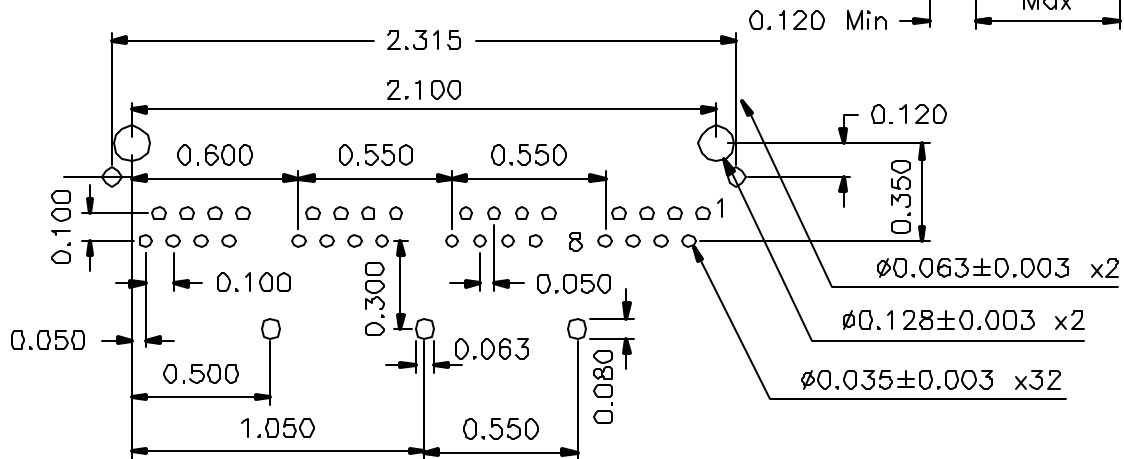
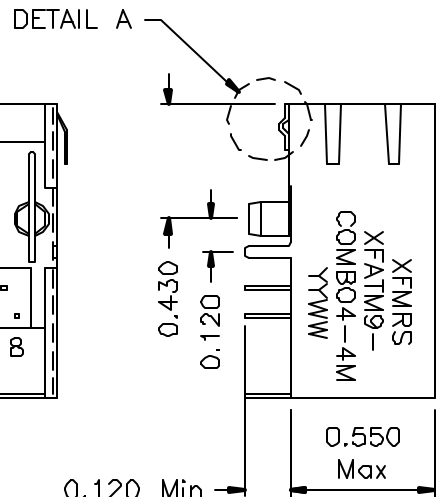
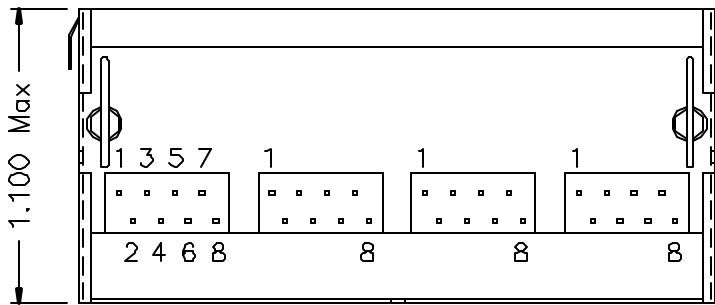
1. Solderability: Leads shall meet MIL-STD-202, Method 208D for solderability.
2. Flammability UL94V-0,
3. ASTM oxygen index: > 28% ,
4. Temperature rating: 155°C. UL file E151556,
5. Operating Temperature Range: -40°C to +85°C

XFMRs Inc.	Title: QUAD PORT COMBO		
UNLESS OTHERWISE SPECIFIED TOLERANCES: .xxx ± 0.010 Dimensions in Inch	P/N: XFATM9-COMBO4-4M		REV. A
	DWN.	李清儿	Dec-08-00
	CHK.	孙小波	Dec-08-00
DOC. REV: A/1	SHEET 1 OF 2	APP. Joe Huff	Dec-08-00

Mechanical Dimensions: (FOR COMB04-4M)



DETAIL A



SUGGESTED MOUNTING PATTERN

DOC. REV: A/1

XFMRs Inc. UNLESS OTHERWISE SPECIFIED TOLERANCES: .xxx ±0.010 Dimensions in Inch SHEET 2 OF 2	Title: Mechanical Dimensions For COMB04-4M Series	
	P/N: XFATM9-COMB04-4M	REV. A
	DWN. 廖玉坤	Dec-11-00
	CHK. 李清儿	Dec-11-00
APP. Joe Huff	Dec-08-00	