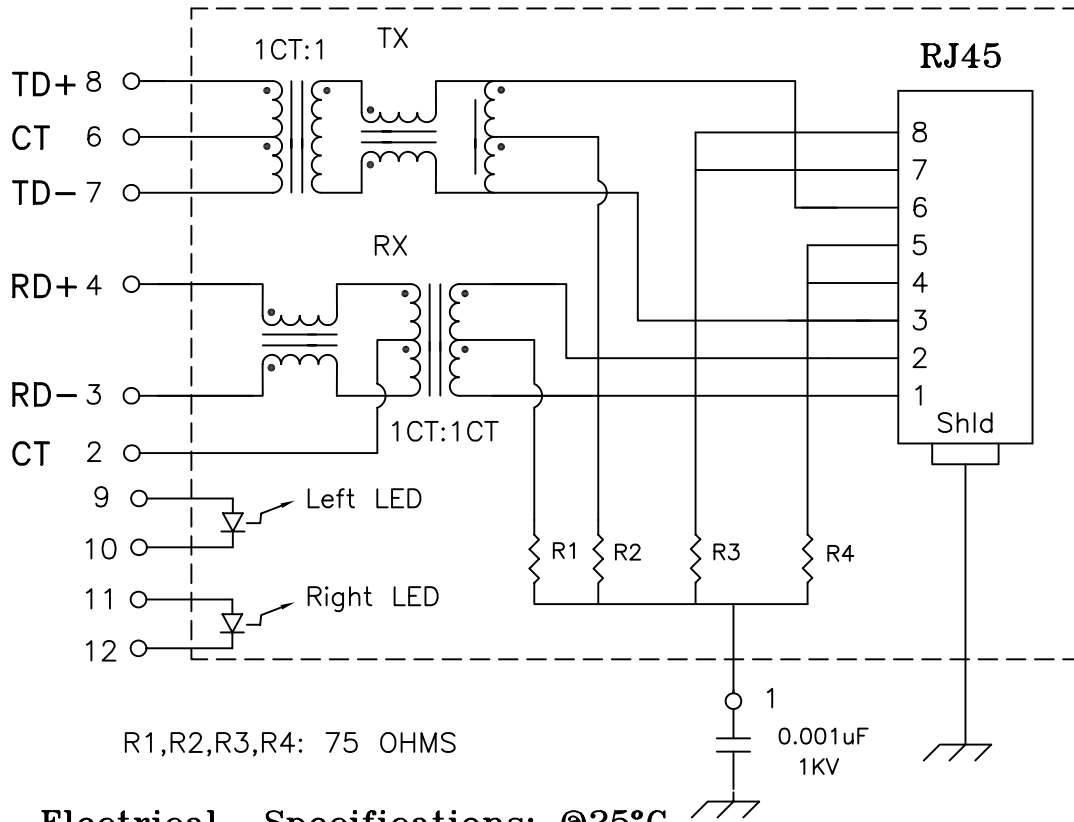


**Schematic:**



**Electrical Specifications: @25°C**

- Isolation Voltage: 1500 Vrms (INPUT to OUTPUT)
- Isolation Voltage: 500 Vrms (6+7+8-2+3+4)
- URNS RATIO: TX 1CT:1 ±5% RX 1CT:1CT ±5%
- OCL: 350uH Minimum @100KHz 100mV 8mADC
- Insertion Loss (300KHz-100MHz): -1.0dB Typical
- Return Loss: 30MHz -16dB Typical
- 60MHz -12dB Typical
- 80MHz -10dB Typical
- CROSSTALK: 32MHz -40dB Minimum
- 62MHz -35dB Minimum
- Notes: 100MHz -35dB Minimum

1. Solderability: Leads shall meet MIL-STD-202, Method 208D for solderability.
2. Flammability: UL94V-0
3. ASTM oxygen index: > 28%
4. Temperature rating: 155°C. UL file E151556
5. Operating Temperature Range: 0°C to +70°C

**PRELIMINARY**

Complete the Combo P/N as follows:

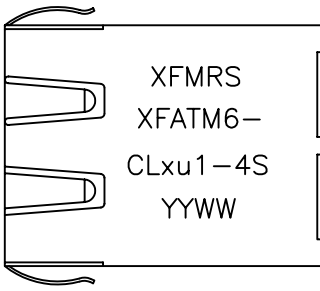
Replace 'x' & 'u' in the part number with one of the four LED color letters:

'x' = Left LED Color      Y=Yellow  
'u' = Right LED Color    G=Green  
                                  A=Amber  
                                  R=Red

DOC. REV: A/1

<b>XFMRS Inc.</b>	Title: SINGLE PORT COMBO	
	UNLESS OTHERWISE SPECIFIED	P/N: XFATM6-CLxul-4S      REV. A
	TOLERANCES: .xxx ±0.010	DWN.      李小锋      Jul-09-02
	Dimensions in Inch	CHK.      廖玉坤      Jul-09-02
SHEET 1 OF 2	APP.      Isaiah M      Jul-09-02	

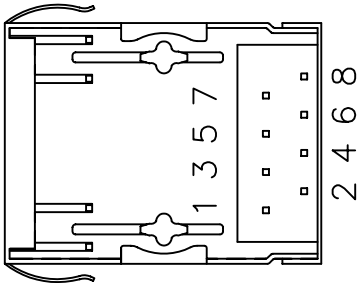
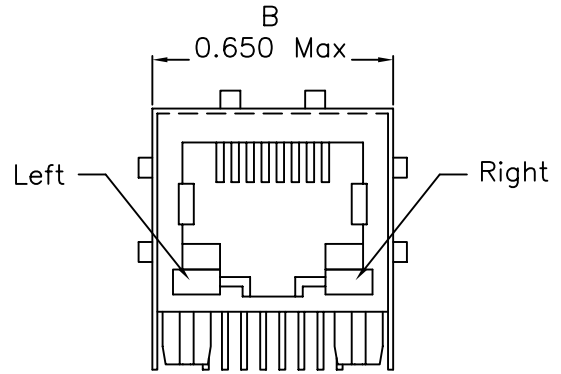
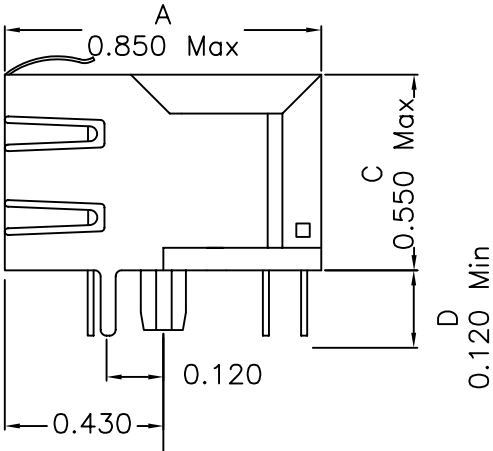
**Mechanical Dimensions:**



Complete the Combo P/N as follows:

Replace 'x' & 'u' in the part number with one of the four LED color letters:

'x' = Left LED Color      Y=Yellow  
'u' = Right LED Color    G=Green  
   A=Amber  
   R=Red

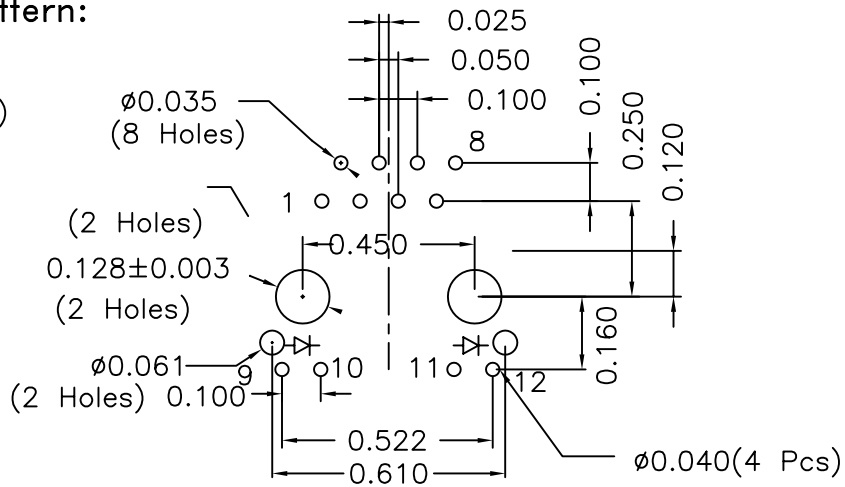


(BOTTOM VIEW)

**PRELIMINARY**

**Mounting Pattern:**

(COMP SIDE)



DOC. REV: A/1

<b>XFMRS Inc.</b>	Title: Mechanical Dimensions For CLxu1-4S Series	
	UNLESS OTHERWISE SPECIFIED TOLERANCES: .xxx ±0.010 Dimensions in Inch	P/N: XFATM6-CLxu1-4S DWN.      李小锋 CHK.      廖玉坤 APP.      Isaiah M
SHEET 2 OF 2	REV. A	Jul-09-02