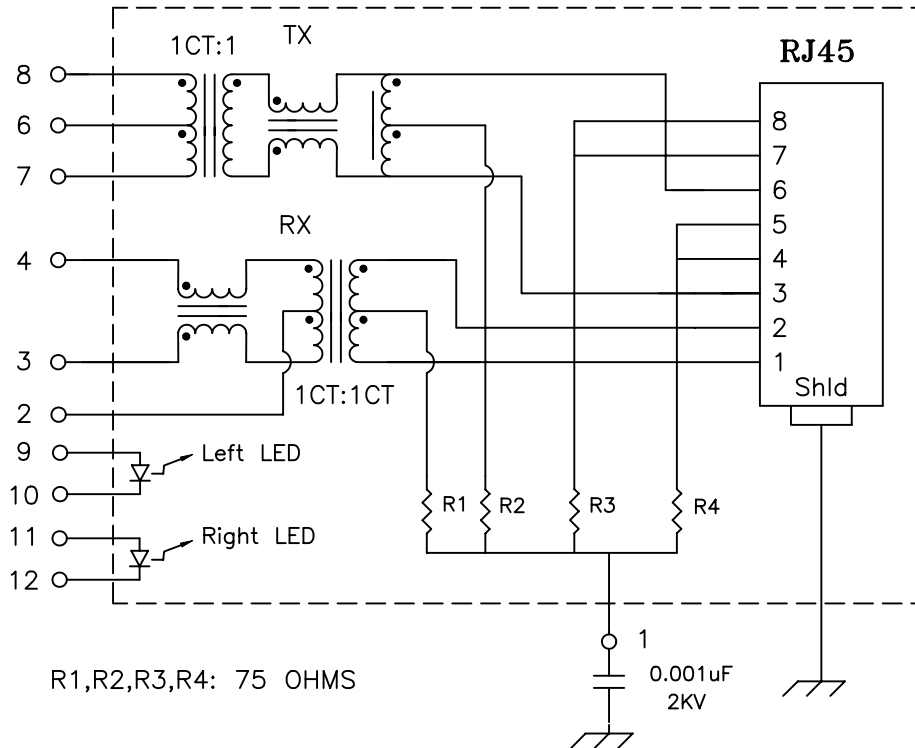


Schematic:



Electrical Specifications: @25°C

Isolation Voltage: 1500 Vrms (INPUT to OUTPUT)

Isolation Voltage: 500 Vrms (6+7+8-2+3+4)

TURNS RATIO: TX 1CT:1 ±5% RX 1CT:1CT ±5%

OCL: 350uH Minimum @100KHz 100mV 8mADC

Insertion Loss (300KHz-100MHz): -1.0dB Typical

Return Loss: 30MHz -16dB Typical

60MHz -12dB Typical

80MHz -10dB Typical

CROSSTALK: 32MHz -40dB Minimum

62MHz -35dB Minimum

100MHz -35dB Minimum

Notes:

1. Solderability: Leads shall meet MIL-STD-202, Method 208D for solderability.
2. Flammability: UL94V-0
3. ASTM oxygen index: > 28%
4. Insulation System: Class F 155°C, UL file E151556
5. Operating Temperature Range: All listed parameters are to be within tolerance from 0°C to +70°C
6. Storage Temperature Range: -55°C to +125°C
7. Aqueous wash compatible

Complete the Combo P/N as follows:

Replace 'x' & 'u' in the part number with one of the LED color letters:

Y=Yellow

G=Green

A=Amber

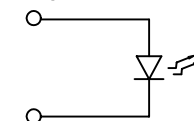
R=Red

N=Yellow(1)/Green(2) Bicolor

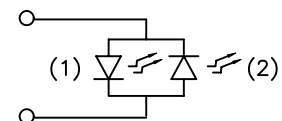
M=Green(1)/Yellow(2) Bicolor

'x' = Left LED Color
'u' = Right LED Color

Single Color LED:



Bi-Color LED:



XFMRS Inc.

Title: **SINGLE PORTS COMBO**

UNLESS OTHERWISE SPECIFIED
TOLERANCES:
.xxx ±0.010

Dimensions in Inch

SHEET 1 OF 2

P/N: XFATM6-CLxu1-4MS

REV. A

DWN.

刘 鹏

Apr-30-03

CHK.

李小锋

Apr-30-03

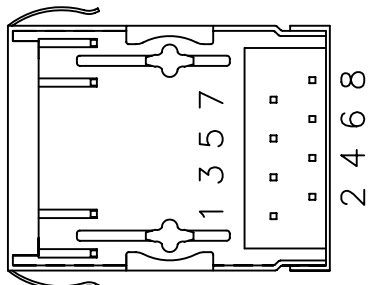
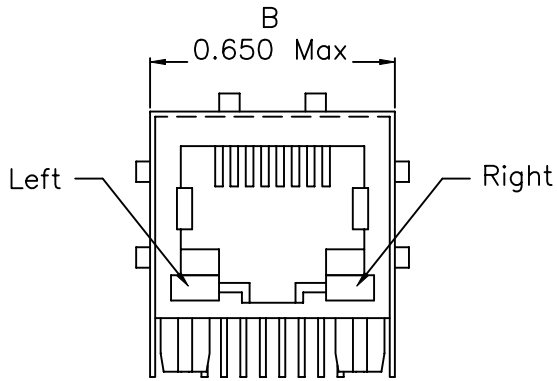
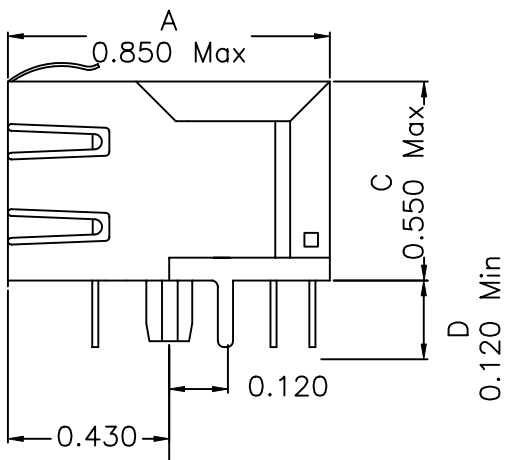
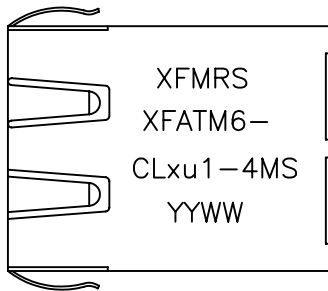
APP.

MS

Apr-30-03

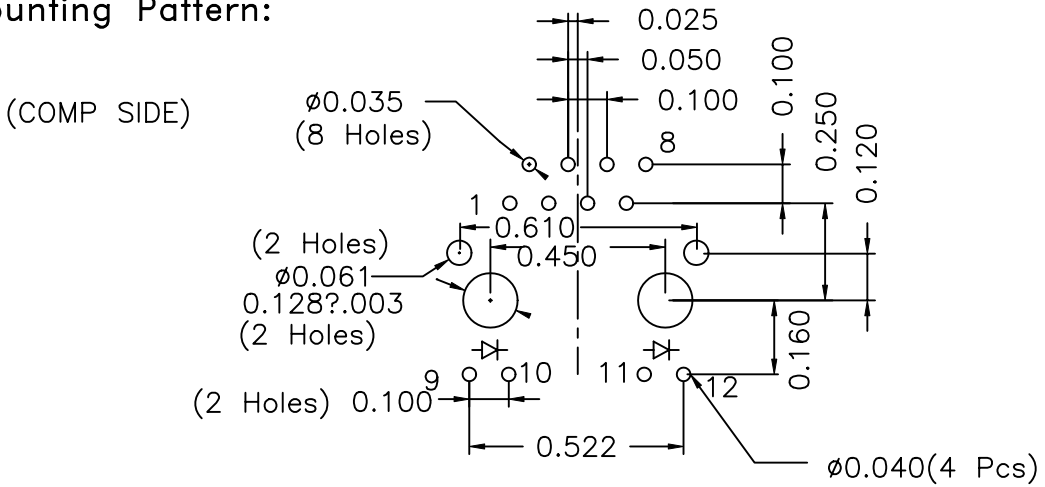
DOC. REV: A/2

Mechanical Dimensions:



(BOTTOM VIEW)

Mounting Pattern:



DOC. REV: A/2

XFMRS Inc.	Title: Mechanical Dimensions For CLxu1-4MS Series		
	UNLESS OTHERWISE SPECIFIED TOLERANCES: .xxx ±0.010 Dimensions in Inch	P/N: XFATM6-CLxu1-4MS	REV. A
SHEET 2 OF 2	DWN.	刘 鹏	Apr-30-03
	CHK.	李小锋	Apr-30-03
	APP.	MS	Apr-30-03