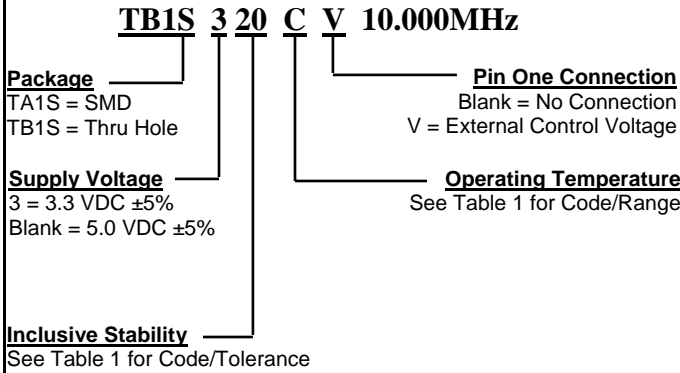


**PART NUMBERING GUIDE**

Revision: 1996-C

**TABLE 1**



Operating Temperature		Frequency Stability (±ppm) * Denotes Availability of Options					
Range	Code	1.5ppm	2.0ppm	2.5ppm	3.0ppm	3.5ppm	5.0ppm
		15	20	25	30	35	50
0 to 50°C	A	*	*	*	*	*	*
-10 to 60°C	B	*	*	*	*	*	*
-20 to 70°C	C	*	*	*	*	*	*
-30 to 60°C	D		*	*	*	*	*
-30 to 75°C	E		*	*	*	*	*
-35 to 85°C	F			*	*	*	*
-40 to 80°C	G				*	*	*

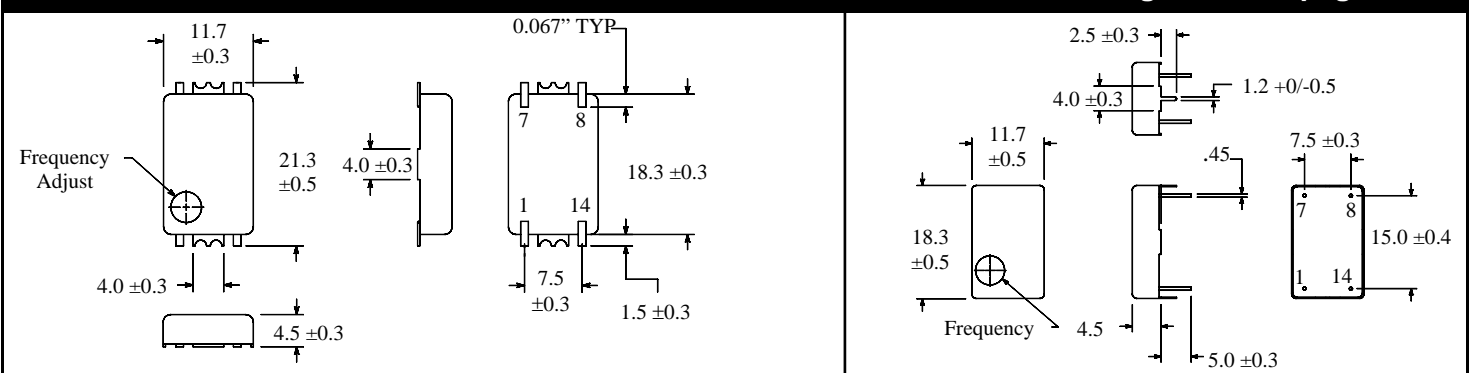
**ELECTRICAL SPECIFICATIONS**

**Environmental/Mechanical Specifications on page F5**

<b>Frequency Range</b>	9.600MHz to 35.000MHz	
<b>Frequency Stability</b>	All values inclusive of temperature, aging, and load See Table 1 Above.	
<b>Operating Temperature Range</b>	See Table 1 Above.	
<b>Storage Temperature Range</b>	-40°C to 85°C	
<b>Supply Voltage</b>	3.3 VDC ±5% / 5.0 VDC ±5%	
<b>Load Drive Capability</b>	10kOhms // 10pF	
<b>Output Voltage</b>	1Vp-p Minimum	
<b>Internal Trim (Top of Can)</b>	±3ppm Minimum	
<b>Control Voltage (External)</b>	2.5Vdc ±2.0Vdc Positive Transfer Characteristics	
<b>Frequency Deviation</b>	±5ppm Minimum Over Control Voltage	
<b>Aging (@ 25°C)</b>	±1ppm / year Maximum	
<b>Frequency Stability</b>	Vs. Operating Temperature	See Table 1 Above.
	Vs. Inpput Voltage (±5%)	±0.3ppm Maximum
	Vs. Load (±2kOhms // ±2pF)	±0.3ppm Maximum
<b>Input Current</b>	9.600MHz to 20.000MHz	1.5mA Maximum
	20.001MHz to 29.999MHz	2.0mA Maximum
	30.000MHz to 35.000MHz	3.0mA Maximum

**MECHANICAL DIMENSIONS**

**Marking Guide on page F3-F4**



Pin 1: Control Voltage (Not present when Control Voltage is specified as "No Connect")  
Pin 7: Case Ground

Pin 8: Output  
Pin 14: Supply Voltage