

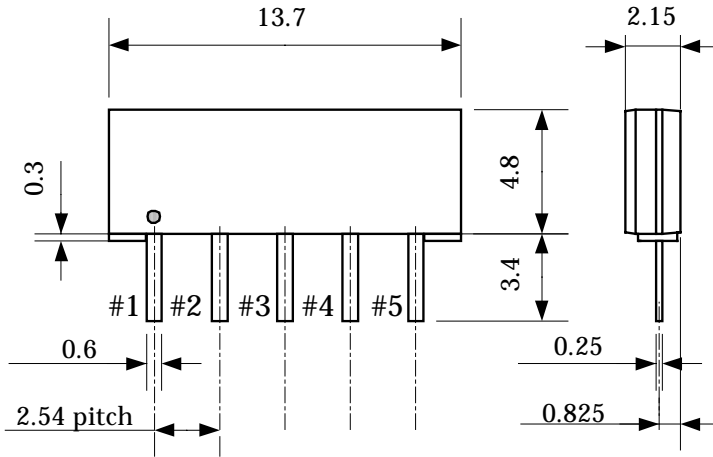
Customer Name	Standard specification	FUJITSU MEDIA DEVICES LIMITED	
Application	IF Filter for Terrestrial-TV		
System	America		
Picture Carrier Frequency	44.00 MHz	DATE	June 21, 2005
FMD Part Number	FAR-F4SE-44M000-H0A6	Version	2.1

Items	Conditions	Specification			Unit	Remarks
		Min.	Typ.	Max.		
Insertion Loss	44.00 MHz	8.6	10.1	11.6	dB	
Relative level	35.00 ~ 40.00 MHz	-	- 50	- 45	dB	
	40.00 ~ 41.80 MHz	-	- 41	- 35	dB	
	43.00 MHz	-	-0.5	-	dB	
	44.00 MHz	-	0	-	dB	Reference
	45.00 MHz	-	- 0.6	-	dB	
	46.20 ~ 49.50 MHz	-	- 40	- 35	dB	
	49.50 ~ 55.00 MHz	-	- 47	- 41	dB	
Amplitude ripple (p-p)	43.00 ~ 45.00 MHz	-	0.6	-	dB	
Group delay ripple (p-p)	43.00 ~ 45.00 MHz	-	25	-	ns	
Input Capacitance	Cin	-	16.3	-	pF	at 1MHz
Output Capacitance	Cout	-	3.4	-	pF	at 1MHz
Temperature coefficient		-	-72	-	ppm/°C	

Table 1 Proposal Specification (Ta=25°C)

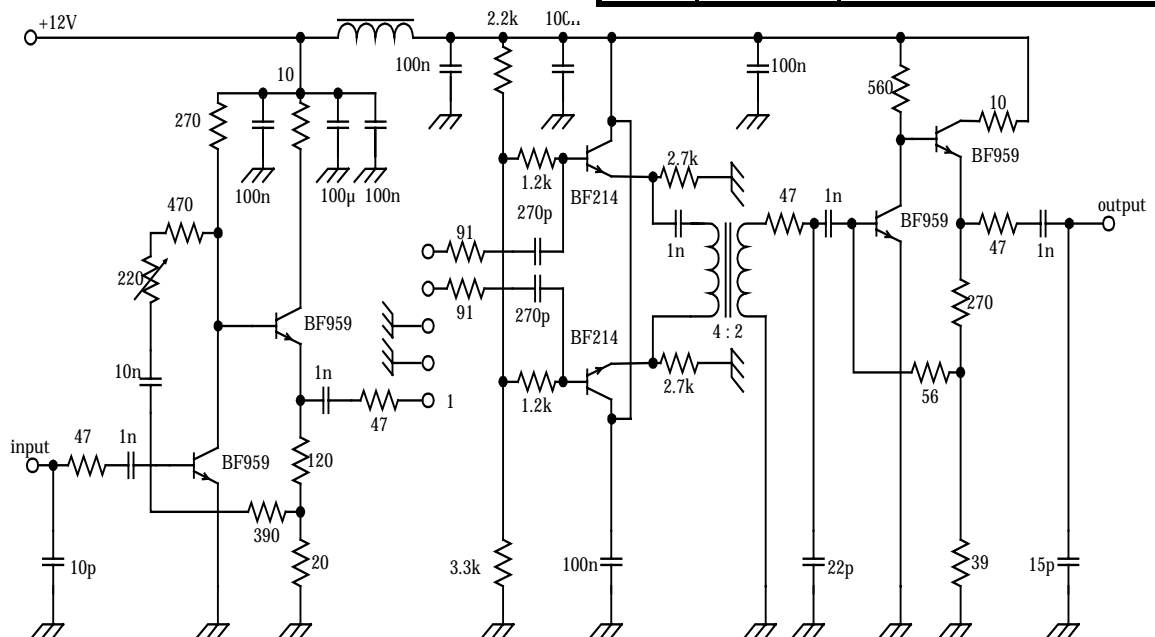
Customer Name	Standard specification	FUJITSU MEDIA DEVICES LIMITED	
Application	IF Filter for Terrestrial-TV		
System	America		
Picture Carrier Frequency	44.00 MHz	DATE	June 21, 2005
FMD Part Number	FAR-F4SE-44M000-H0A6	Version	2.1

1. Pin assignment of plastics Package



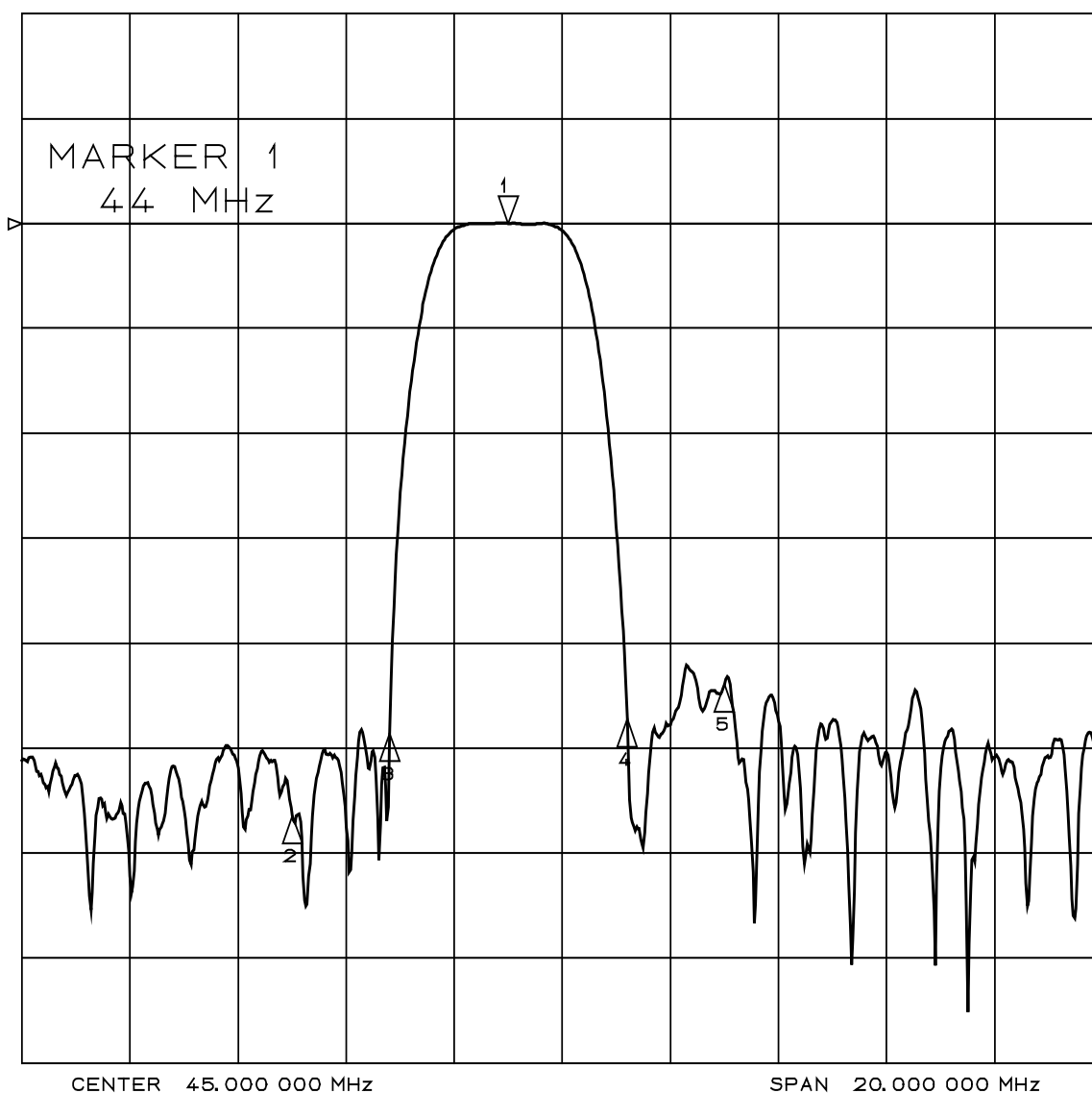
Pin No.	Pin name	Description
1	IN	input pin
2	IN	input pin (Ground)
3	GND	Ground pin
4	OUT	output pin
5	OUT	output pin

2. Measurement circuit



Customer Name	Standard specification	FUJITSU MEDIA DEVICES LIMITED	
Application	IF Filter for Terrestrial-TV		
System	America		
Picture Carrier Frequency	44.00 MHz	DATE	June 21, 2005
FMD Part Number	FAR-F4SE-44M000-H0A6	Version	2.1

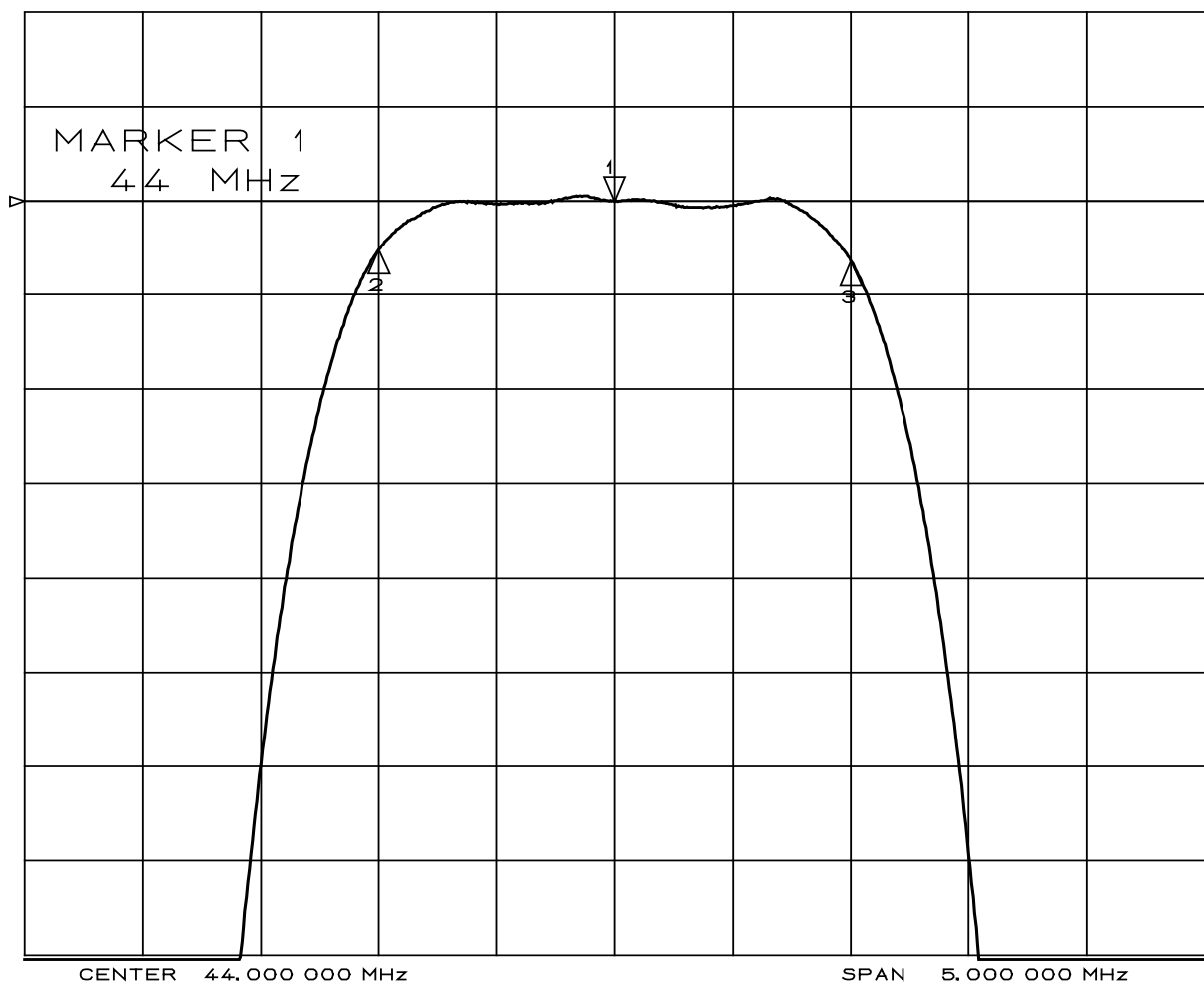
Amplitude Response (10dB/div)



- Marker1 : 44.00 MHz
- Marker2 : 40.00 MHz
- Marker3 : 41.80 MHz
- Marker4 : 46.20 MHz
- Marker5 : 48.00 MHz

Customer Name	Standard specification	FUJITSU MEDIA DEVICES LIMITED	
Application	IF Filter for Terrestrial-TV		
System	America		
Picture Carrier Frequency	44.00 MHz	DATE	June 21, 2005
FMD Part Number	FAR-F4SE-44M000-H0A6	Version	2.1

Amplitude Response (1dB/div)

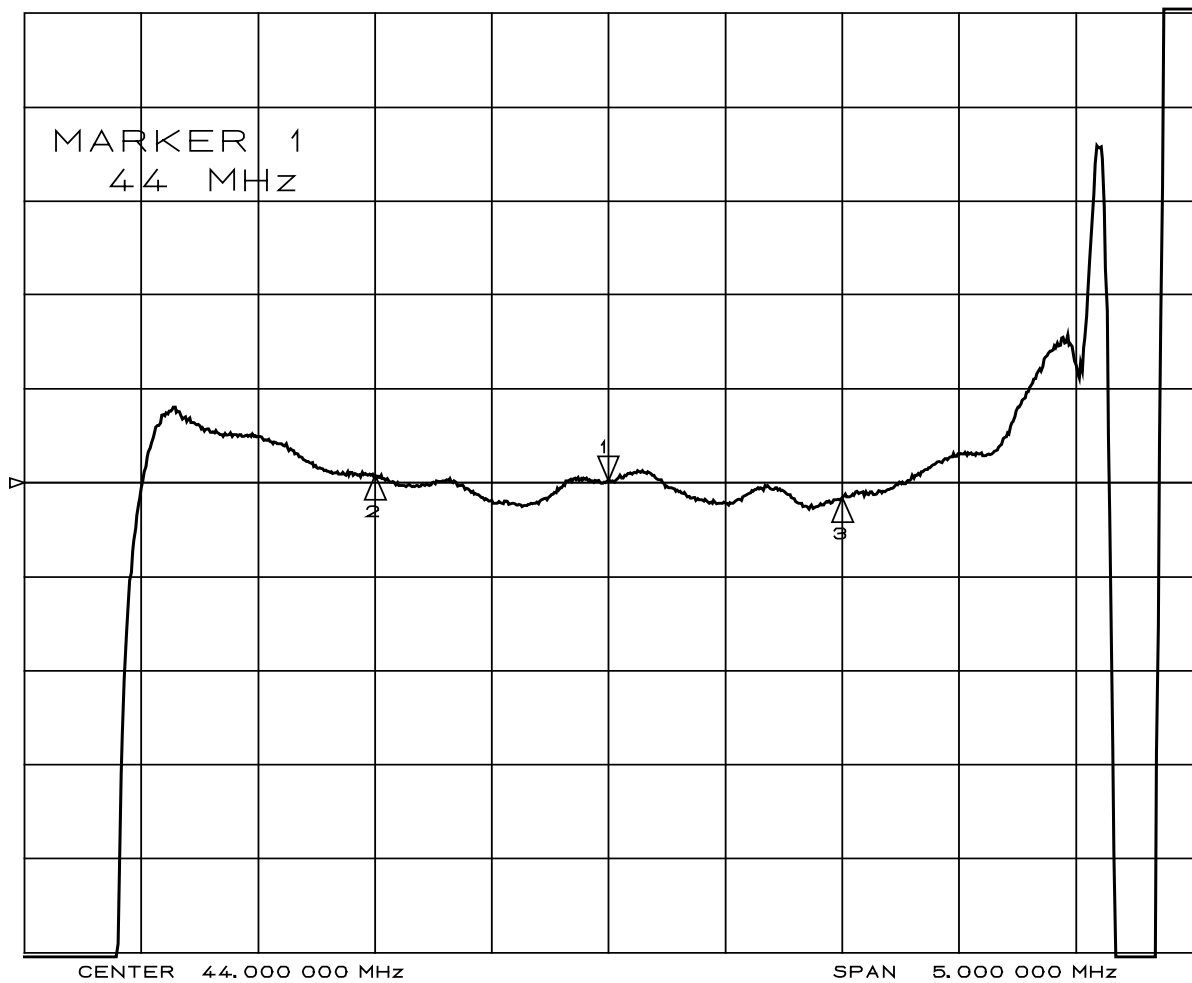


Marker1 : 44.00 MHz
 Marker2 : 43.00 MHz
 Marker3 : 45.00 MHz

Customer Name	Standard specification	FUJITSU MEDIA DEVICES LIMITED	
Application	IF Filter for Terrestrial-TV		
System	America		
Picture Carrier Frequency	44.00 MHz	DATE	June 21, 2005
FMD Part Number	FAR-F4SE-44M000-H0A6	Version	2.1

Group Delay (50ns/div)

Delay Aper.=200kHz



Marker1 : 44.00 MHz

Marker2 : 43.00 MHz

Marker3 : 45.00 MHz