

Description

The CXG1235XR is an SP5T antenna switch.

On chip logic reduces component count and simplifies PCB layout by allowing direct connection of the switch to digital baseband control lines with the CMOS logic levels. It requires 3 CMOS control lines.

The Sony GaAs JPHEMT MMIC Process is used for low insertion loss.

Features

- ◆ Insertion loss: 0.40dB (Typ.) @960MHz
0.50dB (Typ.) @2170MHz
- ◆ Lead-Free and RoHS compliant

Package

Small package size: 16-pin XQFN (2.3mm × 2.3mm × 0.35mm) (Typ.)

Structure

GaAs JPHEMT MMIC

Absolute Maximum Ratings

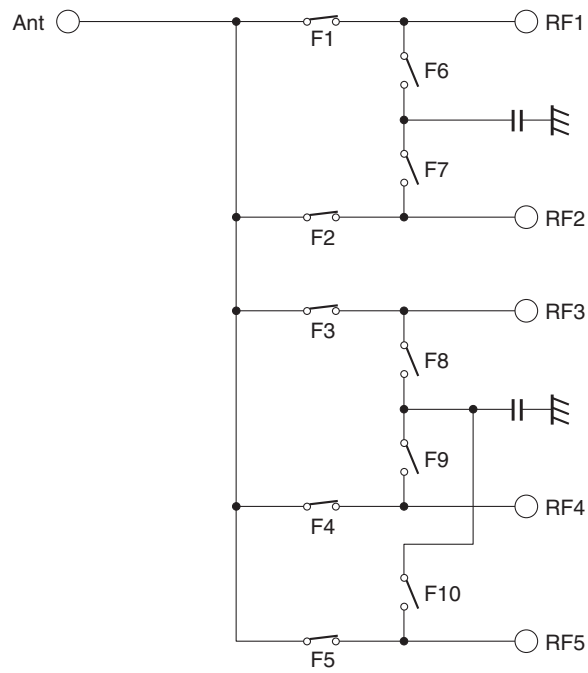
◆ Bias voltage	V _{DD}	7	V	(Ta = 25°C)
◆ Control voltage	V _{ctl}	5	V	(Ta = 25°C)
◆ Input power max.		27	dBm	(824 to 915MHz, Ta = 25°C)
◆ Input power max.		24	dBm	(1710 to 1980MHz, Ta = 25°C)
◆ Operating temperature		-35 to +85	°C	
◆ Storage temperature		-65 to +150	°C	
◆ Allowable power dissipation	P _D	100	mW	*1

*1 25mm × 25mm × t: 0.8mm, Mounted on standard board (FR-4)

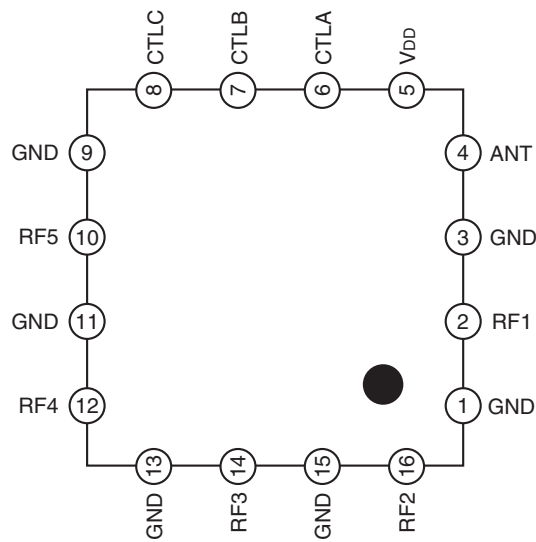
This IC is ESD sensitive device. Special handling precautions are required.

Sony reserves the right to change products and specifications without prior notice. This information does not convey any license by any implication or otherwise under any patents or other right. Application circuits shown, if any, are typical examples illustrating the operation of the devices. Sony cannot assume responsibility for any problems arising out of the use of these circuits.

Block Diagram



Pin Configuration



16-pin XQFN
2.3mm × 2.3mm × 0.35mm (Typ.)

Truth Table

Port	A	B	C	F1	F2	F3	F4	F5	F6	F7	F8	F9	F10
ANT – RF1	H	L	H	ON	OFF	OFF	OFF	OFF	OFF	ON	ON	ON	ON
ANT – RF2	H	H	L	OFF	ON	OFF	OFF	OFF	ON	OFF	ON	ON	ON
ANT – RF3	H	L	L	OFF	OFF	ON	OFF	OFF	ON	ON	OFF	ON	ON
ANT – RF4	L	L/H	L	OFF	OFF	OFF	ON	OFF	ON	ON	ON	OFF	ON
ANT – RF5	L	L/H	H	OFF	OFF	OFF	OFF	ON	ON	ON	ON	ON	OFF

DC Bias Condition

(Ta = +25°C)

Item	Min.	Typ.	Max.	Unit
Vctl (H)	1.5	1.8	3.6	V
Vctl (L)	0	—	0.3	
VDD	2.6	2.8	3.6	

Electrical Characteristics

(Ta = +25°C, V_{DD} = 2.8V, V_{ctl} = 0V/1.8V)

Item	Symbol	Port	Condition	Min.	Typ.	Max.	Unit
Insertion loss	IL	Ant – RF1, 2, 3, 4, 5	*1	—	0.40	0.55	dB
			*2	—	0.50	0.65	
VSWR	VSWR		869 to 2170MHz	—	1.2	1.5	—
Harmonics	2fo	Ant – RF1, 2, 3, 4, 5	*3	—	–50	–35	dBm
	3fo			—	–45	–35	
	2fo		*4	—	–50	–35	
	3fo			—	–50	–35	
IMD2	IMD2	Ant – RF1, 2, 3, 4, 5	*5	—	–94	–84	dBm
Input IP2	IIP2			89	99	—	dBm
IMD3	IMD3	Ant – RF1, 2, 3, 4, 5	*6	—	–91	–81	dBm
Input IP3	IIP3			53	58	—	dBm
Control current	I _{ctl}		V _{ctl} = 1.8V	—	10	25	μA
Supply current	I _{dd}		V _{DD} = 2.8V (state: HLH)	—	160	260	μA
Switching speed	S _{wt}		50% Ctl to 90% RF	—	3	6	μs

Electrical characteristics are measured with all RF ports terminated in 50Ω.

- *1 Power incident on Ant, Pin = 0dBm, 869 to 960MHz.
- *2 Power incident on Ant, Pin = 0dBm, 1805 to 2170MHz.
- *3 Power incident on RFx, Pin = 24dBm, 824 to 915MHz.
- *4 Power incident on RFx, Pin = 21dBm, 1710 to 1980MHz.
- *5 Pin = 20dBm, F_{tx} = 1950MHz, P_{Blocker} = –15dBm, F_{Blocker} = 190MHz, F_{im} = 2140MHz, IIP2 = Pin + (P_{Blocker} – IMD2)
- *6 Pin = 20dBm, F_{tx} = 1950MHz, P_{Blocker} = –15dBm, F_{Blocker} = 1760MHz, F_{im} = 2140MHz, IIP3 = Pin + (P_{Blocker} – IMD3)/2

(Ta = +25°C, VDD = 2.8V, Vctl = 0V/1.8V)

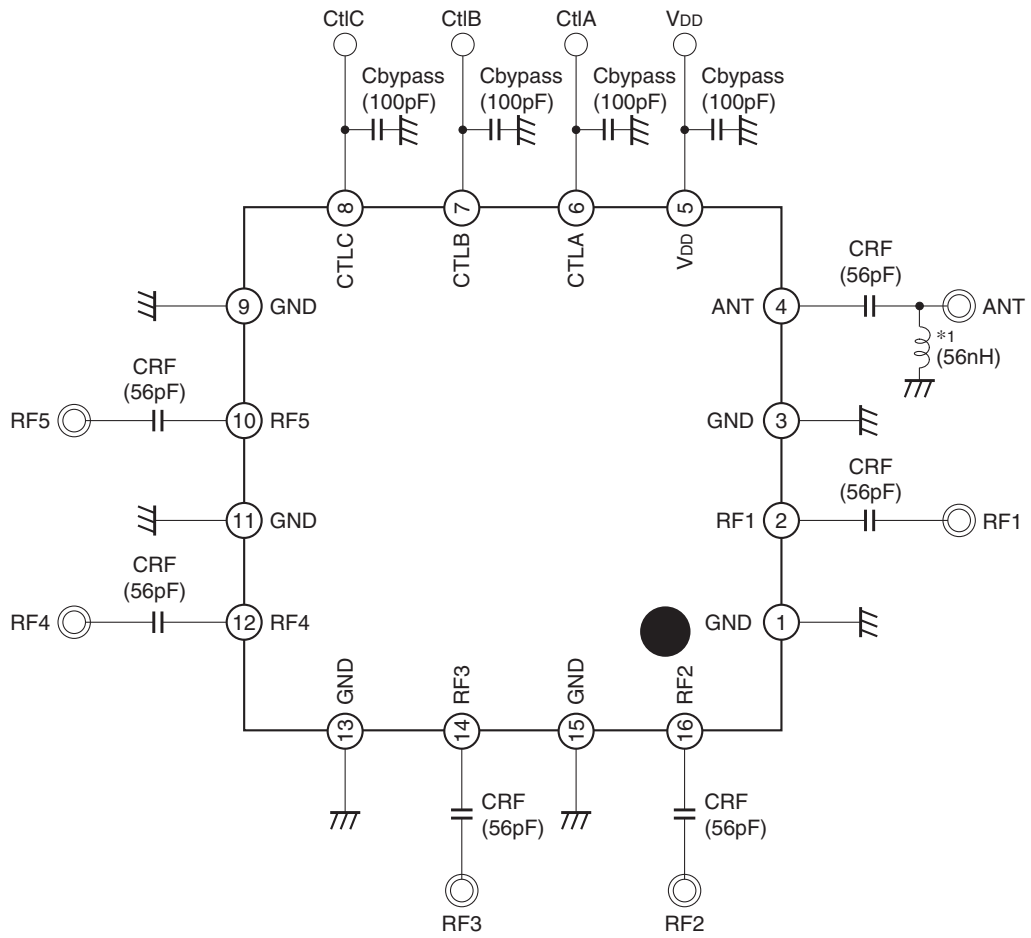
Item	Symbol	Port		Condition	Min.	Typ.	Max.	Unit
		Active	Port					
Isolation	ISO.	RF1	Ant – RF2	*1	20	35	—	dB
			Ant – RF3		20	33	—	
			Ant – RF4		20	33	—	
			Ant – RF5		20	33	—	
			Ant – RF2	*2	20	32	—	
			Ant – RF3		20	38	—	
			Ant – RF4		20	34	—	
			Ant – RF5		20	31	—	
		RF2	Ant – RF1	*1	20	31	—	
			Ant – RF3		20	35	—	
			Ant – RF4		20	32	—	
			Ant – RF5		20	31	—	
			Ant – RF1	*2	20	24	—	
			Ant – RF3		20	40	—	
			Ant – RF4		20	33	—	
			Ant – RF5		20	29	—	
		RF3	Ant – RF1	*1	20	30	—	
			Ant – RF2		20	35	—	
			Ant – RF4		20	34	—	
			Ant – RF5		20	30	—	
			Ant – RF1	*2	20	26	—	
			Ant – RF2		20	36	—	
			Ant – RF4		20	28	—	
			Ant – RF5		20	24	—	
		RF4	Ant – RF1	*1	20	31	—	
			Ant – RF2		20	35	—	
			Ant – RF3		20	32	—	
			Ant – RF5		20	32	—	
			Ant – RF1	*2	20	27	—	
			Ant – RF2		20	42	—	
			Ant – RF3		20	28	—	
			Ant – RF5		20	28	—	
		RF5	Ant – RF1	*1	20	31	—	
			Ant – RF2		20	35	—	
			Ant – RF3		20	31	—	
			Ant – RF4		20	34	—	
			Ant – RF1	*2	20	27	—	
			Ant – RF2		20	40	—	
			Ant – RF3		20	32	—	
			Ant – RF4		20	35	—	

Electrical characteristics are measured with all RF ports terminated in 50Ω.

*1 Power incident on Ant, Pin = 0dBm, 869 to 960MHz.

*2 Power incident on Ant, Pin = 0dBm, 1805 to 2170MHz.

Recommended Circuit



When using this IC, the following external components should be used:

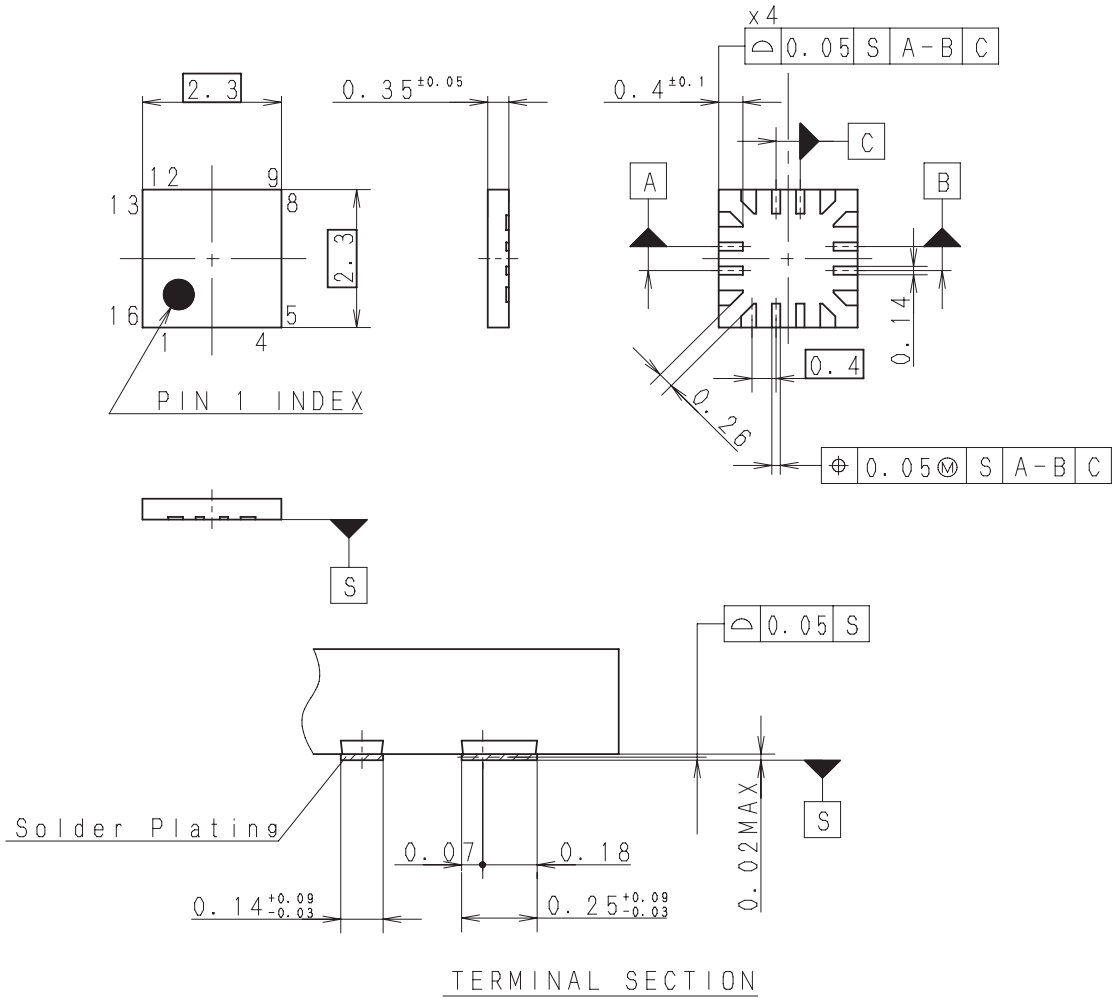
- CRF: This capacitor is used for RF decoupling and must be used all applications.
- Cbypass: This capacitor is used for DC line filtering. 100pF is recommended.

*1 Inductor (56nH) is recommended on Ant port for ESD protection.
Capacitors are required on all RF ports for DC blocking.

Package Outline

(Unit: mm)

16 PIN XQFN (PLASTIC)



Note:Cutting burr of lead are 0.05mm MAX.

PACKAGE STRUCTURE

SONY CODE	XQFN-16P-01
JEITA CODE	—
JEDEC CODE	—

PACKAGE MATERIAL	EPOXY RESIN
TERMINAL TREATMENT	SOLDER PLATING
TERMINAL MATERIAL	COPPER ALLOY
PACKAGE MASS	0.01g

AP-4000-16033BS Rev. 0

LEAD PLATING SPECIFICATIONS

ITEM	SPEC.
LEAD MATERIAL	COPPER ALLOY
SOLDER COMPOSITION	Sn-Bi Bi:1-4wt%
PLATING THICKNESS	5-18µm