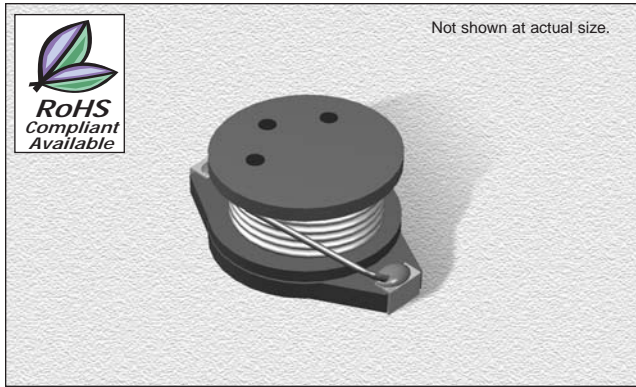


# CTDO5022 Series

From 1.0  $\mu\text{H}$  to 1,000  $\mu\text{H}$

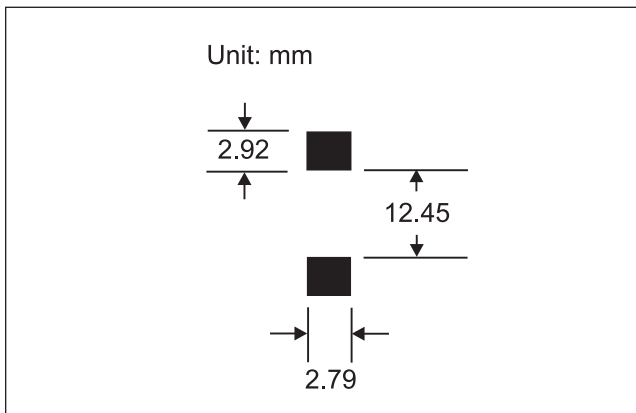
## ENGINEERING KIT #11



### CHARACTERISTICS

- Description:** SMD power inductor
- Applications:** DC/DC converters, computers, LCD displays, telecommunication equipment and PDA palm tops. Designed for the higher current requirements of portable computers
- Operating Temperature:** -40°C to +85°C
- Inductance Tolerance:**  $\pm 20\%$
- Inductance Drop:** 10% typically at  $I_{\text{sat}}$
- Testing:** Inductance is tested on an HP4285A at 100 kHz
- Packaging:** Tape & Reel
- Marking:** Color dots OR Inductance code
- Miscellaneous:** RoHS Compliant available
- Additional Information:** Additional electrical & physical information available upon request
- Samples available. See website for ordering information.**

### PAD LAYOUT



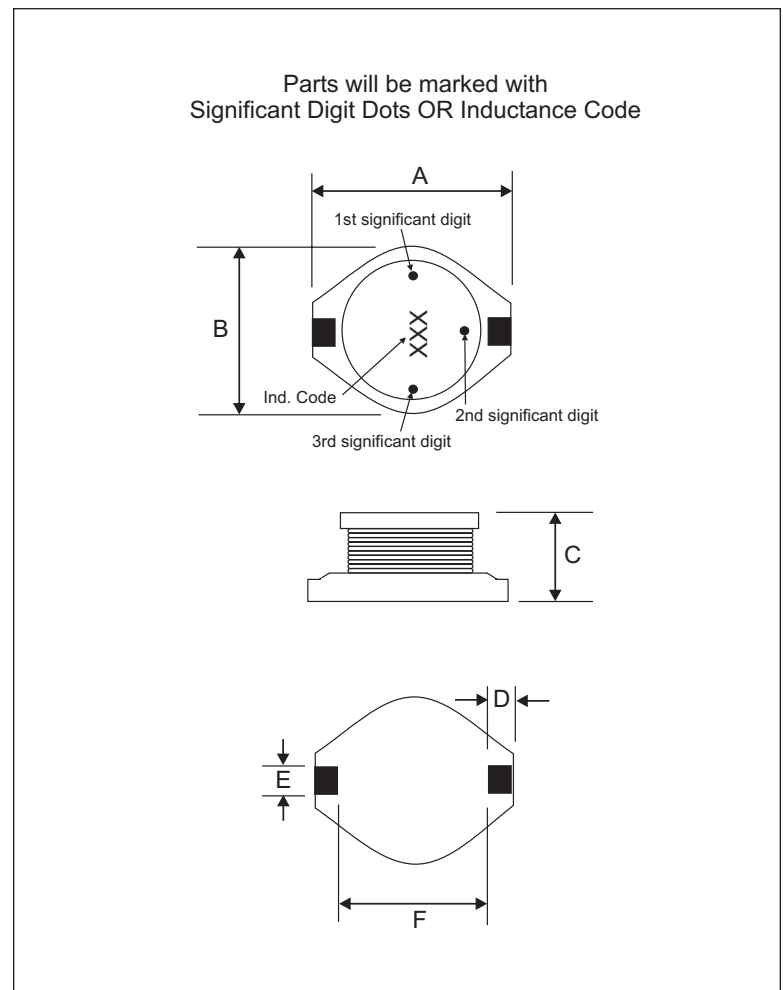
### SPECIFICATIONS

Parts are available in  $\pm 20\%$  inductance tolerance only.  
CTDO5022PE Please specify "F" for RoHS Compliant

Part Number	Inductance ( $\mu\text{H}$ )	L Test Freq. (kHz)	SRF Typ. (MHz)	DCR $\pm 15\%$ ( $\Omega$ )	$I_{\text{sat}}$ (A)	$I_{\text{rms}}$ (A)
CTDO5022P_-102	1.0	100	80	.011	20	8.6
CTDO5022P_-222	2.2	100	80	.014	16	7.1
CTDO5022P_-332	3.3	100	60	.016	14	6.2
CTDO5022P_-562	5.6	100	40	.022	12	5.3
CTDO5022P_-103	10	100	30	.032	10	4.3
CTDO5022P_-153	15	100	22	.036	8.0	4.0
CTDO5022P_-223	22	100	20	.047	7.0	3.5
CTDO5022P_-333	33	100	15	.066	5.5	3.0
CTDO5022P_-473	47	100	9	.087	4.5	2.6
CTDO5022P_-683	68	100	8	.13	3.5	2.3
CTDO5022P_-104	100	100	7	.19	3.0	1.8
CTDO5022P_-154	150	100	6	.25	2.6	1.5
CTDO5022P_-224	220	100	5	.38	2.4	1.2
CTDO5022P_-334	330	100	4	.56	1.9	1.0
CTDO5022P_-474	470	100	3	.85	1.4	.82
CTDO5022P_-684	680	100	2.5	1.2	1.2	.72
CTDO5022P_-105	1000	100	2	1.8	1.0	.56

### PHYSICAL DIMENSIONS

Size	A Max.	B Max.	C Max.	D	E	F
mm	18.54	15.24	7.11	2.54	2.54	12.7
inches	0.73	0.6	0.28	0.1	0.1	0.5



02.02.06



Manufacturer of Inductors, Chokes, Coils, Beads, Transformers & Toroids

800-684-5322 Inside US 949-453-1811 Outside US

Copyright © 2006 by CT Magnetics, DBA Central Technologies. All rights reserved.

CT Magnetics reserves the right to make improvements or change specifications without notice