

LCD Segment Driver series

# Standard function Segment Drivers


**BU9795AKV, BU9795AFV, BU9795AGUW**

No.09044EBT01

## ●Description

This is LCD segment driver for 140 segment type display. There is a lineup which is suitable for multi function display and is integrated display RAM and power supply circuit for LCD driving with 4 common output type: BU9795AKV/FV/GUW.

## ●Features

- 1) 3wire serial interface (CSB, SD, SCL)
- 2) Integrated RAM for display data (DDRAM) : 35 × 4bit (Max 140 Segment)
- 3) LCD driving port: 4 Common output,  
Segment: 35output (BU9795AKV), 31output (BU9795AGUW), 27output (BU9795AFV)
- 4) Display duty: 1/4 duty
- 5) Integrated Buffer AMP for LCD driving power supply
- 6) 1/2bias, 1/3bias selectable
- 7) No external components
- 8) Low power/ Ultra low power consumption design: +2.5~5.5V

## ●Applications

Telephone, FAX, Portable equipment (POS, ECR, PDA etc.),  
DSC, DVC, Car audio, Home electrical appliance, Meter equipment etc.

## ●Line up matrix

Parameter	BU9795AKV	BU9795AFV	BU9795AGUW
Segment output	35	27	31
Common output	4	4	4
Package	VQFP48C	SSOP-B40	VBGA048W040

● **Absolute maximum ratings** (Ta=25degree, VSS=0V)

Parameter	Symbol	Limits	Unit	Remark
Power supply voltage1	VDD	-0.5 ~ +7.0	V	Power supply
Power supply voltage2	VLCD	-0.5 ~ VDD	V	LCD drive voltage
Allowable loss	Pd	0.6	W	When use more than Ta=25°C, subtract 6mW per degree.(BU9795AKV)
		0.7	W	When use more than Ta=25°C, subtract 7mW per degree (BU9795AFV)
		0.27	W	When use more than Ta=25°C, subtract 2.7mW per degree (BU9795AGUW)
Input voltage range	VIN	-0.5 ~ VDD+0.5	V	
Operational temperature range	Topr	-40 ~ +85	degree	
Storage temperature range	Tstg	-55 ~ +125	degree	

\*This product is not designed against radioactive ray.

● **Operating conditions** (Ta=25degree,VSS=0V)

Parameter	Symbol	Min.	Typ.	Max.	Unit	Remark
Power Supply voltage1	VDD	2.5	-	5.5	V	Power supply
Power Supply voltage2	VLCD	0	-	VDD-2.4	V	LCD drive voltage

\* Please use  $VDD-VLCD \geq 2.4V$  condition.

●Electrical characteristics

DC Characteristics (VDD=2.5~5.5V, VSS=0V, Ta=-40~85degree, unless otherwise specified)

Parameter	Symbol	Limit			Unit	Condition	
		MIN	TYP	MAX			
“H” level input voltage	VIH	0.7VDD	-	VDD	V		
“L” level input voltage	VIL	VSS	-	0.3VDD	V		
“H” level input current	I <sub>IH</sub>	-	-	1	uA		
“L” level input current	I <sub>IL</sub>	-1	-	-	uA		
LCD Driver on resistance	SEG	RON	-	3.5	-	kΩ	I <sub>load</sub> =±10uA
	COM	RON	-	3.5	-	kΩ	
VLCD supply voltage	VLCD	0	-	VDD -2.4	V	VDD-VLCD≥2.5V	
Standby current	I <sub>st</sub>	-	-	5	uA	Display off, Oscillator off	
Power consumption 1	IDD1	-	12.5	30	uA	VDD=3.3[V], Ta=25, Power save mode1, FR=70Hz 1/3 bias, Frame inverse	
Power consumption 2	IDD2	-	20	40	uA	VDD=3.3[V], Ta=25, Normal mode, FR=80Hz 1/3 bias, Line inverse	

● Oscillation Characteristics

(VDD=2.5~5.5V, VSS=0V, Ta=-40~85degree)

Parameter	Symbol	Limit			Unit	Condition
		MIN	TYP	MAX		
Frame frequency	f <sub>CLK</sub>	56	80	104	Hz	FR = 80Hz setting
Frame frequency1	f <sub>CLK1</sub>	70	80	90	Hz	VDD=3.5V, 25degree

● MPU interface Characteristics

(VDD=2.5V~5.5V, VSS=0V, Ta=-40~85degree)

Parameter	Symbol	Limit			Unit	Condition
		MIN	TYP	MAX		
Input rise time	t <sub>r</sub>	-	-	80	ns	
Input fall time	t <sub>f</sub>	-	-	80	ns	
SCL cycle time	t <sub>SCYC</sub>	400	-	-	ns	
“H” SCL pulse width	t <sub>SHW</sub>	100	-	-	ns	
“L” SCL pulse width	t <sub>SLW</sub>	100	-	-	ns	
SD setup time	t <sub>SDS</sub>	20	-	-	ns	
SD hold time	t <sub>SDH</sub>	50	-	-	ns	
CSB setup time	t <sub>CSS</sub>	50	-	-	ns	
CSB hold time	t <sub>CSH</sub>	50	-	-	ns	
“H” CSB pulse width	t <sub>CHW</sub>	50	-	-	ns	

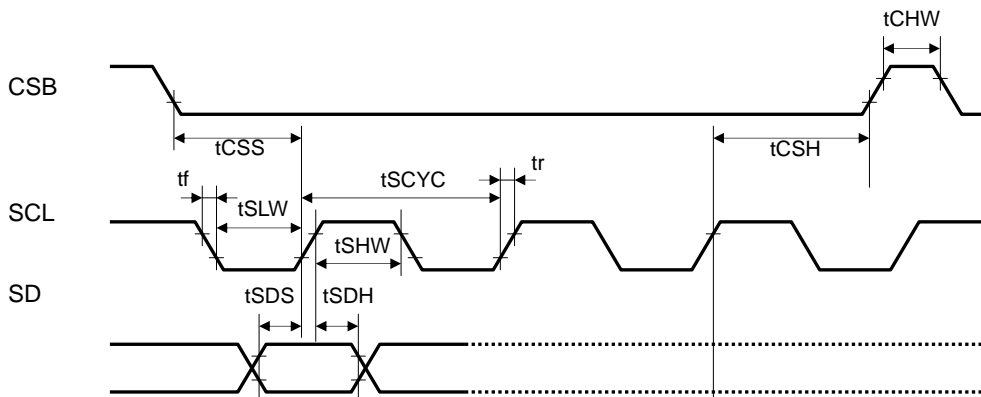


Fig.1 3wire Serial timing waveform

\* BU9795AKV

● Block Diagram

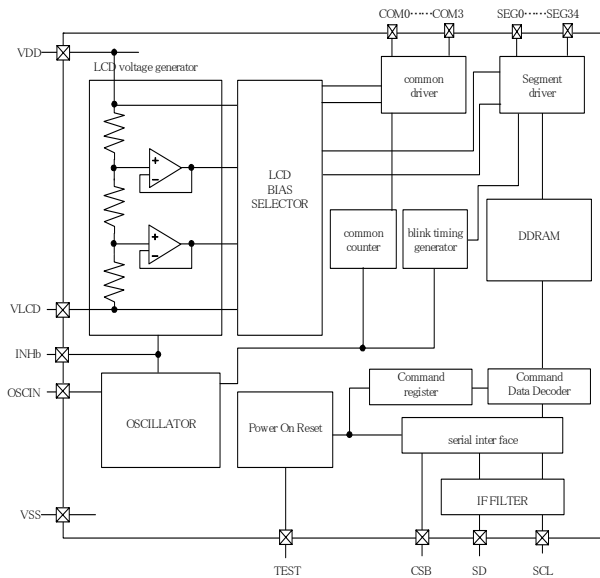


Fig. 2A  
BU9795AKV Block diagram

● Pin Arrangement

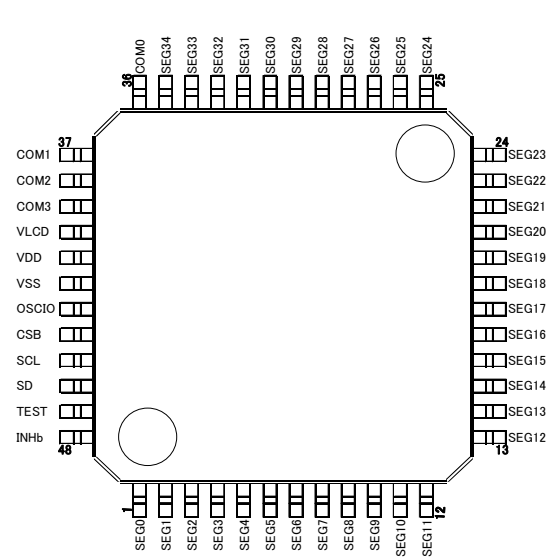


Fig. 3A  
BU9795AKV Pin arrangement

● Terminal description

Terminal	Terminal No.	I/O	Function
INHb	48	I	Input terminal for turn off display H: turn on display L: turn off display
TEST	47	I	Test input (ROHM use only) Must be connect to VSS
OSCIO	43	I	External clock input Ex clock and Int clock can be changed by command. Must be connect to VSS when use internal oscillation circuit.
SD	46	I	serial data input
SCL	45	I	serial data transfer clock
CSB	44	I	Chip select : "L" active
VSS	42		GND
VDD	41		Power supply
VLCD	40		Power supply for LCD driving
SEG0-34	1-35	O	SEGMENT output for LCD driving
COM0-3	36-39	O	COMMON output for LCD driving

\* BU9795AFV

● Block Diagram

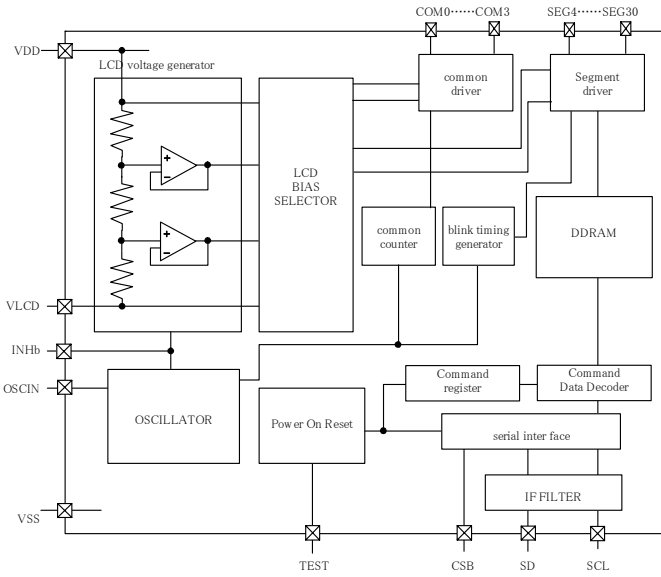


Fig. 2B  
BU9795AFV Block diagram

● Pin Arrangement

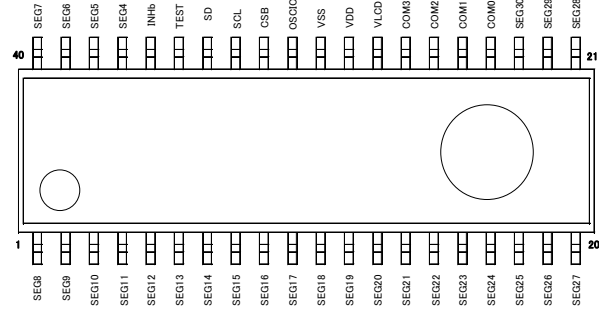


Fig. 3B  
BU9795AFV Pin arrangement

● Terminal description

Terminal	Terminal No.	I/O	Function
INHb	36	I	Input terminal for turn off display H: turn on display L: turn off display
TEST	35	I	Test input (ROHM use only) Must be connect to VSS
OSCIO	31	I	External clock input Ex clock and Int clock can be changed by command. Must be connect to VSS when use internal oscillation circuit.
SD	34	I	serial data input
SCL	33	I	serial data transfer clock
CSB	32	I	Chip select : "L" active
VSS	30		GND
VDD	29		Power supply
VLCD	28	I	Power supply for LCD driving
SEG4-30	1-23, 37-40	O	SEGMENT output for LCD driving
COM0-3	24-27	O	COMMON output for LCD driving

\* BU9795AGUW

● Block Diagram

● Pin Arrangement

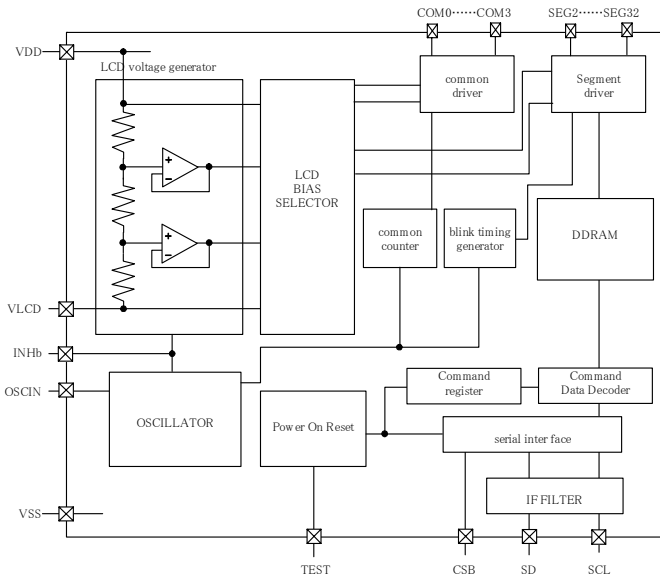


Fig. 2C  
BU9795AGUW Block diagram

	1	2	3	4	5	6	7
G	(NC)	SEG13	SEG15	SEG18	SEG20	SEG22	(NC)
F	SEG11	SEG12	SEG16	SEG17	SEG21	SEG23	SEG24
E	SEG9	SEG10	SEG14	SEG19	SEG25	SEG27	SEG28
D	SEG7	SEG6	SEG8	SEG5	SEG30	SEG28	SEG29
C	SEG4	SEG3	SEG2	CSB	COM3	SEG32	SEG31
B	X	INHb	SD	VSS	VDD	COM1	COM0
A	(NC)	TEST2	SCL	OSCIO	VLCD	COM2	(NC)

Fig. 3C  
BU9795AGUW Pin arrangement

● Terminal description

Terminal	I/O	Function
INHb	I	Input terminal for turn off display H: turn on display L: turn off display
TEST	I	Test input (ROHM use only) Must be connect to VSS
OSCIO	I	External clock input Ex clock and Int clock can be changed by command. Must be connect to VSS when use internal oscillation circuit.
SD	I	serial data input
SCL	I	serial data transfer clock
CSB	I	Chip select : "L" active
VSS		GND
VDD		Power supply
VLCD	I	Power supply for LCD driving
SEG2-32	O	SEGMENT output for LCD driving
COM0-3	O	COMMON output for LCD driving

(Caution) About terminal number, please refer to above pin arrangement

●Command Description

D7 (MSB) is bit for command or data judgment.  
Refer to Command and data transfer method.

C: 0: Next byte is RAM write data.  
1: Next byte is command.

○ Mode Set (MODE SET)

MSB							LSB	
D7	D6	D5	D4	D3	D2	D1	D0	
C	1	0	*	P3	P2	*	*	(*:Don't care)

Set display ON and OFF

Setting	P3	Reset initialize condition
Display OFF (DISPOFF)	0	○
Display ON (DISPON)	1	

Set bias level

Setting	P2	Reset initialize condition
1/3 Bias	0	○
1/2 Bias	1	

○ Address set (ADSET)

MSB							LSB	
D7	D6	D5	D4	D3	D2	D1	D0	
C	0	0	P4	P3	P2	P1	P0	

Address data is specified in P[4:0] and P2 (ICSET command) as follows.

	MSB			LSB
Internal register	Address [5]	Address [4]	· · ·	Address [0]
Bit of each command	ICSET [P2]	ADSET [P4]	· · ·	ADSET [P0]

○ **Display control (DISCTL)**

MSB				LSB			
D7	D6	D5	D4	D3	D2	D1	D0
C	0	1	P4	P3	P2	P1	P0

Set Frame frequency

Setting	P4	P3	Reset initialize condition
80Hz	0	0	○
71Hz	0	1	
64Hz	1	0	
53Hz	1	1	

Set LCD drive waveform

Setting	P2	Reset initialize condition
Line inversion	0	○
Frame inversion	1	

Set Power save mode

Setting	P1	P0	Reset initialize condition
Power save mode 1	0	0	
Power save mode 2	0	1	
Normal mode	1	0	○
High power mode	1	1	

\* VDD-VLCD>=3.0V is required for High power mode.

○ **Set IC Operation (ICSET)**

MSB				LSB			
D7	D6	D5	D4	D3	D2	D1	D0
C	1	1	0	1	P2	P1	P0

P2: MSB data of DDRAM address. Please refer to "ADSET" command.

Setting	P2	Reset initialize condition
Address MSB'0'	0	○
Address MSB'1'	1	

Set Software Reset condition

Setting	P1
No operation	0
Software Reset	1

Switch between internal clock and external clock.

Setting	P0	Reset initialize condition
Internal clock	0	○
External clock input	1	



○ **Blink control (BLKCTL)**

MSB						LSB	
D7	D6	D5	D4	D3	D2	D1	D0
C	1	1	1	0	*	P1	P0

Set blink condition

Setting	P1	P0	Reset initialize condition
OFF	0	0	○
0.5 Hz	0	1	
1 Hz	1	0	
2 Hz	1	1	

○ **All pixel control (APCTL)**

MSB						LSB	
D7	D6	D5	D4	D3	D2	D1	D0
C	1	1	1	1	1	P1	P0

All display set ON. OFF

Setting	P1	Reset initialize condition
Normal	0	○
All pixel ON	1	

Setting	P0	Reset initialize condition
Normal	0	○
All pixel OFF	1	

●Function description

○ Command and data transfer method

○ 3-SPI (3wire Serial interface)

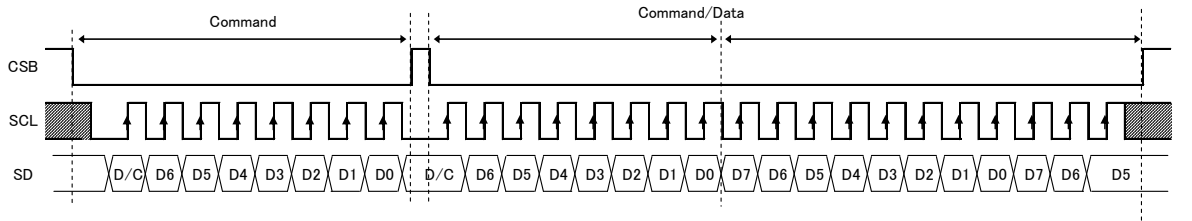
This device is controlled by 3-wire signal (CSB, SCL, and SD).

First, Interface counter is initialized with CSB="H", and CSB="L" makes SD and SCL input enable.

The protocol of 3-SPI transfer is as follows.

Each command starts with Command or Data judgment bit (D/C) as MSB data, and continuously in order of D6 to D0 are followed after CSB = "L".

(Internal data is latched at the rising edge of SCL, it converted to 8bits parallel data at the falling edge of 8<sup>th</sup> CLK.)



D/C = "H" : Command D/C = "L" : Data

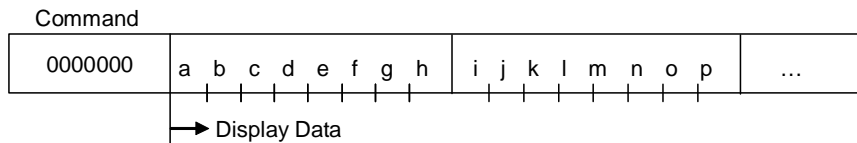
Fig. 4 3-SPI Command/Data transfer format

○Write display data and transfer method

\* BU9795AKV

This LSI have Display Data RAM (DDRAM) of 35x4=140bit.

The relationship between data input and display data, DDRAM data and address are as follows.



8 bit data will be stored in DDRAM. The address to be written is the address specified by Address set command, and the address is automatically incremented in every 4bit data.

Data can be continuously written in DDRAM by transmitting Data continuously.

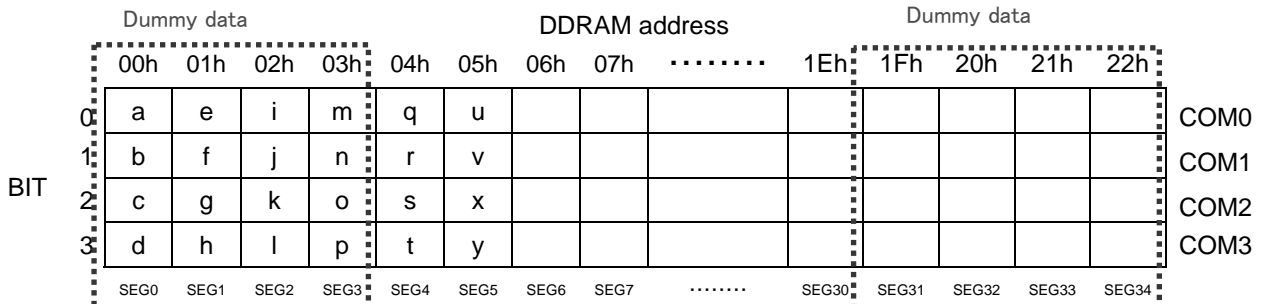
(When RAM data is written successively after writing RAM data to 22h (SEG34), the address is returned to 00h (SEG0) by the auto-increment function.)

		DDRAM address															
		00h	01h	02h	03h	04h	05h	06h	07h	.....	1Eh	1Fh	20h	21h	22h		
BIT	0	a	e	i	m	q	u									COM0	
	1	b	f	j	n	r	v									COM1	
	2	c	g	k	o	s	x									COM2	
	3	d	h	l	p	t	y									COM3	
		SEG0	SEG1	SEG2	SEG3	SEG4	SEG5	SEG6	SEG7	.....	SEG30	SEG31	SEG32	SEG33	SEG34		

As data transfer to DDRAM happens every 4bit data, it will be cancelled if it changes CSB="L"→"H" before 4bits data transfer.

\* BU9795AFV

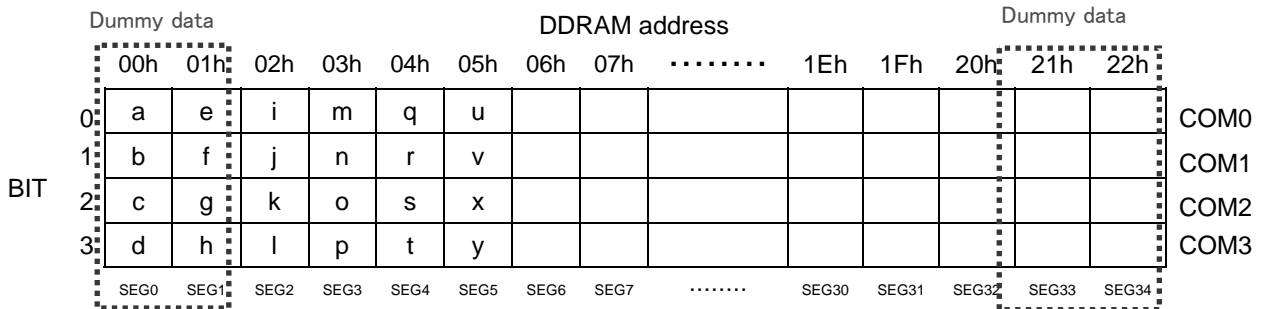
As SEG0, SEG1, SEG2, SEG3, SEG31, SEG32, SEG33, SEG34 are not output, these address will be dummy address.



As data transfer to DDRAM happens every 4bit data, it will be cancelled if it changes CSB="L"→"H" before 4bits data transfer.

\* BU9795AGUW

As SEG0, SEG1, SEG33, SEG34 are not output, these address will be dummy address.



As data transfer to DDRAM happens every 4bit data, it will be cancelled if it changes CSB="L"→"H" before 4bits data transfer.

o Reset (initial) condition

Initial condition after execute Software Reset is as follows.

- Display is OFF.
- DDRAM address is initialized (DDRAM Data is not initialized).
- Refer to Command Description about initialize value of register.

● Cautions of Power-On condition

This LSI has "P.O.R" (Power-On Reset) circuit and Software Reset function. Please keep the following recommended Power-On conditions in order to power up properly.

1. Please set power up conditions to meet the recommended  $t_R$ ,  $t_F$ ,  $t_{OFF}$ , and  $V_{bot}$  spec below in order to ensure P.O.R operation.

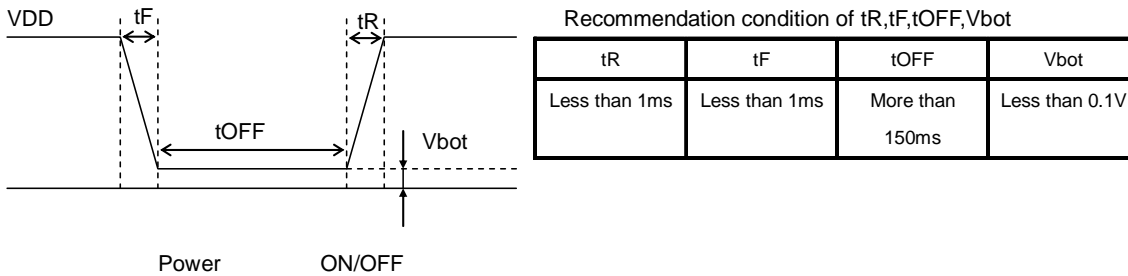


Fig. 5 Power on-off waveform

2. If it is difficult to meet above conditions, execute the following sequence after Power-On. Because it doesn't accept the command in power off, it is necessary to care that correspondence by software reset doesn't become alternative to POR function completely.

(1) CSB="L"→"H" condition

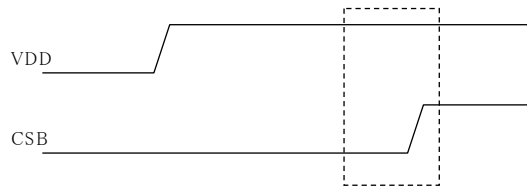


Fig. 6 CSB Timing

(2) After CSB"H"→"L", execute Software Reset (ICSET command).

● IO Circuit (BU9795AKV /AFV /AGUW)

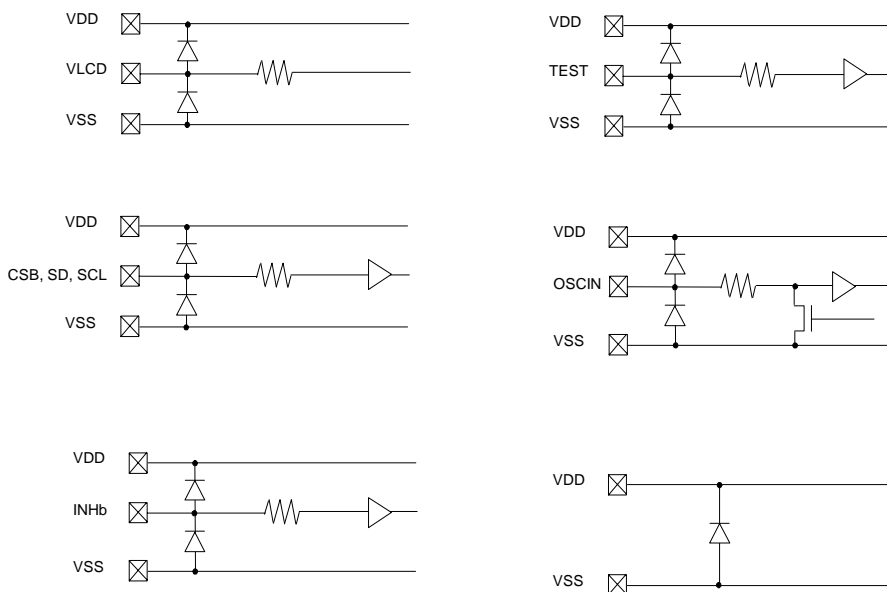


Fig. 7 IO circuit

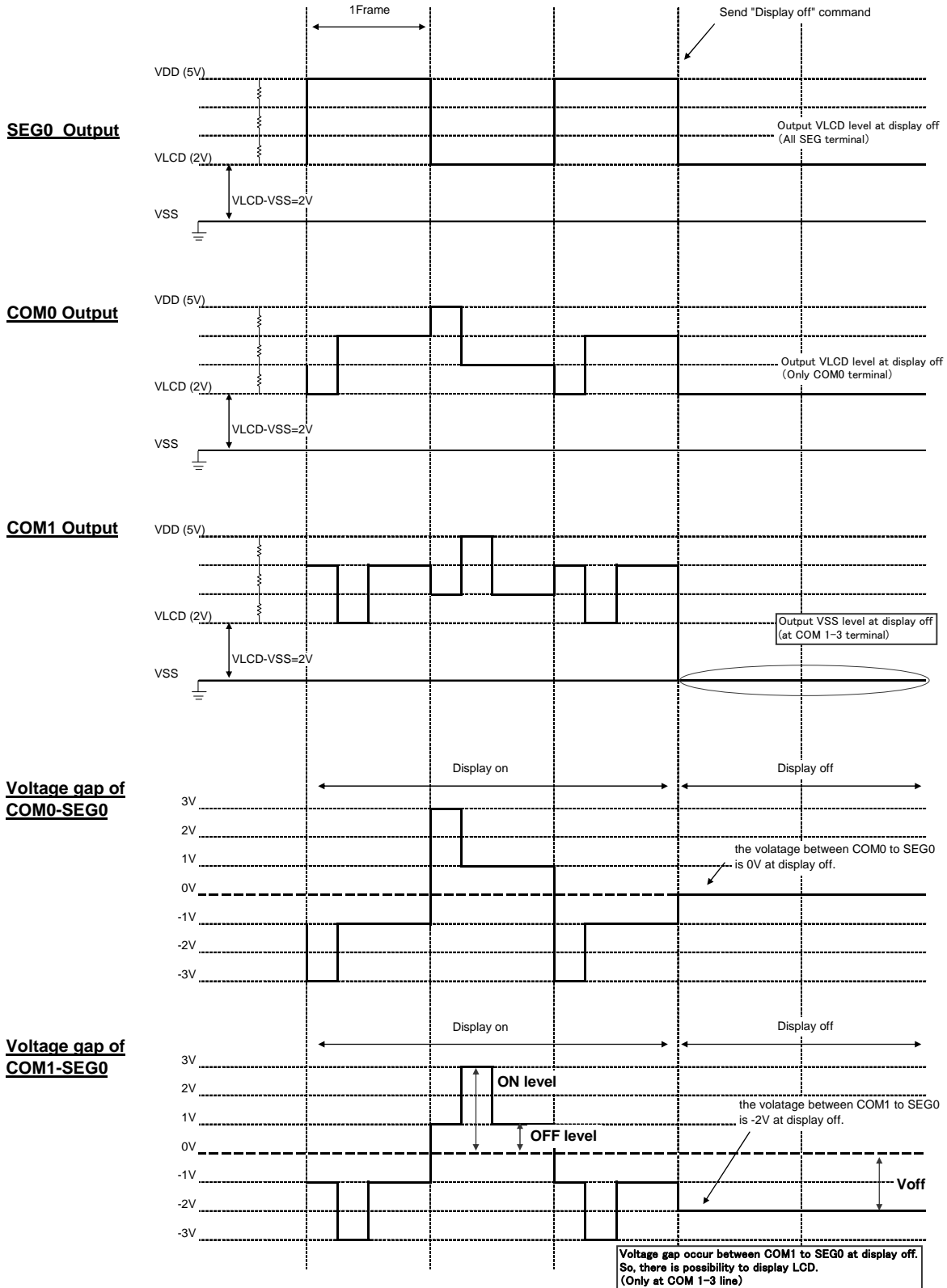
● Notes for Application (BU9795AKV /BU9795AFV / BU9795AGUW)

In case, BU9795AKV/ BU9795AFV/ BU9795AGUW used at VLCD≠VSS, voltage gap occur between SEG line to COM1 – 3 line at Display off state. Because of this voltage gap, there is possibility to display LCD for a moment.

To avoid this phenomenon, please decide VDD and VLCD level to satisfy Voff voltage lower than OFF level (OFF level = 1V at the example explained below).

condition : VDD=5.0V  
 VLCD=2.0V  
 1/3bias  
 DDRAM data ALL "H"  
 Frame inversion

In case, VLCD voltage different from VSS level (VLCD≠VSS)  
 In this case, volatage gap occur, between SEG line to COM 1-3 line.  
 Because of this gap, there is possibility to display LCD for a moment.



**●Notes for use****(1) Absolute Maximum Ratings**

An excess in the absolute maximum ratings, such as supply voltage, temperature range of operating conditions, etc., can break down devices, thus making impossible to identify breaking mode such as a short circuit or an open circuit. If any special mode exceeding the absolute maximum ratings is assumed, consideration should be given to take physical safety measures including the use of fuses, etc.

**(2) Operating conditions**

These conditions represent a range within which characteristics can be provided approximately as expected. The electrical characteristics are guaranteed under the conditions of each parameter.

**(3) Reverse connection of power supply connector**

The reverse connection of power supply connector can break down ICs. Take protective measures against the breakdown due to the reverse connection, such as mounting an external diode between the power supply and the IC's power supply terminal.

**(4) Power supply line**

Design PCB pattern to provide low impedance for the wiring between the power supply and the GND lines. In this regard, for the digital block power supply and the analog block power supply, even though these power supplies have the same level of potential, separate the power supply pattern for the digital block from that for the analog block, thus suppressing the diffraction of digital noises to the analog block power supply resulting from impedance common to the wiring patterns. For the GND line, give consideration to design the patterns in a similar manner.

Furthermore, for all power supply terminals to ICs, mount a capacitor between the power supply and the GND terminal. At the same time, in order to use an electrolytic capacitor, thoroughly check to be sure the characteristics of the capacitor to be used present no problem including the occurrence of capacity dropout at a low temperature, thus determining the constant.

**(5) GND voltage**

Make setting of the potential of the GND terminal so that it will be maintained at the minimum in any operating state. Furthermore, check to be sure no terminals are at a potential lower than the GND voltage including an actual electric transient.

**(6) Short circuit between terminals and erroneous mounting**

In order to mount ICs on a set PCB, pay thorough attention to the direction and offset of the ICs. Erroneous mounting can break down the ICs. Furthermore, if a short circuit occurs due to foreign matters entering between terminals or between the terminal and the power supply or the GND terminal, the ICs can break down.

**(7) Operation in strong electromagnetic field**

Be noted that using ICs in the strong electromagnetic field can malfunction them.

**(8) Inspection with set PCB**

On the inspection with the set PCB, if a capacitor is connected to a low-impedance IC terminal, the IC can suffer stress. Therefore, be sure to discharge from the set PCB by each process. Furthermore, in order to mount or dismount the set PCB to/from the jig for the inspection process, be sure to turn OFF the power supply and then mount the set PCB to the jig. After the completion of the inspection, be sure to turn OFF the power supply and then dismount it from the jig. In addition, for protection against static electricity, establish a ground for the assembly process and pay thorough attention to the transportation and the storage of the set PCB.

**(9) Input terminals**

In terms of the construction of IC, parasitic elements are inevitably formed in relation to potential. The operation of the parasitic element can cause interference with circuit operation, thus resulting in a malfunction and then breakdown of the input terminal. Therefore, pay thorough attention not to handle the input terminals, such as to apply to the input terminals a voltage lower than the GND respectively, so that any parasitic element will operate. Furthermore, do not apply a voltage to the input terminals when no power supply voltage is applied to the IC. In addition, even if the power supply voltage is applied, apply to the input terminals a voltage lower than the power supply voltage or within the guaranteed value of electrical characteristics.

**(10) Ground wiring pattern**

If small-signal GND and large-current GND are provided, it will be recommended to separate the large-current GND pattern from the small-signal GND pattern and establish a single ground at the reference point of the set PCB so that resistance to the wiring pattern and voltage fluctuations due to a large current will cause no fluctuations in voltages of the small-signal GND. Pay attention not to cause fluctuations in the GND wiring pattern of external parts as well.

**(11) External capacitor**

In order to use a ceramic capacitor as the external capacitor, determine the constant with consideration given to a degradation in the nominal capacitance due to DC bias and changes in the capacitance due to temperature, etc.

**(12) No Connecting input terminals**

In terms of extremely high impedance of CMOS gate, to open the input terminals causes unstable state. And unstable state brings the inside gate voltage of p-channel or n-channel transistor into active. As a result, battery current may increase. And unstable state can also cause unexpected operation of IC. So unless otherwise specified, input terminals not being used should be connected to the power supply or GND line.

**(13) Rush current**

When power is first supplied to the CMOS IC, it is possible that the internal logic may be unstable and rush current may flow instantaneously. Therefore, give special condition to power coupling capacitance, power wiring, width of GND wiring, and routing of connections.



## Notes

No copying or reproduction of this document, in part or in whole, is permitted without the consent of ROHM Co.,Ltd.

The content specified herein is subject to change for improvement without notice.

The content specified herein is for the purpose of introducing ROHM's products (hereinafter "Products"). If you wish to use any such Product, please be sure to refer to the specifications, which can be obtained from ROHM upon request.

Examples of application circuits, circuit constants and any other information contained herein illustrate the standard usage and operations of the Products. The peripheral conditions must be taken into account when designing circuits for mass production.

Great care was taken in ensuring the accuracy of the information specified in this document. However, should you incur any damage arising from any inaccuracy or misprint of such information, ROHM shall bear no responsibility for such damage.

The technical information specified herein is intended only to show the typical functions of and examples of application circuits for the Products. ROHM does not grant you, explicitly or implicitly, any license to use or exercise intellectual property or other rights held by ROHM and other parties. ROHM shall bear no responsibility whatsoever for any dispute arising from the use of such technical information.

The Products specified in this document are intended to be used with general-use electronic equipment or devices (such as audio visual equipment, office-automation equipment, communication devices, electronic appliances and amusement devices).

The Products specified in this document are not designed to be radiation tolerant.

While ROHM always makes efforts to enhance the quality and reliability of its Products, a Product may fail or malfunction for a variety of reasons.

Please be sure to implement in your equipment using the Products safety measures to guard against the possibility of physical injury, fire or any other damage caused in the event of the failure of any Product, such as derating, redundancy, fire control and fail-safe designs. ROHM shall bear no responsibility whatsoever for your use of any Product outside of the prescribed scope or not in accordance with the instruction manual.

The Products are not designed or manufactured to be used with any equipment, device or system which requires an extremely high level of reliability the failure or malfunction of which may result in a direct threat to human life or create a risk of human injury (such as a medical instrument, transportation equipment, aerospace machinery, nuclear-reactor controller, fuel-controller or other safety device). ROHM shall bear no responsibility in any way for use of any of the Products for the above special purposes. If a Product is intended to be used for any such special purpose, please contact a ROHM sales representative before purchasing.

If you intend to export or ship overseas any Product or technology specified herein that may be controlled under the Foreign Exchange and the Foreign Trade Law, you will be required to obtain a license or permit under the Law.



Thank you for your accessing to ROHM product informations.  
More detail product informations and catalogs are available, please contact us.

## ROHM Customer Support System

<http://www.rohm.com/contact/>