

FEATURES

- USB 2.0 compatible**
- Enhanced system-level ESD performance per IEC 61000-4-x**
- 4.0 V to 5.5V operation**
 - 7 mA maximum up-stream supply current @ 1.5 Mbps**
 - 8 mA maximum up-stream supply current @ 12 Mbps**
 - 2.5mA up-stream idle current**
- Bidirectional communication**
- Up Stream Short Circuit Protection**
- High temperature operation: 105°C**
- Low and Full Speed data rate: 1.5Mbps and 12 Mbps**
- High common-mode transient immunity: >25 kV/μs**
- 16-lead SOIC wide body package**
- RoHS compliant models available**
- Safety and regulatory approvals (Pending)**
 - UL recognition: 5000 V rms for 1 minute per UL 1577**
 - CSA Component Acceptance Notice #5A**
 - IEC 60601-1: 250 V rms (reinforced)**
 - IEC 60950-1: 600 V rms (reinforced)**
- VDE certificate of conformity**
 - DIN V VDE V 0884-10 (VDE V 0884-10):2006-12**
 - V_{IORM} = 846 V peak**

APPLICATIONS

- USB peripheral isolation**
- Isolated USB Hub**
- Repeaters**

GENERAL DESCRIPTION

The ADuM4160¹ is a USB-port isolator, based on Analog Devices, Inc. *iCoupler*® technology. Combining high speed CMOS and monolithic air core transformer technology, these

isolation components provide outstanding performance characteristics and are easily integrated with low and full speed USB compatible peripheral devices.

Many microcontrollers implement USB so that it presents only the D+ and D- lines to external pins. This is desirable in many cases because it minimizes external components and simplifies the design; however, this presents particular challenges when isolation is required. Since the USB lines must switch between actively driving D+/D- and allowing external resistors to set the state of the bus, the ADuM4160 provides mechanisms for detecting the direction of data flow and control over state of the output buffers. Data direction is determined on a packet by packet basis.

The ADuM4160 uses the edge detection based *iCoupler* technology in conjunction with internal logic to implement a transparent, easily configured, up-stream facing port isolator. Isolating the up-stream port provides several advantages in simplicity, power management and robust operation.

The isolator has propagation delay comparable that of a standard hub and cable. It operates with the supply voltage on either side ranging from 3.0 V to 5.5 V, allowing connection directly to V_{BUS} by internally regulating the voltage to the signaling level. The ADuM4160 provides isolated control of the pull-up resistor to allow the peripheral to control connection timing. The device draws low enough idle current that a suspend state is not required.

¹ Protected by U.S. Patents 5,952,849; 6,873,065; 7,075,329. Other patents pending.

FUNCTIONAL BLOCK DIAGRAMS

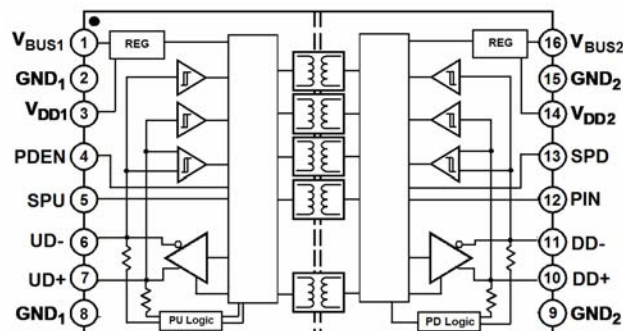


Figure 1. ADuM4160

Rev. Pr F

Information furnished by Analog Devices is believed to be accurate and reliable. However, no responsibility is assumed by Analog Devices for its use, nor for any infringements of patents or other rights of third parties that may result from its use. Specifications subject to change without notice. No license is granted by implication or otherwise under any patent or patent rights of Analog Devices. Trademarks and registered trademarks are the property of their respective owners.

TABLE OF CONTENTS

Features	1	ESD Caution.....	7
Applications.....	1	Pin Configurations and Function Descriptions	8
General Description	1	Application Information.....	10
Functional Block Diagrams.....	1	Functional Description.....	10
Revision History	2	Product Usage	10
Specifications.....	3	Power Supply Options	10
Electrical Characteristics	3	PC Board Layout	11
Package Characteristics	5	Propagation Delay-Related Parameters Error! Bookmark not defined.	
Regulatory Information.....	5	DC Correctness and Magnetic Field Immunity.....	11
Insulation and Safety-Related Specifications	5	Insulation Lifetime	12
DIN V VDE V 0884-10 (VDE V 0884-10) Insulation		Outline Dimensions	14
Characteristics	6	Ordering Guide	14
Recommended Operating Conditions	6		
Absolute Maximum Ratings.....	7		

REVISION HISTORY

6

SPECIFICATIONS

ELECTRICAL CHARACTERISTICS

4.0 V ≤ V_{BUS1} ≤ 5.5 V, 4.0 V ≤ V_{BUS2} ≤ 5.5 V; 3.0 V ≤ V_{DD1} ≤ 3.6 V, 3.0 V ≤ V_{DD2} ≤ 3.6 V. All min/max specifications apply over the entire recommended operation range, unless otherwise noted; all typical specifications are at T_A = 25°C, V_{DD1} = V_{DD2} = 3.3 V. All voltages are relative to their respective ground.

Table 1.

Parameter	Symbol	Min	Typ	Max	Unit	Test Conditions
DC SPECIFICATIONS						
ADuM4160, Total Supply Current ¹						
1.5 Mbps						
V _{DD1} or V _{BUS1} Supply Current	I _{DD1 (L)}		5	7	mA	750kHz logic signal rate C _L =450pF
V _{DD2} or V _{BUS2} Supply Current	I _{DD2 (L)}		5	7	mA	750kHz logic signal rate C _L =450pF
12 Mbps						
V _{DD1} or V _{BUS1} Supply Current	I _{DD1 (F)}		6	8	mA	6 MHz logic signal rate C _L =50pF
V _{DD2} or V _{BUS2} Supply Current	I _{DD2 (F)}		6	8	mA	6 MHz logic signal rate C _L =50pF
Idle Current						
V _{DD1} or V _{BUS1} Idle Current	I _{DD1 (I)}		1.7	2.5	mA	
Input Currents						
	I _{DD-, I_{DD+}, I_{UD+, I_{UD-, I_{SPD, I_{PIN, I_{SPU, I_{PDEN}}}}}}}	-1	+0.1	+1	µA	0 V ≤ V _{DD-, V_{DD+}, V_{UD+, V_{UD-, V_{SPD, V_{PIN, V_{SPU, V_{PDEN} ≤ 3.0}}}}}}
Single Ended Logic High Input Threshold	V _{IH}	2.0			V	
Single Ended Logic Low Input Threshold	V _{IL}			0.8	V	
Single Ended Input Hysteresis	V _{HST}	0.4		0.7V		
Differential Input Sensitivity	V _{DI}	0.2			V	V _{XD+} - V _{XD-}
Differential Common Mode Voltage Range	V _{CM}	0.8		2.5	V	
Logic High Output Voltages	V _{OH}	2.8		3.6	V	R _L =15kΩ V _L =0V
Logic Low Output Voltages	V _{OL}	0		0.3	V	R _L =1.5kΩ V _L =3.6V
V _{DD1} and V _{DD2} Supply Under Voltage Lockout	V _{UVLO}	2.5		3.0		
V _{BUS1} and V _{BUS2} Supply Under Voltage Lockout	V _{UVLOB}	3.6		4.3		
Transceiver capacitance	C _{IN}		10		pF	UD+, UD-, DD+, DD- to ground
Capacitance Matching			10		%	
Full Speed Driver Impedance	Z _{OUTH}	4		20	Ω	
Impedance Matching				10	%	
SWITCHING SPECIFICATIONS, I/O pins Low speed						
Data Rate ²			1.5		Mbps	C _L = 50 pF
Propagation Delay ³	t _{PHL, t_{PLH}}			325	ns	C _L = 50 pF
Side 1 Output Rise/Fall Time (10% to 90%) Low Speed	t _{RF/t_{FF}}	75		300	ns	C _L = 200 pF SPD=SPU=low
Side 2 Output Rise/Fall Time (10% to 90%) Low Speed	t _{RF/t_{FF}}	75		300	ns	C _L = 450 pF SPD=SPU=low
Low Speed Differential Jitter – Next Transition	t _{LJN}		45		ns	C _L = 50 pF,
Low Speed Differential Jitter – Paired Transition	t _{LJP}		15		ns	C _L = 50 pF,
SWITCHING SPECIFICATIONS, I/O pins Full speed						
Maximum Data Rate ⁴		12			Mbps	C _L = 50 pF
Propagation Delay ⁵	t _{PHL, t_{PLH}}	20	60	750	ns	C _L = 50 pF
Output Rise/Fall Time (10% to 90%) Full Speed	t _{RL/t_{FL}}	4		20	ns	C _L = 50 pF SPD=SPU=high
Full Speed Differential Jitter – Next Transition	t _{HJN}		3		ns	C _L = 50 pF,
Full Speed Differential Jitter – Paired Transition	t _{HJP}		1		ns	C _L = 50 pF,
For All Operating Modes						

Parameter	Symbol	Min	Typ	Max	Unit	Test Conditions
Common-Mode Transient Immunity at Logic High Output ⁶	CM _H	25	35		kV/μs	V _{UD+} , V _{UD-} , V _{DD+} , V _{DD-} = V _{DD1} or V _{DD2} , V _{CM} = 1000 V, transient magnitude = 800 V
Common-Mode Transient Immunity at Logic Low Output ⁶	CM _L	25	35		kV/μs	V _{UD+} , V _{UD-} , V _{DD+} , V _{DD-} = 0 V, V _{CM} = 1000 V, transient magnitude = 800 V

¹ The supply current values for the device running at a fixed continuous data rate 50% duty cycle alternating J and K states. Supply current values are specified with USB compliant load present.

² The maximum data rate is the fastest data rate at which the specified pulse width distortion is guaranteed.

³ t_{PHL} propagation delay is measured from the 50% level of the falling edge of the V_{ix} signal to the 50% level of the falling edge of the V_{ox} signal. t_{PLH} propagation delay is measured from the 50% level of the rising edge of the V_{ix} signal to the 50% level of the rising edge of the V_{ox} signal.

⁴ The maximum data rate is the fastest data rate at which the specified pulse width distortion is guaranteed.

⁵ t_{PHL} propagation delay is measured from the 50% level of the falling edge of the V_{ix} signal to the 50% level of the falling edge of the V_{ox} signal. t_{PLH} propagation delay is measured from the 50% level of the rising edge of the V_{ix} signal to the 50% level of the rising edge of the V_{ox} signal.

⁶ CM_H is the maximum common-mode voltage slew rate that can be sustained while maintaining V_O > 0.8 V_{DD2}. CM_L is the maximum common-mode voltage slew rate that can be sustained while maintaining V_O < 0.8 V. The common-mode voltage slew rates apply to both rising and falling common-mode voltage edges. The transient magnitude is the range over which the common mode is slewed.

PACKAGE CHARACTERISTICS

Table 2.

Parameter	Symbol	Min	Typ	Max	Unit	Test Conditions
Resistance (Input to Output) ¹	R _{I-O}		10 ¹²		Ω	
Capacitance (Input to Output) ¹	C _{I-O}		2.2		pF	f = 1 MHz
Input Capacitance ²	C _I		4.0		pF	
IC Junction-to-Case Thermal Resistance, Side 1	θ _{JCI}		33		°C/W	Thermocouple located at center of package
IC Junction-to-Case Thermal Resistance, Side 2	θ _{JCO}		28		°C/W	underside

¹ Device considered a 2-terminal device; Pin 1, Pin 2, Pin 3, Pin 4, Pin 5, Pin 6, Pin 7, and Pin 8 shorted together and Pin 9, Pin 10, Pin 11, Pin 12, Pin 13, Pin 14, Pin 15, and Pin 16 shorted together.

² Input capacitance is from any input data pin to ground.

REGULATORY INFORMATION

The ADuM4160 has been approved by the organizations listed in Table 3. Refer to Table 10 and Insulation Lifetime section for details regarding recommended maximum working voltages for specific cross-isolation waveforms and insulation levels.

Table 3.

UL (Pending)	CSA (Pending)	VDE (Pending)
Recognized under 1577 component recognition program ¹ Double Protection 5000 V rms isolation voltage File E214100	Approved under CSA Component Acceptance Notice #5A Basic insulation per CSA 60950-1-03 and IEC 60950-1, 800 V rms (1131 V peak) maximum working voltage Reinforced insulation per CSA 60950-1-03 and IEC 60950-1, 600 V rms (848 V peak) maximum working voltage Reinforced insulation per IEC 60601-1 250 V rms (353 V peak) maximum working voltage File 205078	Certified according to DIN V VDE V 0884-10 (VDE V 0884-10):2006-12 ² Reinforced insulation, 846 V peak File 2471900-4880-0001

¹ In accordance with UL 1577, each ADuM4160 is proof tested by applying an insulation test voltage ≥3000 V rms for 1 sec (current leakage detection limit = 5 μA).

² In accordance with DIN V VDE V 0884-10, each ADuM4160 is proof tested by applying an insulation test voltage ≥1050 V peak for 1 sec (partial discharge detection limit = 5 pC). The * marking branded on the component designates DIN V VDE V 0884-10 approval.

INSULATION AND SAFETY-RELATED SPECIFICATIONS

Table 4.

Parameter	Symbol	Value	Unit	Conditions
Rated Dielectric Insulation Voltage		5000	V rms	1 minute duration
Minimum External Air Gap (Clearance)	L(I01)	8.0 min	mm	Measured from input terminals to output terminals, shortest distance through air
Minimum External Tracking (Creepage)	L(I02)	8.0	mm	Measured from input terminals to output terminals, shortest distance path along body
Minimum Internal Gap (Internal Clearance)		0.017 min	mm	Insulation distance through insulation
Tracking Resistance (Comparative Tracking Index)	CTI	>175	V	DIN IEC 112/VDE 0303 Part 1
Isolation Group		II		Material Group (DIN VDE 0110, 1/89, Table 1)

DIN V VDE V 0884-10 (VDE V 0884-10) INSULATION CHARACTERISTICS

These isolators are suitable for reinforced electrical isolation only within the safety limit data. Maintenance of the safety data is ensured by protective circuits. The * marking on packages denotes DIN V VDE V 0884-10 approval.

Table 5.

Description	Conditions	Symbol	Characteristic	Unit
Installation Classification per DIN VDE 0110 For Rated Mains Voltage ≤ 150 V rms For Rated Mains Voltage ≤ 300 V rms For Rated Mains Voltage ≤ 400 V rms			I to IV I to III I to II	
Climatic Classification			40/105/21	
Pollution Degree per DIN VDE 0110, Table 1			2	
Maximum Working Insulation Voltage		V_{IORM}	846	V peak
Input-to-Output Test Voltage, Method B1	$V_{IORM} \times 1.875 = V_{PR}$, 100% production test, $t_m = 1$ sec, partial discharge < 5 pC	V_{PR}	1590	V peak
Input-to-Output Test Voltage, Method A	$V_{IORM} \times 1.6 = V_{PR}$, $t_m = 60$ sec, partial discharge < 5 pC	V_{PR}		
After Environmental Tests Subgroup 1			1375	V peak
After Input and/or Safety Test Subgroup 2 and Subgroup 3	$V_{IORM} \times 1.2 = V_{PR}$, $t_m = 60$ sec, partial discharge < 5 pC		1018	V peak
Highest Allowable Overtoltage	Transient overvoltage, $t_{TR} = 10$ seconds	V_{TR}	6000	V peak
Safety-Limiting Values	Maximum value allowed in the event of a failure (see Figure 2)			
Case Temperature		T_S	150	°C
Side 1 Current		I_{S1}	265	mA
Side 2 Current		I_{S2}	335	mA
Insulation Resistance at T_S	$V_{IO} = 500$ V	R_S	>10 ⁹	Ω

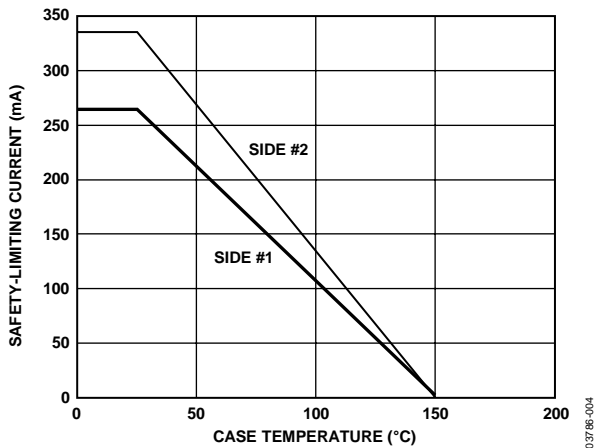


Figure 2. Thermal Derating Curve, Dependence of Safety-Limiting Values with Case Temperature per DIN VVDE V 0884-10

RECOMMENDED OPERATING CONDITIONS

Table 6.

Parameter	Symbol	Min	Max	Unit
Operating Temperature	T_A	-40	+105	°C
Supply Voltages ¹	V_{BUS1}, V_{BUS2}	3.0	5.5	V
Input Signal Rise and Fall Times			1.0	ms

¹ All voltages are relative to their respective ground. See the DC Correctness and Magnetic Field Immunity section for information on immunity to external magnetic fields.

ABSOLUTE MAXIMUM RATINGS

Ambient temperature = 25°C, unless otherwise noted.

Table 7.

Parameter	Rating
Storage Temperature (T _{ST})	-65°C to +150°C
Ambient Operating Temperature (T _A)	-40°C to +105°C
Supply Voltages (V _{BUS1} , V _{BUS2} , V _{DD1} , V _{DD2}) ¹	-0.5 V to +6.5 V
Input Voltage (V _{UD+} , V _{UD-} , V _{SPU}) ^{1,2}	-0.5 V to V _{DD1} + 0.5 V
Output Voltage (V _{DD-} , V _{DD+} , V _{SPD} , V _{PIN}) ^{1,2}	-0.5 V to V _{DD0} + 0.5 V
Average Output Current per Pin ³	
Side 1 (I _{O1})	-10 mA to +10 mA
Side 2 (I _{O2})	-10 mA to +10 mA
Common-Mode Transients ⁴	-100 kV/μs to +100 kV/μs

¹ All voltages are relative to their respective ground.

² V_{DD1}, V_{DD2}, V_{BUS1} and V_{BUS2} refer to the supply voltages on the input and output sides of a given channel, respectively.

³ See Figure 2 for maximum rated current values for various temperatures.

⁴ Refers to common-mode transients across the insulation barrier. Common-mode transients exceeding the Absolute Maximum Ratings may cause latch-up or permanent damage.

Stresses above those listed under Absolute Maximum Ratings may cause permanent damage to the device. This is a stress rating only; functional operation of the device at these or any other conditions above those indicated in the operational section of this specification is not implied. Exposure to absolute maximum rating conditions for extended periods may affect device reliability.

ESD CAUTION



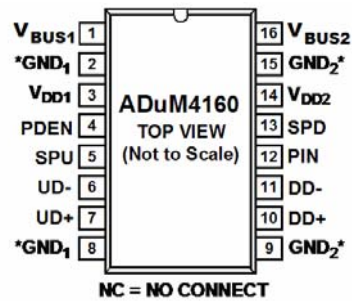
ESD (electrostatic discharge) sensitive device. Charged devices and circuit boards can discharge without detection. Although this product features patented or proprietary protection circuitry, damage may occur on devices subjected to high energy ESD. Therefore, proper ESD precautions should be taken to avoid performance degradation or loss of functionality.

Table 8. Maximum Continuous Working Voltage¹

Parameter	Max	Unit	Constraint
AC Voltage, Bipolar Waveform	565	V peak	50-year minimum lifetime
AC Voltage, Unipolar Waveform		V peak	
Basic Insulation	1131	V peak	Maximum approved working voltage per IEC 60950-1
Reinforced Insulation	560	V peak	Maximum approved working voltage per IEC 60950-1 and VDE V 0884-10
DC Voltage			
Basic Insulation	1131	V peak	Maximum approved working voltage per IEC 60950-1
Reinforced Insulation	560	V peak	Maximum approved working voltage per IEC 60950-1 and VDE V 0884-10

¹ Refers to continuous voltage magnitude imposed across the isolation barrier. See the Insulation Lifetime section for more details.

PIN CONFIGURATIONS AND FUNCTION DESCRIPTIONS



***PIN 2 AND PIN 8 ARE INTERNALLY CONNECTED, AND CONNECTING BOTH TO GND₁ IS RECOMMENDED. PIN 9 AND PIN 15 ARE INTERNALLY CONNECTED, AND CONNECTING BOTH TO GND₂ IS RECOMMENDED.**

Figure 3. ADuM4160 Pin Configuration

Table 9. ADuM4160 Pin Function Descriptions

Pin No.	Mnemonic	Direction	Description
1	V _{BUS1}	Power	Input Power Supply for Side 1. Where the isolator is powered by the USB bus voltage, 4.5V to 5.5V, connect V _{BUS1} to the USB power bus. Where the isolator will be powered from a 3.3V power supply, connect V _{BUS1} to V _{DD1} and to the external 3.3V Power Supply. Bypass to GND ₁ is required.
2	GND ₁	Return	Ground 1. Ground reference for isolator Side 1.
3	V _{DD1}	Power	Input Power Supply for Side 1. Where the isolator is powered by the USB bus voltage, 4.5V to 5.5V, The V _{DD1} pin should be used for a bypass capacitor to GND ₁ , no other connections should be made.. Where the isolator will be powered from a 3.3V power supply, connect V _{BUS1} to V _{DD1} and to the external 3.3V Power Supply. Bypass to GND ₁ is required.
4	PDEN	I	Pull Down Enable, This pin is read when exiting reset. This pin shall be connected to V _{DD1} for standard operation. When connected to GND ₁ while exiting from reset, the down stream pull down resistors are disconnected, allowing buffer impedance measurements.
5	SPU	I	Speed Select Up-Stream Buffer. Active high logic input. selects Full speed slew rate and timing and logic conventions when SPU is high. This input must be set high or low and must match pin 10.
6	UD-	I/O	Up-stream D-
7	UD+	I/O	Up-stream D+
8	GND ₁	Return	Ground 1. Ground reference for isolator Side 1.
9	GND ₂	Return	Ground 2. Ground reference for isolator Side 2.
10	DD+	I/O	Down-stream D+
11	DD-	I/O	Down-stream D-.
12	PIN	I	Up-stream pull-up enable. SPD controls the power connection to the pull-up for the up-stream port. It may be tied to V _{DD2} for operation on power up, or tied to an external control signal for application requiring delayed enumeration.
13	SPD	I	Speed Select Down-Stream Buffer. Active high logic input. selects Full speed slew rate and timing and logic conventions when SPU is high. This input must be set high or low and must match pin 7.
14	V _{DD2}	Power	Input Power Supply for Side 2. Where the isolator is powered by the USB bus voltage, 4.5V to 5.5V, The V _{DD1} pin should be used for a bypass capacitor to GND ₂ , no other connections should be made.. Where the isolator will be powered from a 3.3V power supply, connect V _{BUS2} to V _{DD2} and to the external 3.0V to 3.3V Power Supply. Bypass to GND ₂ is required.
15	GND ₂	Return	Ground 2. Ground reference for isolator Side 2.
16	V _{BUS2}	Power	Input Power Supply for Side 2. Where the isolator is powered by the USB bus voltage, 4.5V to 5.5V, connect V _{BUS2} to the USB power bus. Where the isolator will be powered from a 3.3V power supply, connect V _{BUS2} to V _{DD2} and to the external 3.0V to 3.3V Power Supply. Bypass to GND ₂ is required.

Table 10. Truth Table, Control Signals and Power (Positive Logic)

V _{SPU} Input	V _{UD+} , V _{UD-} state	V _{BUS1} , V _{DD1} State	V _{BUS2} , V _{DD2} State	V _{DD+} , V _{DD-} state	V _{PIN} Input	V _{SPD} Input	Notes
H	Active	Powered	Powered	Active	H	H	Input and output logic set for Full speed logic convention and timing
L	Active	Powered	Powered	Active	H	L	Input and output logic set for Low speed logic convention and timing
L	Active	Powered	Powered	Active	H	H	V _{SPU} and V _{SPD} must be set to the same value, Mixed Speed and Logic convention is not allowed
H	Active	Powered	Powered	Active	H	L	V _{SPU} and V _{SPD} must be set to the same value, Mixed Speed and Logic convention is not allowed
X	Z	Powered	Powered	Z	L	X	Upstream Side 1 presents a disconnected state to the USB cable.
X	X	Unpowered	Powered	Z	X	X	When Power is not present on side 1, the side 2 data output drivers will revert to High Z within 32 bit times. Side 2 initializes in high Z state.
X	Z	Powered	Unpowered	X	X	X	When Power is not present on the VDD2, the up-stream side will disconnect the pull-up and disable the upstream drivers within 32 bit times.

APPLICATION INFORMATION

FUNCTIONAL DESCRIPTION

USB isolation in the D+/D- lines is challenging for several reasons. First, access to the output enable signals is normally required to control the transceiver. Some level of intelligence must be built into the isolator to interpret the data stream and determine when to enable and disable its up-stream and down-stream output buffers. Second, the signal must be faithfully be reconstructed on the output side of the coupler while retaining precise timing and not passing transient states such as invalid SE0 and SE1 states. In addition, the part must meet the low power requirements of the Suspend mode.

The iCoupler technology is based on edge detection, and so lends itself well to the USB application. The flow of data through the device is accomplished by monitoring the inputs for activity, and setting the direction for data transfer based on a transition from the Idle state. Once data directionality is established, data is transferred until either an End Of Packet (EOP), or a sufficiently long idle state is encountered. At this point, the coupler disables its output buffers and monitors its inputs for the next activity

During the data transfers, the input side of the coupler holds its output buffers disabled. The output side enables its output buffers and disables edge detection from the input buffers. This allows the data to flow in one direction without wrapping back through the coupler making the iCoupler latch. Timing is based on the differential input signal transition. Logic is included to eliminate any artifacts due to different input thresholds of the differential and single ended buffers. The input state is transferred across the isolation barrier, as one of three valid states, J, K, or SE0. The signal is reconstructed at the output side with a fixed time delay from the input side differential input.

The requirement for low power suspend mode is addressed by making the Idle state power consumption lower than the Suspend limit of 2.5mA. The iCoupler has no suspend feature apart from a low Idle current that meets the required level.

The ADuM4160 is designed to interface with an up-stream facing Low/Full speed USB port by isolating the D+/D- lines. An upstream facing port supports only one speed of operation so the speed related parameters, J/K logic levels and D+/D- slew rate are set to match the speed of the upstream facing peripheral port (see Table 10).

A control line on the downstream side of the ADuM4160 activates the Idle state pull-up resistor. This allows the downstream port to control when the upstream port attaches to the USB bus. The pin can be tied to the peripheral pull-up, a control line, or the Peripheral's power supply depending on when the initial bus connect is performed.

PRODUCT USAGE

The ADuM4160 is designed to be integrated into a USB peripheral with an upstream facing USB port as shown in Figure 4. The key design points are:

- 1) The USB host provides power for the upstream side of the ADuM4160 through the cable.
- 2) The peripheral supply provides power to the downstream side of the ADuM4160
- 3) The isolator interfaces with the D+/D- lines of the peripheral controller, so it behaves like a single port hub to the peripheral.
- 4) Peripheral devices have a fixed data rate that is set at design time. The ADuM4160 has configuration pins SPU and SPD that are set by the user to match this speed on the upstream and downstream sides of the coupler.
- 5) USB enumeration begins when either the D+ or D- line is pulled high at the peripheral end of the USB cable. Control of the timing of this event is provided by the PIN input on the down stream side of the coupler.
- 6) Integrated pull-up and pull-down resistors are internal to the coupler.

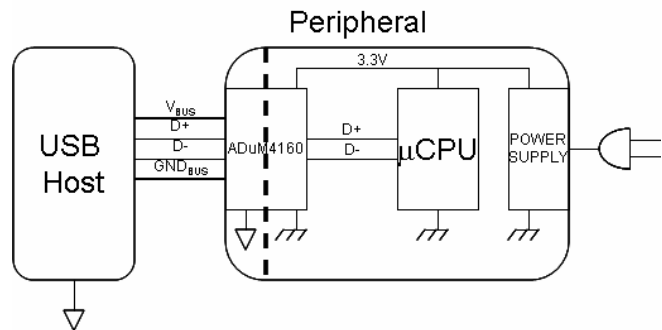


Figure 4 Typical ADuM4160 Application

Other than, the delayed application of pull-up resistors, the ADuM4160 is transparent to USB traffic, and no modifications to the peripheral design are required to isolate. The isolator does add propagation delay to the signals equivalent to a hub and cable so isolates peripherals must be treated as if there was a built in hub when determining the maximum number of hubs in a data chain.

POWER SUPPLY OPTIONS

In most USB transceivers, 3.3V is derived from the 5V USB bus through an LDO regulator. The ADuM4160 includes an internal LDO regulator on each side to perform this function. It also allows the regulator to be bypassed if 3.3V is available directly. This feature is especially useful in peripherals where there may not be a 5V power rail. Two power input pins are

present on each side, V_{BUSx} and V_{DDx} . If 5V is available, it is connected to V_{BUSx} and the internal regulator makes 3.3V to run the coupler. If 3.3V is available, it can be provided to both V_{BUSx} and V_{DDx} . This disables the regulator and powers the coupler directly from the 3.3V supply.

Figure 5, shows how a typical application is connected if the upstream side of the coupler was getting power directly from the USB bus and the downstream side was receiving 3.3V from the peripheral power supply.

PC BOARD LAYOUT

The ADuM4160 digital isolator requires no external interface circuitry for the logic interfaces. For full speed operation the D+ and D- line on each side of the device require a $24\Omega \pm 1\%$ series termination resistor. These resistors are not required for low speed applications. Power supply bypassing is required at the input and output supply pins (Figure 5). Install bypass capacitors between V_{BUSx} and V_{DDx} on each side of the chip. The capacitor value should have a minimum value of 0.1 μF and low ESR. The total lead length between both ends of the capacitor and the power supply pin should not exceed 10 mm . Bypassing between Pin 2 and Pin 8 and between Pin 9 and Pin 15 should also be considered, unless the ground pair on each package side is connected close to the package.

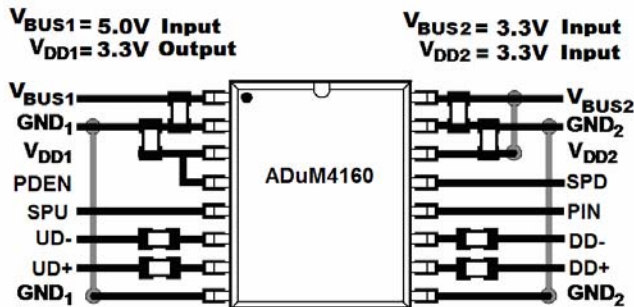


Figure 5. Recommended Printed Circuit Board Layout

In applications involving high common-mode transients, care should be taken to ensure that board coupling across the isolation barrier is minimized. Furthermore, the board layout should be designed such that any coupling that does occur equally affects all pins on a given component side. Failure to ensure this could cause voltage differentials between pins exceeding the device's Absolute Maximum Ratings, thereby leading to latch-up or permanent damage.

DC CORRECTNESS AND MAGNETIC FIELD IMMUNITY

Positive and negative logic transitions at the isolator input cause narrow (~1 ns) pulses to be sent to the decoder via the transformer. The decoder is bistable and is, therefore, either set or reset by the pulses, indicating input logic transitions. In the absence of logic transitions at the input for more than ~1 μs , a periodic set of refresh pulses indicative of the correct input state are sent to ensure dc correctness at the output. If the decoder receives no internal pulses of more than about 5 μs , the input

side is assumed to be unpowered or nonfunctional, in which case the isolator output is forced to a default state (see Table 10) by the watchdog timer circuit.

The limitation on the ADuM4160's magnetic field immunity is set by the condition in which induced voltage in the transformer's receiving coil is sufficiently large to either falsely set or reset the decoder. The following analysis defines the conditions under which this may occur. The 3 V operating condition of the ADuM4160 is examined because it represents the most susceptible mode of operation.

The pulses at the transformer output have an amplitude greater than 1.0 V. The decoder has a sensing threshold at about 0.5 V, thus establishing a 0.5 V margin in which induced voltages can be tolerated. The voltage induced across the receiving coil is given by

$$V = (-d\beta/dt)\sum \Pi r_n^2; n = 1, 2, \dots, N$$

where:

β is magnetic flux density (gauss).

N is the number of turns in the receiving coil.

r_n is the radius of the n^{th} turn in the receiving coil (cm).

Given the geometry of the receiving coil in the ADuM4160 and an imposed requirement that the induced voltage be at most 50% of the 0.5 V margin at the decoder, a maximum allowable magnetic field is calculated as shown in Figure 6.

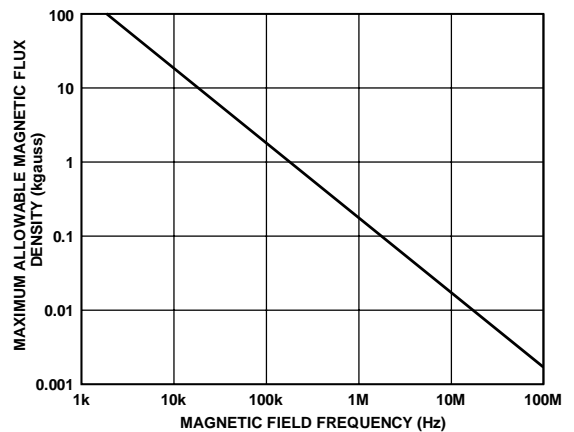


Figure 6. Maximum Allowable External Magnetic Flux Density

For example, at a magnetic field frequency of 1 MHz, the maximum allowable magnetic field of 0.2 kgauss induces a voltage of 0.25 V at the receiving coil. This is about 50% of the sensing threshold and does not cause a faulty output transition. Similarly, if such an event were to occur during a transmitted pulse (and was of the worst-case polarity), it would reduce the received pulse from >1.0 V to 0.75 V—still well above the 0.5 V sensing threshold of the decoder.

The preceding magnetic flux density values correspond to specific current magnitudes at given distances from the ADuM4160 transformers. Figure 7 expresses these allowable current magnitudes as a function of frequency for selected distances. As shown, the ADuM4160 is extremely immune and can be affected only by extremely large currents operated at

high frequency very close to the component. For the 1 MHz example noted, one would have to place a 0.5 kA current 5 mm away from the ADuM4160 to affect the component's operation.

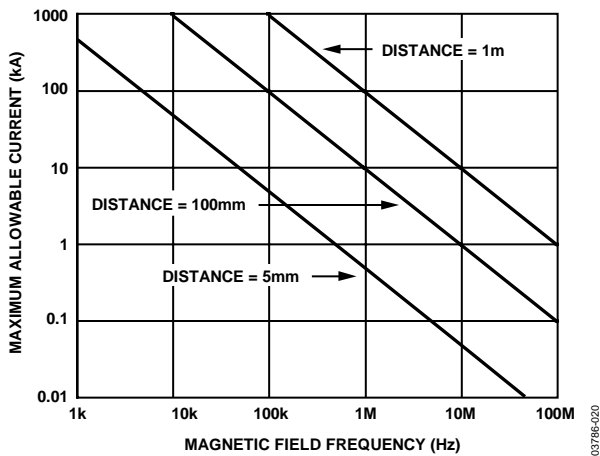


Figure 7. Maximum Allowable Current for Various Current-to-ADuM4160 Spacings

03786-020

Note that at combinations of strong magnetic field and high frequency, any loops formed by printed circuit board traces could induce error voltages sufficiently large enough to trigger the thresholds of succeeding circuitry. Care should be taken in the layout of such traces to avoid this possibility.

INSULATION LIFETIME

All insulation structures will eventually break down when subjected to voltage stress over a sufficiently long period. The rate of insulation degradation is dependant on the characteristics of the voltage waveform applied across the insulation. In addition to the testing performed by the regulatory agencies, Analog Devices carries out an extensive set of evaluations to determine the lifetime of the insulation structure within the ADuM4160.

ADI performs accelerated life testing using voltage levels higher than the rated continuous working voltage. Acceleration factors for several operating conditions are determined. These factors allow calculation of the time to failure at the actual working voltage. The values shown in Table 8 summarize the peak voltage for 50 years of service life for a bipolar ac operating condition, and the maximum CSA/VDE approved working voltages. In many cases, the approved working voltage is higher than 50-year service life voltage. Operation at these high working voltages can lead to shortened insulation life in some cases.

The insulation lifetime of the ADuM4160 depends on the voltage waveform type imposed across the isolation barrier. The *i*Coupler insulation structure degrades at different rates depending on whether the waveform is bipolar ac, unipolar ac, or dc. Figure 8, Figure 9, and Figure 10 illustrate these different isolation voltage waveforms.

Bipolar ac voltage is the most stringent environment. The goal of a 50-year operating lifetime under the ac bipolar condition determines ADI's recommended maximum working voltage.

In the case of unipolar ac or dc voltage, the stress on the insulation is significantly lower. This allows operation at higher working voltages while still achieving a 50 year service life. The working voltages listed in Table 8 can be applied while maintaining the 50-year minimum lifetime provided the voltage conforms to either the unipolar ac or dc voltage cases. Any cross insulation voltage waveform that does not conform to Figure 9¹ or Figure 10 should be treated as a bipolar ac waveform and its peak voltage should be limited to the 50 year lifetime voltage value listed in Table 8.

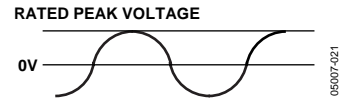


Figure 8. Bipolar AC Waveform

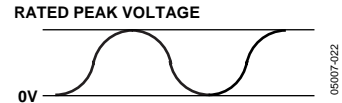


Figure 9. Unipolar AC Waveform

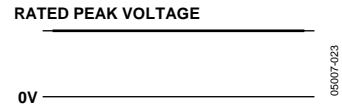
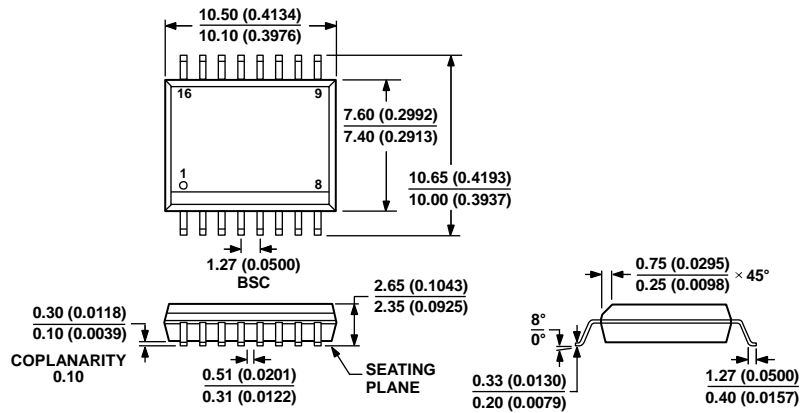


Figure 10. DC Waveform

¹ The voltage presented in figure 22 is shown as sinusoidal for illustration purposes only. It is meant to represent any voltage waveform varying between 0 and some limiting value. The limiting value can be positive or negative, but the voltage cannot cross 0V.

OUTLINE DIMENSIONS



COMPLIANT TO JEDEC STANDARDS MS-013-AA
 CONTROLLING DIMENSIONS ARE IN MILLIMETERS; INCH DIMENSIONS
 (IN PARENTHESES) ARE ROUNDED-OFF MILLIMETER EQUIVALENTS FOR
 REFERENCE ONLY AND ARE NOT APPROPRIATE FOR USE IN DESIGN.

032707-B

Figure 11. 16-Lead Standard Small Outline Package [SOIC_W]
 Wide Body (RW-16)
 Dimension shown in millimeters and (inches)

ORDERING GUIDE

Model	Number of Inputs, V _{DD1} Side	Number of Inputs, V _{DD2} Side	Maximum Data Rate (Mbps)	Maximum Propagation Delay, 5 V (ns)	Maximum Jitter (ns)	Temperature Range	Package Description	Package Option
ADuM4160BRWZ ^{1,2} EVAL-ADUM4160EBZ	2	2	12	70	3	-40°C to +105°C	16-Lead SOIC_W	RW-16

¹ Z = RoHS Compliant Part.

² Specifications represent full speed buffer configuration.