



40 PIN SMD ETHERNET 10/100 BASE QUAD
PORT TRANSFORMER

Bothhandusa.com

P/N: 40ST1053M DATA SHEET

Feature



- IEEE 802.3 Ethernet compatible, 100 BASE-TX
- Surface mountable.
- Design for multi-port repeater and Ethernet switching Hub application.
- Customer designs available for specific application.
- Operating temperature range : -40°C to +85°C .
- Storage temperature range: -40°C to +125°C .

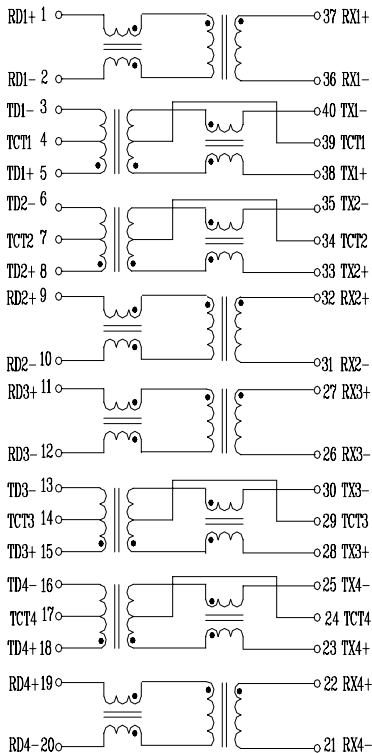
Electrical Specifications @ 25°C

Part Number	Turns Ratio (±5%)		OCL(μH Min) @100KHz/0.1Vrms 8mA DC/Bias	HI-POT (Vrms)	Rise Time (ns TYP)
	TX	RX			
40ST1053M	1CT:1CT	1:1	350	1500	2.5

Continue

Part Number	Insertion Loss (dB Max)	Return Loss (dB Min)			Cross talk (dB Min)		DCMR (dB Min)		
		0.3-100MHz	0.3-30MHz	30-60MHz	60-80MHz	0.3-60MHz	60-100MHz	60MHz	100 MHz
40ST1053M	-1.15	-16	-12	-10	-40	-35	-37	-28	-25

Schematic



Mechanical

