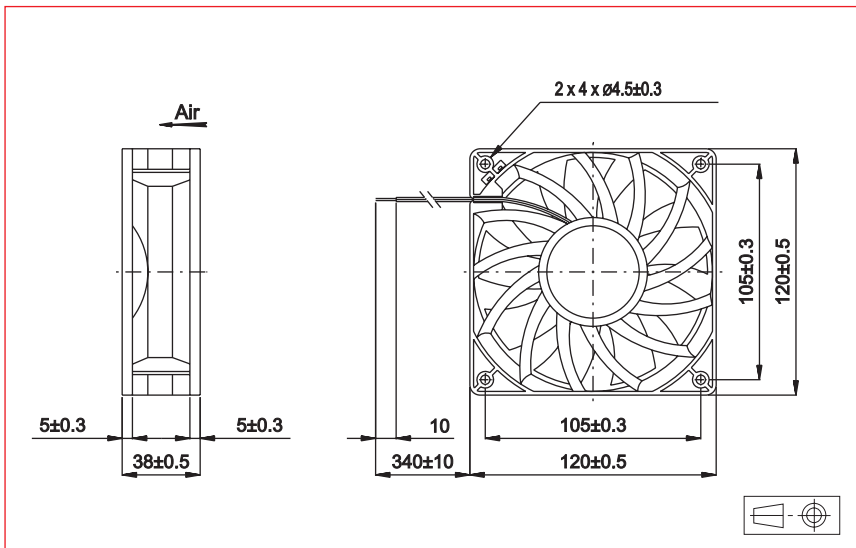


4,724" x 4,724" x 1,496" 120 x 120 x 38 mm

Series
338D

ETRI[®]

DC Axial Fans



Approvals



Life expectancy

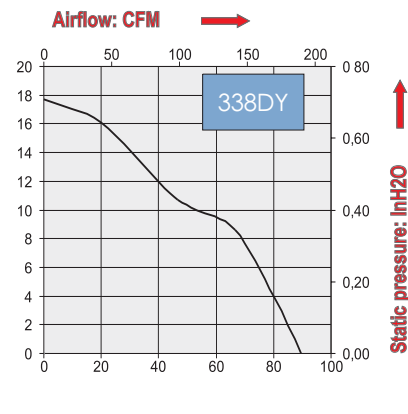
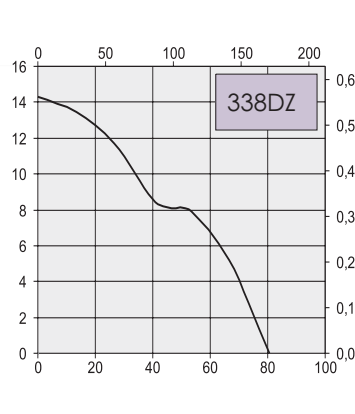
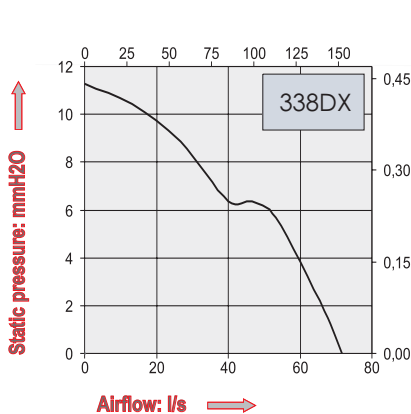
L-10 LIFE AT 40°C:
80 000 hours

Brushless DC Motor

Electrical protection: impedance protected
Housing material: plastic UL 94 VO
Impeller material: plastic UL 94 VO
Weight: 370 g
Bearing system: ball bearings

Available with:

- Speed sensor
- Alarm
- IP54 / IP55



Part Number	Nominal voltage	Airflow	Noise level	Nominal speed	Input Power	Voltage range	Connection type		Operating temperature	
	V						l/s	dB(A)	RPM	W
338DX1LP11000	12	71,7	53	3200	12,0	(7-13,2)	X		-10	60
338DX2LP11000	24	71,7	53	3200	13,4	(14-26,4)	X		-10	60
338DX4LP11000	48	71,7	53	3200	13,4	(28-56)	X		-10	60
338DZ1LP11000	12	80,7	56,5	3600	18,0	(7-13,2)	X		-10	60
338DZ2LP11000	24	80,7	56,5	3600	19,2	(14-26,4)	X		-10	60
338DZ4LP11000	48	80,7	56,6	3600	18,2	(28-56)	X		-10	60
338DY1LP11000	12	89,7	59	4000	24,0	(7-13,2)	X		-10	60
338DY2LP11000	24	89,7	59	4000	24,0	(14-26,4)	X		-10	60
338DY4LP11000	48	89,7	59	4000	24,0	(28-56)	X		-10	60

Accessories:
Refer to Accessories leaflet