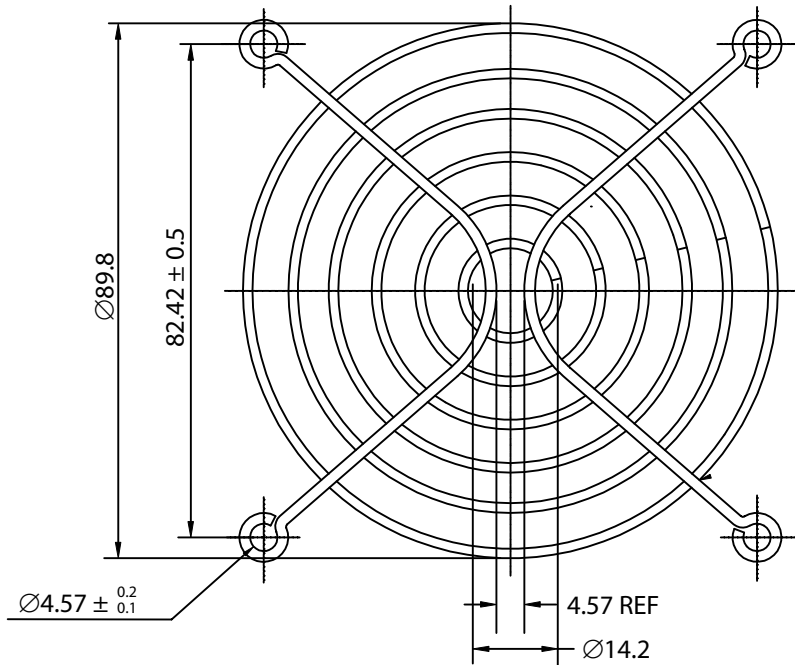


THESE DRAWINGS ARE THE PROPERTY OF QUALTEK ELECTRONICS AND NOT TO BE REPRODUCED FOR OR COMMUNICATED TO A THIRD PARTY WITHOUT THE EXPRESS WRITTEN PERMISSION OF AN OFFICER OF QUALTEK ELECTRONICS.

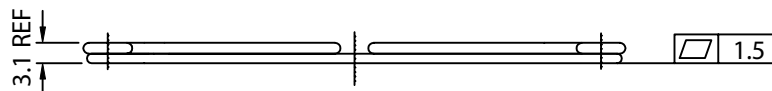
REVISION			
REV.	DESCRIPTION	DATE	APPROVED
A	RoHS Compliancy	06-01-06	DP



NOTES:

1. MATERIAL: C1008 SWRM6 BRIGHT BASIC WIRE
2. FINISH: BRIGHT NICKEL CHROME PLATING
3. 0.30 ± 0.05 DEPTH OF SERRATIONS ON WIRE
4. RING: $\varnothing 1.6 \pm 0.1$ mm
RIB: $\varnothing 1.8 \pm 0.1$ mm
5. GENERAL TOLERANCE UNLESS NOTED IS ± 0.5 mm
6. RoHS COMPLIANT

CONTROLLED



		Qualtek Electronics Corp. FAN-S DIVISION		
Dim range (mm)	Tolerance +/- (mm)	Part Number: 08189		RoHS Compliant
		Description: WIRE FORM FAN GUARD (89.8mm)		
			UNIT: mm	REV: A
		Drawn / Date	Checked / Date	Approved / Date
		B. ZHANG 03-14-05	03-14-05	JJH / 03-14-05
0-5	0.1			
5-16	0.15			
16-64	0.2			
64-250	0.4			
250-1000	0.5			
1000-1500	1.0			