

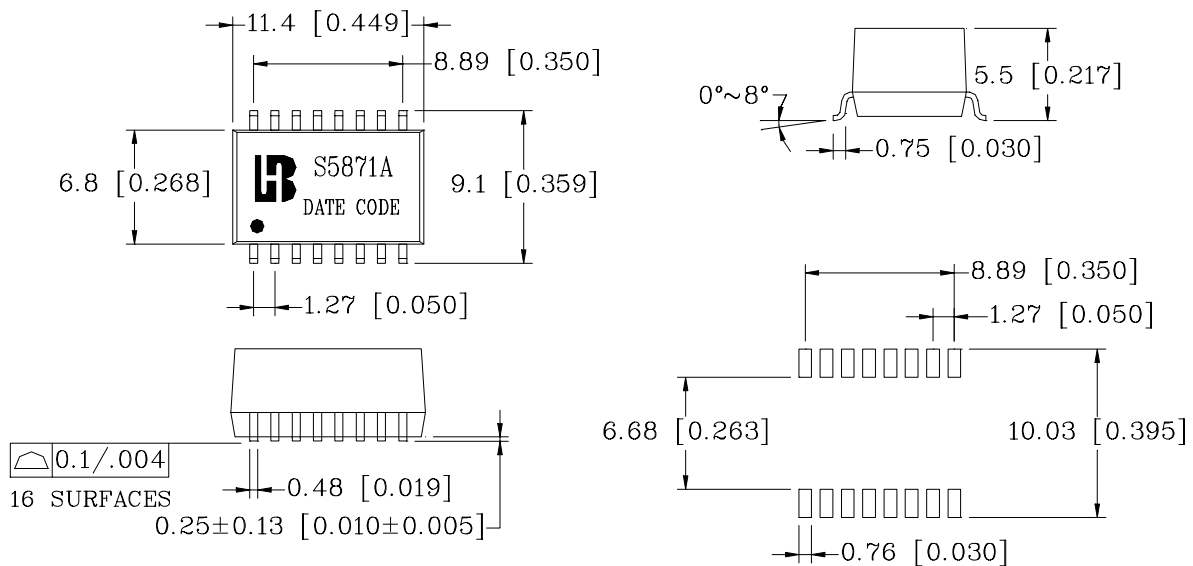
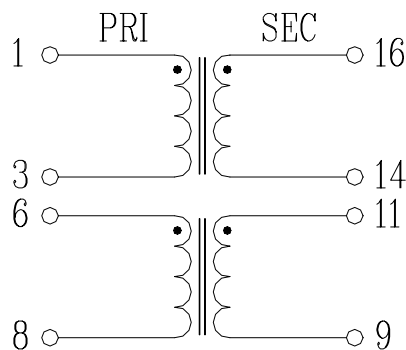
T1/CEPT TRANSFORMER

P/N:S5871A DATA SHEET

A. Electrical Specifications @25°C :

1. Turns Ratio($\pm 2\%$): 1:2 PIN 1-3:16-14 & 6-8:11-9
2. Inductance : 1.2 mH Min @ 10KHz/20 mV pin 1-3,6-8
3. Leakage Inductance : 0.6 μ H Max @100KHz/1V PIN1-3:16-14shorted PIN 6-8:11-9 shorted
4. CW/W : 30 pF Max @ 100KHz/1V PIN 1-3:16-14 & 6-8:11-9
5. D.C.R : 0.5-0.8 Ω PIN 1-3 & 6-8
6. D.C.R: 0.9-1.6 Ω PIN 16-14 & 11-9
7. HI-POT : 2000Vrms/2sec PIN 1-3:16-14 & 6-8:11-9
8. Return Loss : 20 dB Min @ 300KHz-3MHz,SEC with 300 Ω load PRI Ref 75 Ω

B. Schematics & Mechanical :



Dimensions: mm[Inches] Tolerances: ± 0.25 [0.01] PCB Suggest pad layout