

SPECIFICATIONS

| | |
|-----------------------|-----------------------------|
| Switch Function | SPST, SPDT |
| Electrical Ratings | 15A @ 125VAC 8A @ 250VAC |
| Electrical Life | 10,000 cycles typical |
| Contact Resistance | < 50 mΩ initial |
| Dielectric Strength | 1500Vrms min |
| Insulation Resistance | > 100MΩ min |
| Operating Temperature | -40°C to 85°C |
| Storage Temperature | -40°C to 85°C |



RA US - 222871

MATERIALS

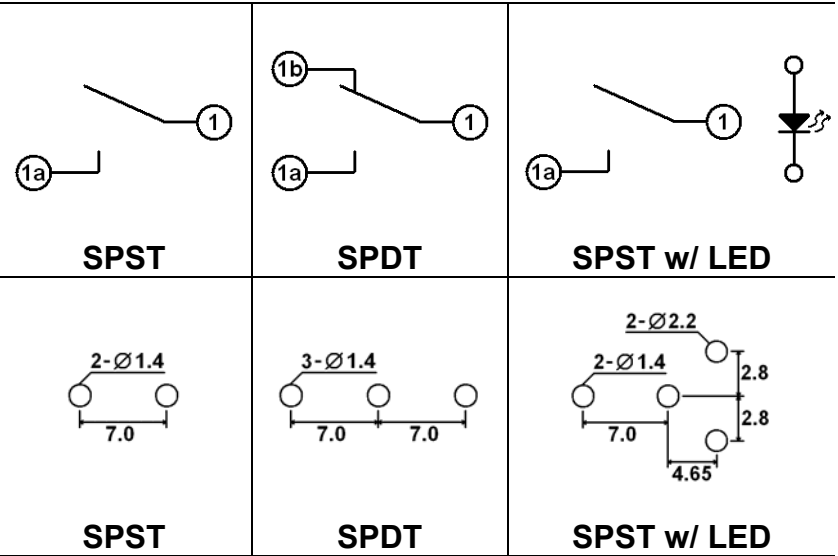
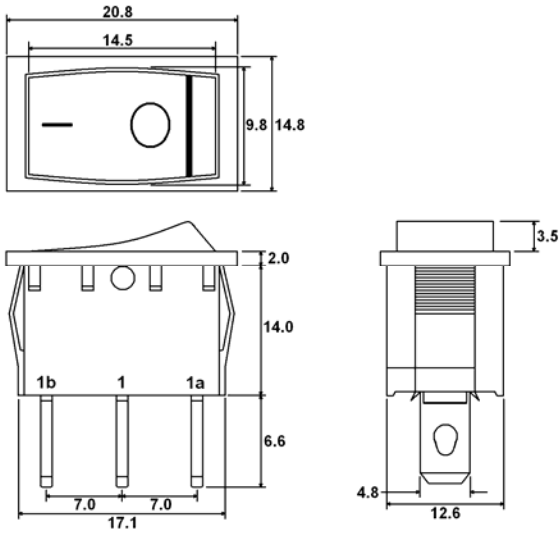
| | |
|-----------|------------------|
| Actuator | 6/6 Nylon |
| Housing | 6/6 Nylon |
| Contacts | Silver Alloy |
| Terminals | Brass, Sn Plated |

ORDERING INFORMATION

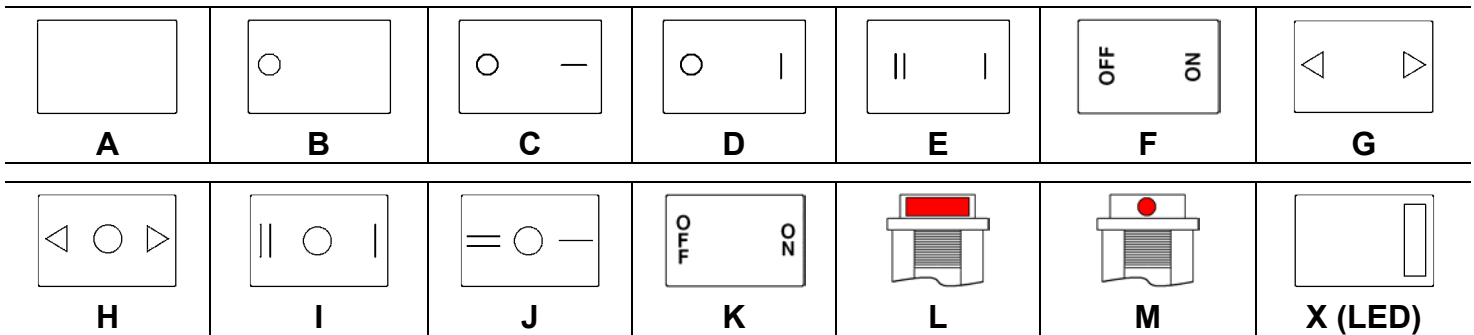
| | | | | | | | | |
|--|----|---|---|---|---|---|---|---|
| 1. Series: RA | RA | 1 | 1 | 2 | 2 | C | W | C |
| 2. Number of Poles: 1 = Single Pole | | | | | | | | |
| 3. Switch Function: 1 = OFF-ON **LED only available with this function 2 = OFF-(ON) 3 = (OFF)-ON 4 = ON-ON 5 = ON-(ON) 6 = ON-OFF-ON 7 = (ON)-OFF-(ON) 8 = ON-OFF-(ON) | | | | | | | | |
| 4. Housing Color: 1 = White 2 = Black 9 = Gray | | | | | | | | |
| 5. Actuator Color: 1 = White 2 = Black 3 = Red 6 = Orange 7 = Blue 9 = Gray | | | | | | | | |
| 6. Actuator Marking: A D G J M B E H K X **X marking used with LED only C F I L | | | | | | | | |
| 7. Actuator Marking Color: Blank = No Marking **Use this option for X actuator marking (LED) B = Black W = White R = Red | | | | | | | | |
| 8. Terminal Options: C = .187" Quick Connects / Solder Lug P = PC Pins R = Right Angle PC Pins ** Not available with LED option L = Left Angle PC Pins ** Not available with LED option | | | | | | | | |
| 9. LED Options: (For use with ON-OFF function & "X" actuator marking only) Blank = No LED R = Red B = Blue Y = Yellow G = Green | | | | | | | | |

DIMENSIONS

SCHEMATICS & PC LAYOUTS



ACTUATOR MARKING OPTIONS



TERMINAL OPTIONS

