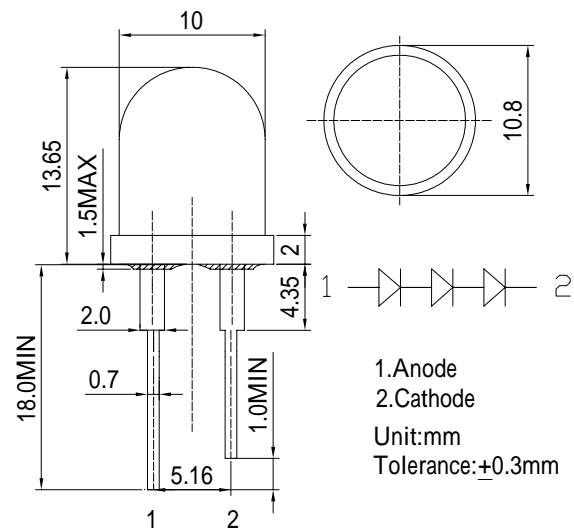


**Features**

- High Luminous LEDs
- 10mm Standard Directivity
- Superior Weather-resistance
- UV Resistant Epoxy
- Water Clear Type

**Applications**

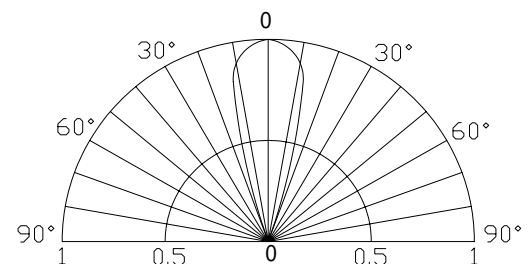
- Electronic Signs And Signals
- Illuminations
- Medical instruments light
- Other Lighting

**Outline Dimension**

**Absolute Maximum Rating**

(Ta=25 )

| Item                       | Symbol    | Value      | Unit |
|----------------------------|-----------|------------|------|
| DC Forward Current         | $I_F$     | 25         | mA   |
| Pulse Forward Current*     | $I_{FP}$  | 100        | mA   |
| Reverse Voltage            | $V_R$     | 15         | V    |
| Power Dissipation          | $P_D$     | 270        | mW   |
| Operating Temperature      | $T_{opr}$ | -30 ~ +85  |      |
| Storage Temperature        | $T_{stg}$ | -40 ~ +100 |      |
| Lead Soldering Temperature | $T_{sol}$ | 260 /5sec  | -    |

\*Pulse width Max 10ms , Duty ratio max 1/10

**Directivity**

**Electrical -Optical Characteristics**

(Ta=25 )

| Item                | Symbol          | Condition  | Min. | Typ.  | Max. | Unit    |
|---------------------|-----------------|------------|------|-------|------|---------|
| DC Forward Voltage  | $V_F$           | $I_F=20mA$ | 8.7  | 9.3   | 10.8 | V       |
| DC Reverse Current  | $I_R$           | $V_R=15V$  | -    | -     | 10   | $\mu A$ |
| Domi Wavelength*    | $\lambda_D$     | $I_F=20mA$ | 520  | 525   | 530  | nm      |
| Luminous Intensity* | $I_v$           | $I_F=20mA$ | -    | 14000 | -    | mcd     |
| 50% Power Angle     | $2\theta_{1/2}$ | $I_F=20mA$ | -    | 30    | -    | deg     |

 \*1 Tolerance of dominant wavelength is  $\pm 1nm$ 

 \*2 Tolerance of luminous intensity is  $\pm 15\%$