

Flatpack Four-Way Power Divider, 25 - 1000 MHz

Rev. V4

Features

- Insertion Loss: 0.5 dB Typical Midband
- Isolation: 38 dB Typical Midband
- VSWR: 1.2:1 Typical Midband
- Impedance: 50 Ohms Nominal
- Maximum Power Rating or Input Power: 1 Watt Max.
- Internal Load Dissipation: 0.05 Watts Max.
- MIL-STD-883 Screening Available

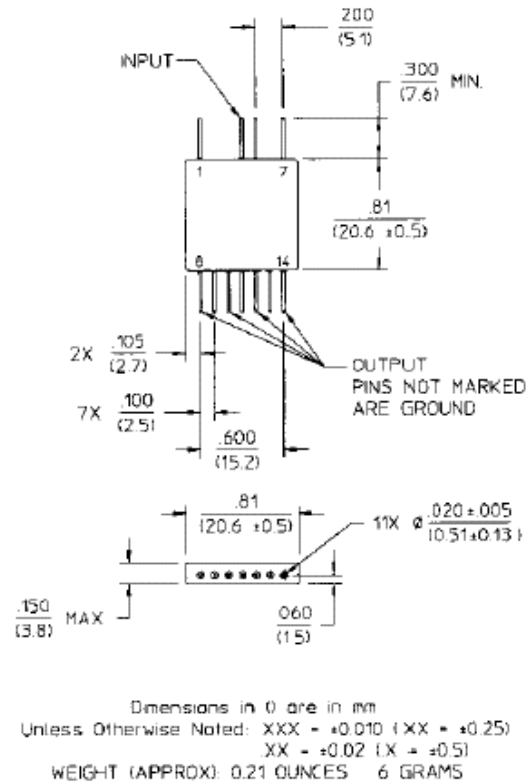
FP-5

Description

A Power Divider is ideally a lossless reciprocal device which can also perform vector summation of two or more signals and thus is sometimes called a power combiner or summer.

Pin Configuration

Pin No.	Function	Pin No.	Function
1	GND	8	Output
2	None	9	GND
3	None	10	Output
4	Input	11	GND
5	GND	12	Output
6	None	13	GND
7	GND	14	Output



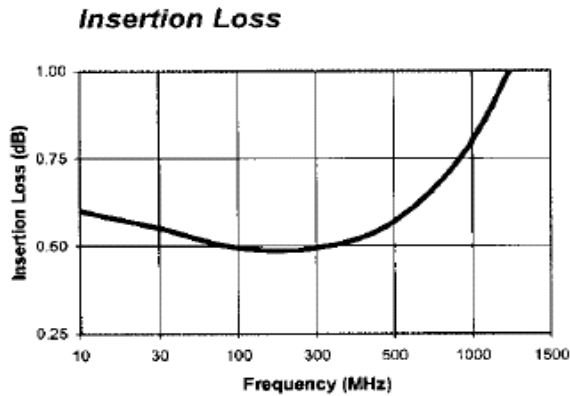
Electrical Specifications¹: T_A = -55°C to +85°C

Parameter	Test Conditions	Frequency	Units	Min	Typ	Max
Insertion Loss	Less Coupling	25 - 200 MHz	dB	—	—	0.75
		25 - 1000 MHz	dB	—	—	1.0
Isolation	—	25 - 1000 MHz	dB	20	—	—
Amplitude Balance	—	25 - 1000 MHz	dB	—	—	0.25
Phase Balance	—	25 - 500 MHz	°	—	—	3
		500 - 1000 MHz	°	—	—	6
VSWR	Input	25 - 500 MHz	Ratio	—	—	1.3:1
	Output	500 - 1000 MHz	Ratio	—	—	1.4:1

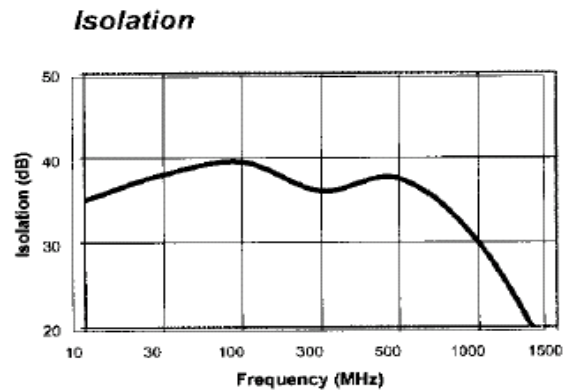
1. All specifications apply with 50 ohm source and load impedance.
This product contains elements protected by United States Patent Number 3,428,920.

Typical Performance Curves

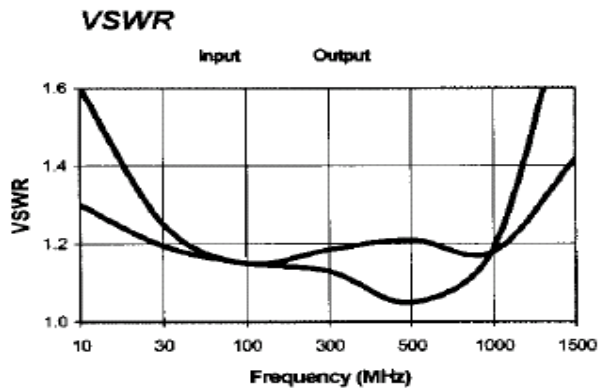
Insertion Loss



Isolation



VSWR



Ordering Information

Part Number	Package
DS-324 PIN	FP-5