



# System Supervisory Voltage Reset with Watchdog and Manual Reset



## FEATURES

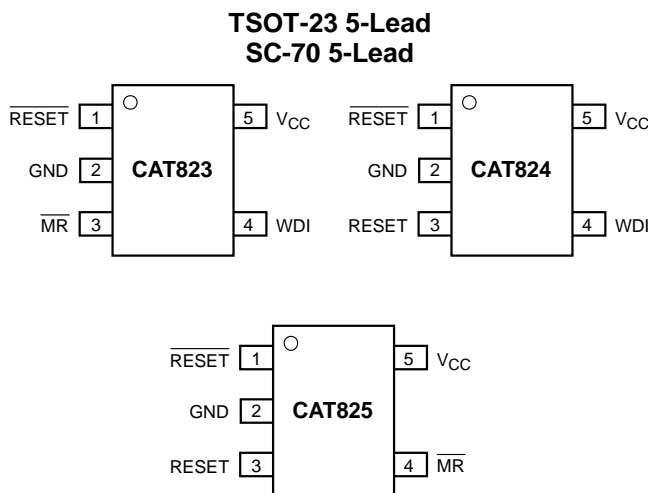
- n Automatically restarts microprocessor after Power failure
- n Monitors pushbutton for external override
- n Accurate under voltage system monitoring
- n Brownout detection system reset for use with 3.0, 3.3, and 5.0 volt systems
- n Pin and function compatible with the MAX823/24/25 products
- n Operating Range from -40°C to +85°C
- n Available in TSOT-23 5-lead and SC-70 packages

For Ordering Information details, see page 13 & 14.

## APPLICATIONS

- n Microprocessor and Microcontroller based systems
- n Intelligent Instruments
- n Control Systems
- n Critical  $\mu$ P Monitors
- n Portable Equipment

## PIN CONFIGURATION



## DESCRIPTION

The CAT823, CAT824, and CAT825 provide basic reset and monitoring functions for the electronic systems. Each device monitors the system voltage and maintains a reset output until that voltage reaches the device's specified trip value and then maintains the reset output active condition until the device's internal timer, after a minimum timer of 140ms; to allow the systems power supply to stabilize.

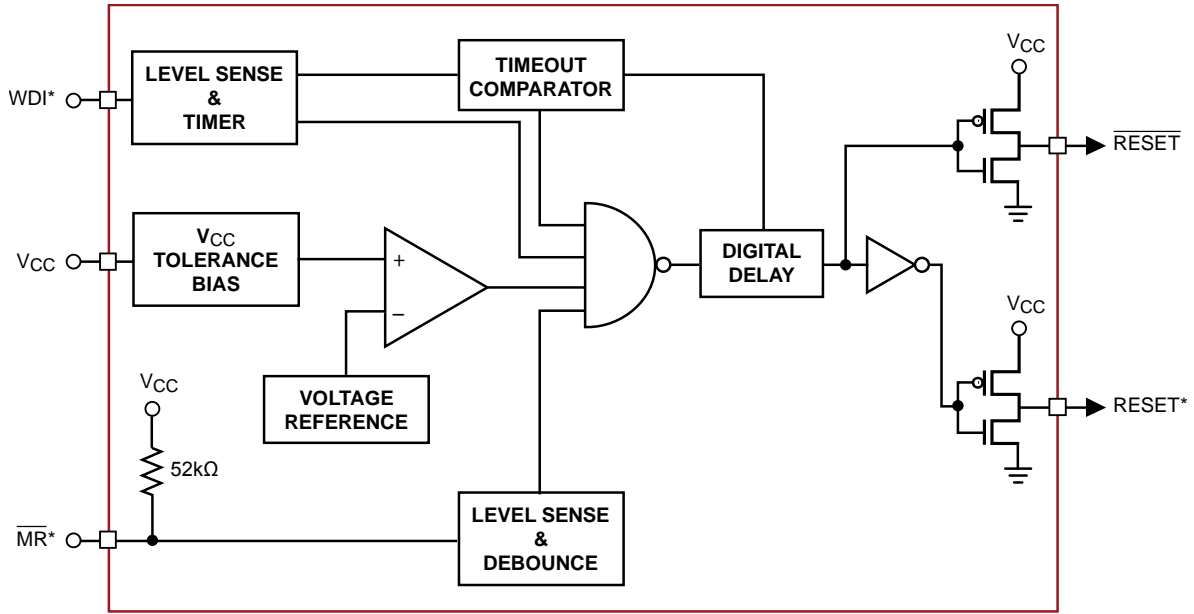
The CAT823 and CAT824 also have a watchdog input which can be used to monitor a system signal and cause a reset to be issued if the signal fails to change state prior to a timeout condition.

The CAT823 and CAT825 also provide a manual reset input which can be used to initiate reset if pulled low. This input can be directly attached to a pushbutton or a processor signal.

## PIN FUNCTIONS

Pin Name	Function
RESET	CMOS Push-Pull Active Low Reset Output
GND	Ground
MR	Manual Reset input – Pulled high Internally by a 52kΩ resistor designed to be driven low by a mechanical pushbutton, open drain output or CMOS output.
RESET	CMOS Push-Pull Active High Reset Output
WDI	Watchdog Timer Input – Designed to be driven by a processor output or can be disabled by tri-stating or leaving open.
V <sub>CC</sub>	Power Supply

**BLOCK DIAGRAM**



\* Functions Available by Device

Device	RESET	RESET	MR	WDI
CAT823	x		x	x
CAT824	x	x		x
CAT825	x	x	x	

**ABSOLUTE MAXIMUM RATINGS<sup>(1)</sup>**

Parameters	Ratings	Units
Supply Voltage	6	V
All other pins	-0.3 to ( $V_{CC} + 0.3$ )	V
Input Current, $V_{CC}$	20	mA
Output Current RESET, $\overline{RESET}$	20	mA
Continuous Power Dissipations ( $T_A = +70^\circ\text{C}$ )		
SC-70 5-lead (derate 3.1mW/ $^\circ\text{C}$ above $+70^\circ\text{C}$ )	247	mW
TSOT-23 5-lead (derate 7.1mW/ $^\circ\text{C}$ above $+70^\circ\text{C}$ )	571	mW
Storage Temperature	-65 to 150	$^\circ\text{C}$
Operating Ambient Temperature	-40 to +85	$^\circ\text{C}$
Lead Soldering (10 seconds max)	+300	$^\circ\text{C}$
ESD Rating: Low Voltage Pins		
Human Body Model	2000	V
Machine Model	200	V

**RECOMMENDED OPERATING CONDITIONS**

Parameter	Range	Units
$V_{CC}$ ( $T_A = 0^\circ\text{C}$ to $+70^\circ\text{C}$ )	1.0 to 5.5	V
$V_{CC}$ ( $T_A = -40^\circ\text{C}$ to $+85^\circ\text{C}$ )	1.2 to 5.5	V
All Other Pins	-0.1 to ( $V_{CC} + 0.1$ )	V
Ambient Temperature	-40 to +85	$^\circ\text{C}$

**Notes:**

- (1) Stresses above those listed under "Absolute Maximum Ratings" may cause permanent damage to the device. These are stress ratings only, and functional operation of the device at these or any other conditions outside of those listed in the operational sections of this specification is not implied. Exposure to any absolute maximum rating for extended periods may affect device performance and reliability.

## CAT823, CAT824, CAT825

### ELECTRICAL OPERATING CHARACTERISTICS

DC Characteristics:  $V_{CC} = 3.0V$  to  $5.5V$  for L/M versions;  $V_{CC} = 2.0V$  to  $3.6V$  for the R/S/T/Y/Z version,  $-40^{\circ}C \leq T_A \leq +85^{\circ}C$  unless otherwise noted. Typical Values at  $T_A = 25^{\circ}C$  and  $V_{CC} = 5V$  for L/M versions;  $V_{CC} = 3.3V$  for the T/S versions;  $V_{CC} = 3.0V$  for the R version; and  $V_{CC} = 2.5V$  for the Y/Z versions.<sup>(1)</sup>

Symbol	Parameter	Conditions	Min	Typ	Max	Units
$I_{CC}$	Supply Current	CAT823 (L/M Versions) CAT824 (L/M Versions)		6	17	$\mu A$
		CAT823 (R/S/T/Y/Z Versions) CAT824 (R/S/T/Y/Z Versions)		4	12	$\mu A$
		CAT825 (L/M Versions)		3	8	$\mu A$
		CAT825 (R/S/T/Y/Z Versions)		2	6	$\mu A$
$V_{RST}$	Reset Threshold	CAT82_L at $-40^{\circ}C \leq T_A \leq +85^{\circ}C$	4.50	4.63	4.75	V
		CAT82_M at $-40^{\circ}C \leq T_A \leq +85^{\circ}C$	4.25	4.38	4.50	V
		CAT82_T at $-40^{\circ}C \leq T_A \leq +85^{\circ}C$	3.00	3.08	3.15	V
		CAT82_S at $-40^{\circ}C \leq T_A \leq +85^{\circ}C$	2.85	2.93	3.00	V
		CAT82_R at $-40^{\circ}C \leq T_A \leq +85^{\circ}C$	2.55	2.63	2.70	V
		CAT82_Z at $-40^{\circ}C \leq T_A \leq +85^{\circ}C$	2.25	2.32	2.38	V
		CAT82_Y at $-40^{\circ}C \leq T_A \leq +85^{\circ}C$	2.13	2.19	2.25	V
	Reset Threshold Tempco			40		ppm/ $^{\circ}C$
	Reset Threshold Hysteresis	CAT82_L/M		10		mV
		CAT82_R/S/T/Y/Z		5		mV
$t_{RD}$	$V_{CC}$ to Reset Delay <sup>(2)</sup>	$V_{CC} = V_{TH}$ to $(V_{TH} - 100mV)$		20		$\mu s$
$t_{RP}$	Reset Active Timeout Period		140	200	400	ms
$V_{OH}$	RESET Output High Voltage	CAT82_L/M, $V_{CC} = V_{RST\ max}$ , $I_{SOURCE} = -120\mu A$	$V_{CC} - 1.5V$			V
		CAT82_T/S/R/Z/Y, $V_{CC} = V_{RST\ max}$ , $I_{SOURCE} = -30\mu A$	$0.8 \times V_{CC}$			
$V_{OL}$	RESET Output Low Voltage	CAT82_L/M, $V_{CC} = V_{RST\ min}$ , $I_{SINK} = 3.2mA$			0.4	V
		CAT82_T/S/R/Z/Y, $V_{CC} = V_{RST\ min}$ , $I_{SINK} = 1.2mA$			0.3	
		$T_A = 0^{\circ}C$ to $+70^{\circ}C$ , $V_{CC} = 1V$ , $V_{CC}$ falling, $I_{SINK} = 50\mu A$			0.3	
		$T_A = T_{MIN}$ to $T_{MAX}$ , $V_{CC} = 1.2V$ , $V_{CC}$ falling, $I_{SINK} = 100\mu A$			0.3	
$I_{SOURCE}$	RESET Output Short-Circuit Current	CAT82_L/M, Reset = 0V, $V_{CC} = 5.5V$			1.5	mA
		CAT82_L/M, Reset = 0V, $V_{CC} = 3.6V$			0.8	
$V_{OH}$	Reset Output Voltage	$V_{CC} > 1.8V$ , $I_{SOURCE} = -150\mu A$	$0.8 \times V_{CC}$			V
$V_{OL}$		CAT824L/M & CAT825L/M, $V_{CC} = V_{RST\ max}$ , $I_{SINK} = 3.2mA$			0.4	
		CAT824R/S/T/Y/Z & CAT825R/S/T/Y/Z, $V_{CC} = V_{RST\ max}$ , $I_{SINK} = 1.2mA$			0.3	

#### Notes:

- Over-temperature limits are guaranteed by design and not production tested.
- The RESET short-circuit current is the maximum pull-up current when reset is driven low by a bidirectional output.

**ELECTRICAL OPERATING CHARACTERISTICS (continued)**

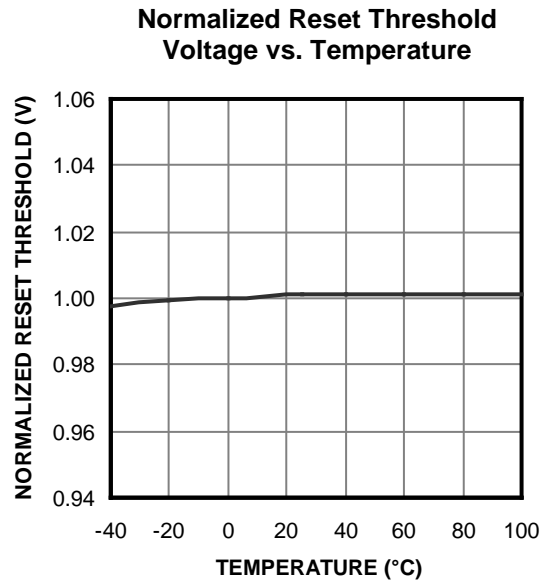
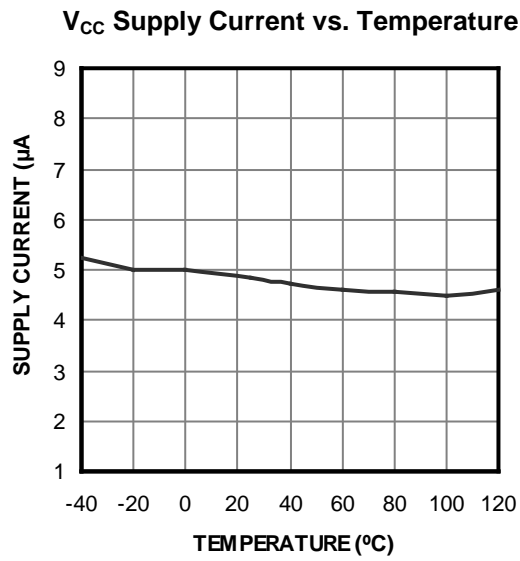
DC Characteristics:  $V_{CC} = 3.0V$  to  $5.5V$  for L/M versions;  $V_{CC} = 2.0V$  to  $3.6V$  for the R/S/T/Y/Z version,  $-40^{\circ}C \leq T_A \leq +85^{\circ}C$  unless otherwise noted. Typical Values at  $T_A = 25^{\circ}C$  and  $V_{CC} = 5V$  for L/M versions;  $V_{CC} = 3.3V$  for the T/S versions;  $V_{CC} = 3.0V$  for the R version; and  $V_{CC} = 2.5V$  for the Y/Z versions.

Symbol	Parameter	Conditions	Min	Typ	Max	Units
<b>WATCHDOG INPUT (CAT823 &amp; CAT824)</b>						
$t_{WD}$	Watchdog Timeout Period		1.12	1.60	3.20	s
$t_{WDI}$	WDI Pulse Width	$V_{IL} = 0.4V, V_{IH} = 0.8 \times V_{CC}$	50			ns
$V_{IL}$	WDI Input Voltage <sup>(3)</sup>				$0.3 \times V_{CC}$	V
$V_{IH}$			$0.7 \times V_{CC}$			
	WDI Input Current <sup>(4)</sup>	WDI = $V_{CC}$ , Time Average		120	160	$\mu A$
		WDI = $0V$ , Time Average	-20	-15		
<b>MANUAL RESET INPUT(CAT823 &amp; CAT825)</b>						
$V_{IL}$	$\overline{MR}$ Input Voltage				$0.3 \times V_{CC}$	V
$V_{IH}$			$0.7 \times V_{CC}$			
$t_{PB}$	$\overline{MR}$ Pulse Width		1			$\mu s$
$t_{PDLY}$	$\overline{MR}$ low to Reset Delay				5	$\mu s$
	MR Noise Immunity	Pulse Width with No Reset		100		ns
	MR Pullup Resistance (internal)		35	52	75	k $\Omega$

**Notes:**

- (3) WDI is internally serviced within the watchdog period if WDI is left open.
- (4) The WDI input current is specified as an average input current when the WDI input is driven high or low. The WDI input if connected to a three-stated output device can be disabled in the tristate mode as long as the leakage current is less than  $10\mu A$  and a maximum capacitance of less than  $200pF$ . To clock the WDI input in the active mode the drive device must be able to source or sink at least  $200\mu A$  when active.

TYPICAL ELECTRICAL OPERATING CHARACTERISTICS



## FUNCTIONAL DESCRIPTION

### PROCESSOR RESET

The CAT823-825 detect supply voltage ( $V_{CC}$ ) conditions that are below the specified voltage trip value ( $V_{RST}$ ) and provide a reset output to maintain correct system operation. On power-up,  $\overline{RESET}$  (and RESET if available) are kept active for a minimum delay  $t_{RP}$  of 140ms after the supply voltage ( $V_{CC}$ ) rises above  $V_{RST}$  to allow the power supply and processor to stabilize. When  $V_{CC}$  drops below the voltage trip value ( $V_{RST}$ ), the reset output signals  $\overline{RESET}$  (and RESET) are pulled active.  $\overline{RESET}$  (and RESET if available) is specifically designed to provide the reset input signals for processors. This provides reliable and consistent operation as power is turned on, off or during brownout conditions by maintaining the processor operation in known conditions.

### MANUAL RESET

The CAT823 and CAT825 each have a Manual Reset ( $\overline{MR}$ ) input to allow for alternative control of the reset outputs. The  $\overline{MR}$  input is designed for direct connection to a pushbutton (see Figure 1). The  $\overline{MR}$  input is internally pulled up by 52k $\Omega$  resistor and must be pulled low to cause the reset outputs to go active. Internally, this input is debounced and timed such that  $\overline{RESET}$  (and RESET) signals of at least 140ms minimum will be generated. The min 140ms  $t_{RP}$  delay commences as the Manual Reset input is released from the low level. (see Figure 2)

Figure 1. Pushbutton RESET

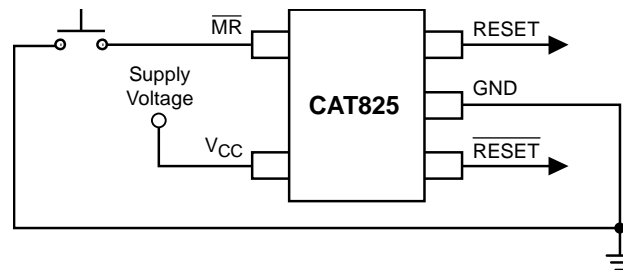
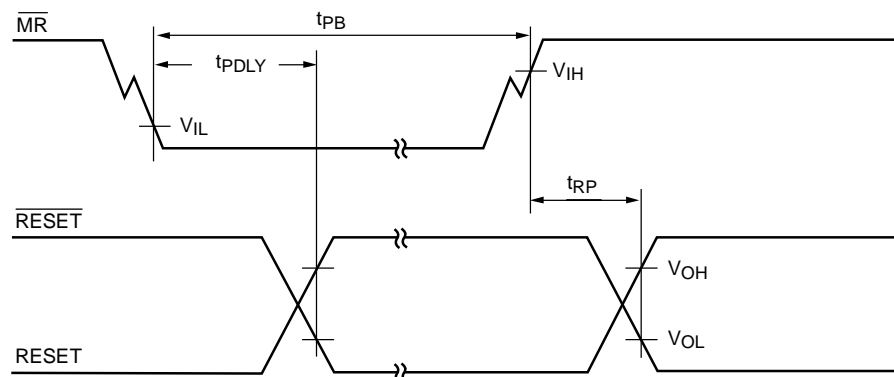


Figure 2. Timing Diagram – Pushbutton RESET



**WATCHDOG TIMER**

The CAT823 and CAT824 provide a Watchdog input (WDI). The watchdog timer function forces **RESET** (and **RESET** in the CAT824) signals active when the WDI input does not have a transition from low-to-high or high-to-low within 1.12 seconds. Timeout of the watchdog starts when **RESET** (**RESET** on the CAT824) becomes inactive. If a transition occurs on the WDI input pin prior to the watchdog time-out, the watchdog timer is reset and begins to time-out again. If the watchdog timer is allowed to time-out, then the reset output(s) will go active for  $t_{RP}$  and once released will repeat the watchdog timeout process.

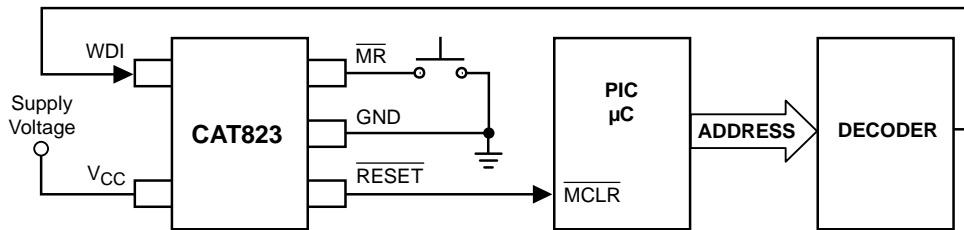
can be used to strobe the watchdog input. The most reliable is a dedicated I/O output transitioned by a specific software instruction.

The watchdog can be disabled by floating (or tri-stating) the WDI input (see Figure 4). If the watchdog is disabled the WDI pin will be pulled low for the first 7/8<sup>th</sup>s of the watchdog period ( $t_{WD}$ ) and pulled high for the last 1/8<sup>th</sup> of the watchdog period. This pulling low of the WDI input and then high is used to detect an open or tri-state condition and will continue to repeat until the WDI input is driven high or low.

Figure 3 below shows a typical implementation of a watchdog function. Any processor signal that repeats dependant on the normal operation of the processor or directed by the software operating on the processor

For most efficient operation of devices with the watchdog function the WDI input should be held low the majority of the time and only strobed high as required to reset the watchdog timer.

**Figure 3. Watchdog Timer**



**Figure 4. Watchdog Disable Circuit**

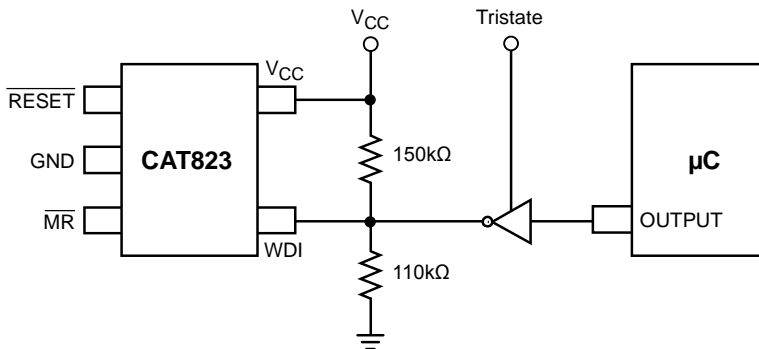




Figure 5. Timing Diagram – Strobe Input

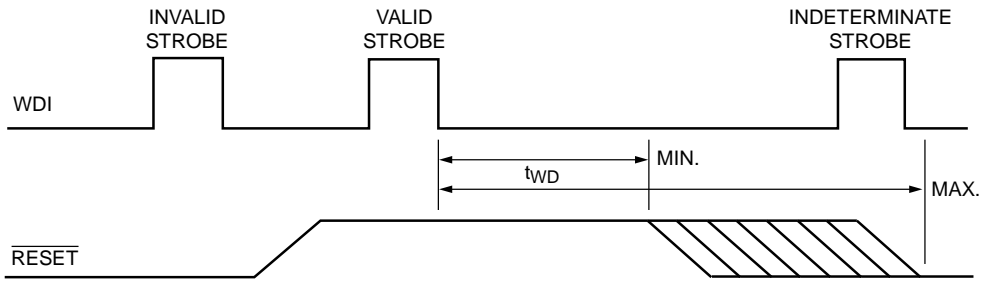


Figure 6. Timing Diagram – Power Down

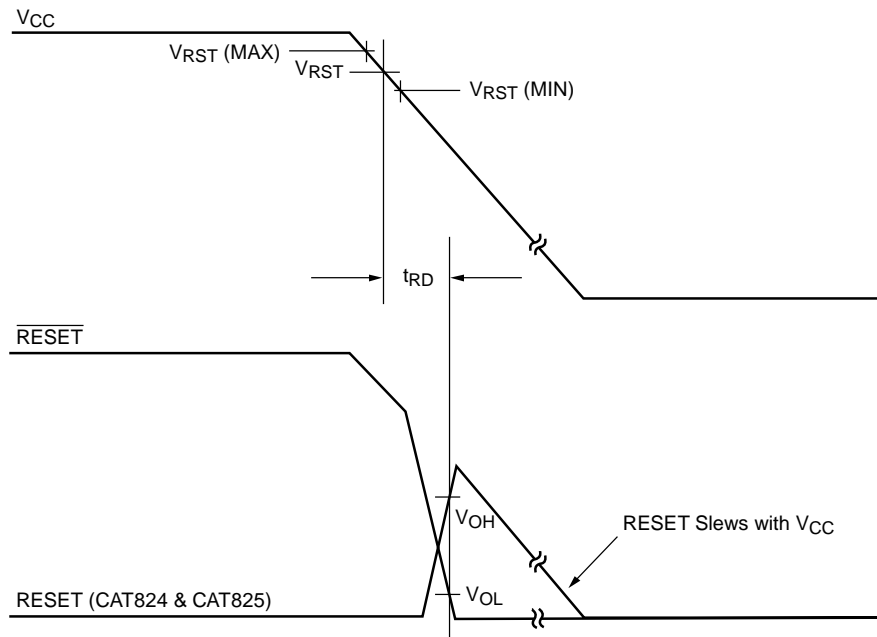
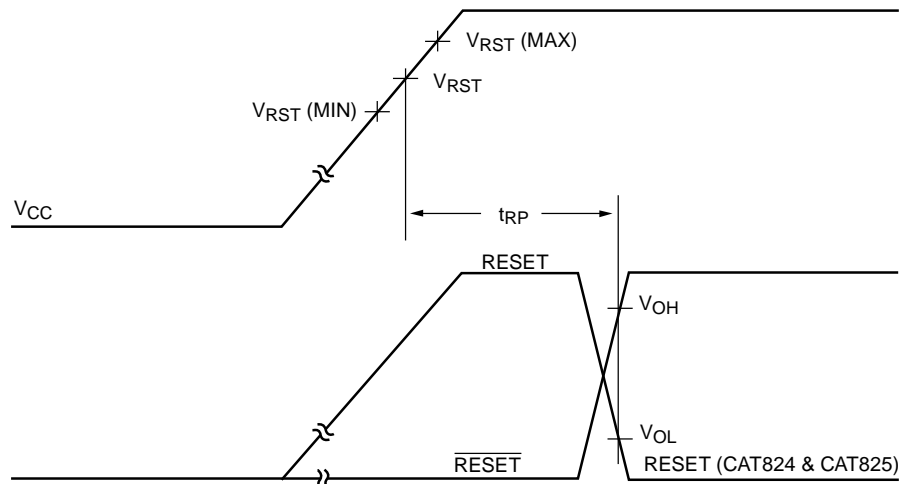


Figure 7. Timing Diagram – Power Up



## APPLICATION NOTES

### μP's with Bidirectional Reset Pins

The RESET output can be pulled low by processors like the 68HC11 allowing for a system reset issued by the processor. The maximum pullup current that can be sourced by the CAT82\_L/M is 1.5mA (and by the CAT82\_T/R/S/Z/Y is 800μA) allowing the processor to pull the output low even when the CAT82x is pulling it high.

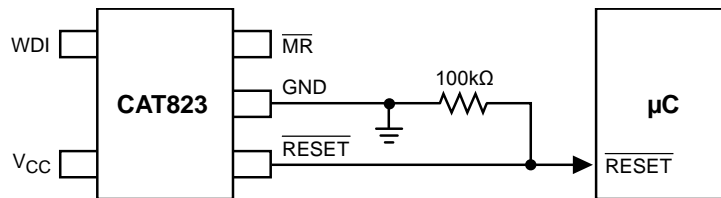
### Power Transients

Generally short duration negative-going transients of less than 2μs on the power supply at V<sub>RST</sub> minimum will not cause a reset condition. However the lower the voltage of the transient the shorter the required time to cause a reset output. These issues can usually be remedied by the proper location of bypass capacitance on the circuit board.

## OUTPUT VALID CONDITIONS

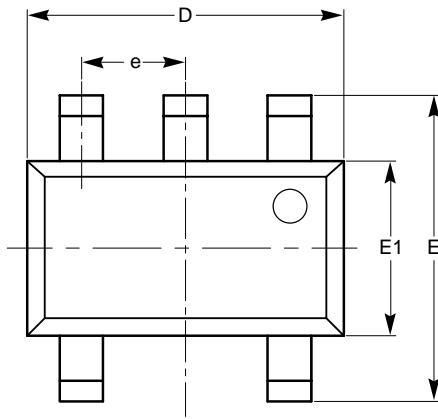
The RESET output uses a push-pull output which can maintain a valid output down to a V<sub>CC</sub> of 1.0 volts. To sink current below 0.8V a resistor can be connected from RESET to Ground (see Figure 8.) This arrangement will maintain a valid value on the RESET output during both power up and down but will draw current when the RESET output is in the high state. A resistor value of about 100kΩ should be adequate in most situations to maintain a low condition valid output down to V<sub>CC</sub> equal to 0V.

Figure 8. RESET Valid to 0 Volts V<sub>CC</sub>



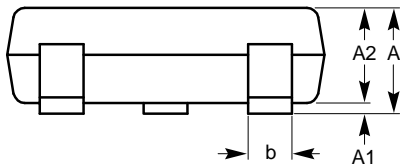
PACKAGE OUTLINE DRAWINGS

TSOT-23 5-Lead (TD)<sup>(1)(2)</sup>

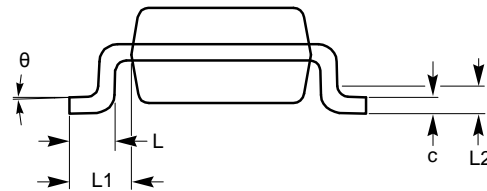


TOP VIEW

SYMBOL	MIN	NOM	MAX
A			1.00
A1	0.01	0.05	0.10
A2	0.80	0.87	0.90
b	0.30		0.45
c	0.12	0.15	0.20
D	2.90 BSC		
E	2.80 BSC		
E1	1.60 BSC		
e	0.95 TYP		
L	0.30	0.40	0.50
L1	0.60 REF		
L2	0.25 BSC		
$\theta$	0°		8°



SIDE VIEW



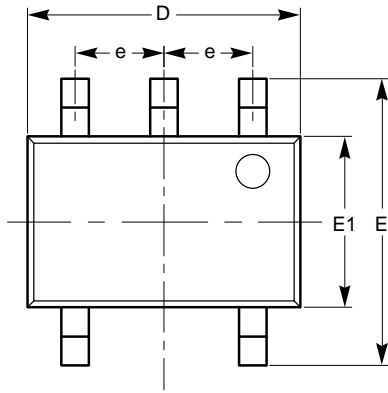
END VIEW

Notes:

- (1) All dimensions in millimeters. Angles in degrees.
- (2) Complies with JEDEC standard MO-193.

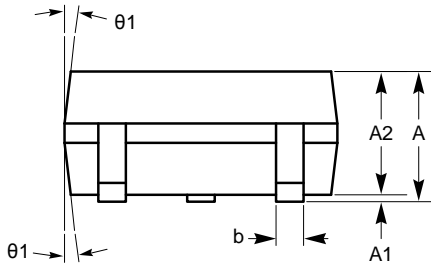
# CAT823, CAT824, CAT825

## SC-70 5-Lead (SD)<sup>(1)(2)</sup>

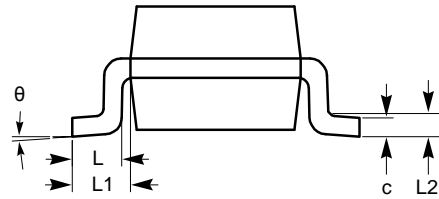


TOP VIEW

SYMBOL	MIN	NOM	MAX
A	0.80		1.10
A1	0.00		0.10
A2	0.80		1.00
b	0.15		0.30
c	0.10		0.18
D	1.80	2.00	2.20
E	1.80	2.10	2.40
E1	1.15	1.25	1.35
e	0.65 BSC		
L	0.26	0.36	0.46
L1	0.42 REF		
L2	0.15 BSC		
$\theta$	0°		8°
$\theta_1$	4°		10°



SIDE VIEW

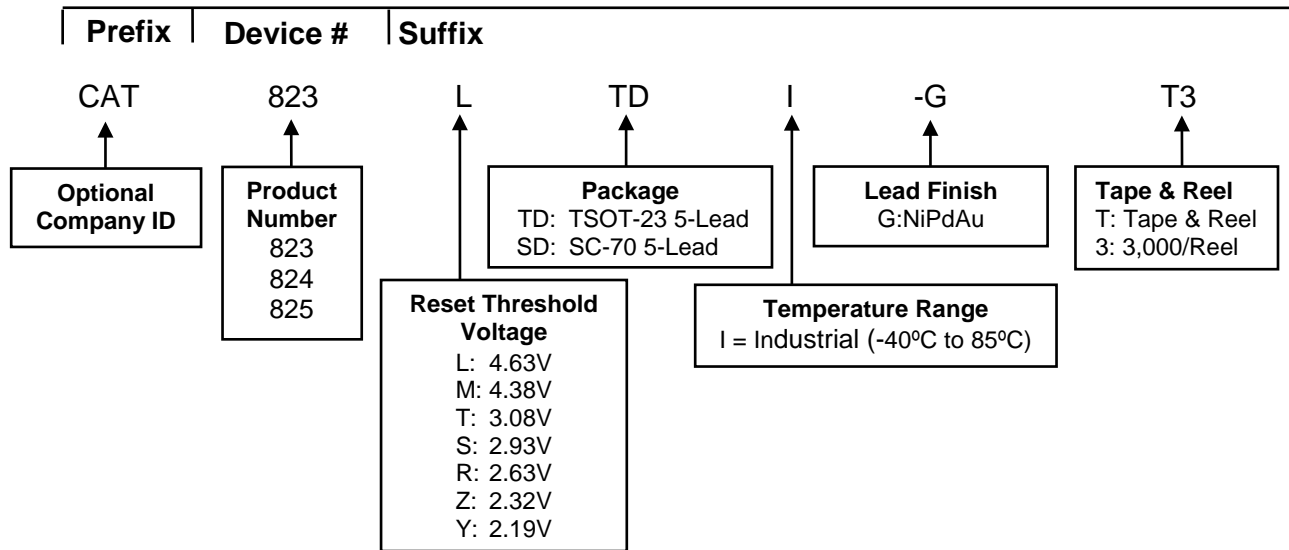


END VIEW

**Notes:**

- (1) All dimensions in millimeters. Angles in degrees.
- (2) Complies with JEDEC MO-203.

**EXAMPLE OF ORDERING INFORMATION**



**TOP MARKING INFORMATION (FOR ALL THRESHOLDS)**

Device #	Package	Top Marking
CAT823	TSOT-23	TS
CAT824	TSOT-23	TB
CAT825	TSOT-23	TD
CAT823	SC-70	RG
CAT824	SC-70	TB
CAT825	SC-70	TD

**Notes:**

- (1) All packages are RoHS-compliant (Lead-free, Halogen-free).
- (2) The standard lead finish is NiPdAu.
- (3) This device used in the above example is a CAT823LTDI -GT3 (4.63V, TSOT-23 5-Lead, Industrial Temperature, NiPdAu, Tape & Reel, 3,000/Reel,
- (4) Contact factory for package availability.


# CAT823, CAT824, CAT825

## ORDERING INFORMATION

Device	Reset Threshold	Inputs		Outputs		Package
		MR	WDI	RESET	RESET	
CAT823LTDI-GT3	4.63V	.	.	.		TSOT-23-5
CAT823MTDI-GT3	4.38V	.	.	.		
CAT823TTDI-GT3	3.08V	.	.	.		
CAT823STDI-GT3	2.93V	.	.	.		
CAT823RTDI-GT3	2.63V	.	.	.		
CAT823ZTDI-GT3	2.32V	.	.	.		
CAT823YTDI-GT3	2.19V	.	.	.		
CAT823LSDI-GT3	4.63V	.	.	.		SC-70-5
CAT823MSDI-GT3	4.38V	.	.	.		
CAT823TSDI-GT3	3.08V	.	.	.		
CAT823SSDI-GT3	2.93V	.	.	.		
CAT823RSDI-GT3	2.63V	.	.	.		
CAT823ZSDI-GT3	2.32V	.	.	.		
CAT823YSDI-GT3	2.19V	.	.	.		
CAT824LTDI-GT3	4.63V		.	.	.	TSOT-23-5
CAT824MTDI-GT3	4.38V		.	.	.	
CAT824TTDI-GT3	3.08V		.	.	.	
CAT824STDI-GT3	2.93V		.	.	.	
CAT824RTDI-GT3	2.63V		.	.	.	
CAT824ZTDI-GT3	2.32V		.	.	.	
CAT824YTDI-GT3	2.19V		.	.	.	
CAT824LSDI-GT3	4.63V		.	.	.	SC-70-5
CAT824MSDI-GT3	4.38V		.	.	.	
CAT824TSDI-GT3	3.08V		.	.	.	
CAT824SSDI-GT3	2.93V		.	.	.	
CAT824RSDI-GT3	2.63V		.	.	.	
CAT824ZSDI-GT3	2.32V		.	.	.	
CAT824YSDI-GT3	2.19V		.	.	.	
CAT825LTDI-GT3	4.63V	.		.	.	TSOT-23-5
CAT825MTDI-GT3	4.38V	.		.	.	
CAT825TTDI-GT3	3.08V	.		.	.	
CAT825STDI-GT3	2.93V	.		.	.	
CAT825RTDI-GT3	2.63V	.		.	.	
CAT825ZTDI-GT3	2.32V	.		.	.	
CAT825YTDI-GT3	2.19V	.		.	.	
CAT825LSDI-GT3	4.63V	.		.	.	SC-70-5
CAT825MSDI-GT3	4.38V	.		.	.	
CAT825TSDI-GT3	3.08V	.		.	.	
CAT825SDI-GT3	2.93V	.		.	.	
CAT825RSDI-GT3	2.63V	.		.	.	
CAT825ZSDI-GT3	2.32V	.		.	.	
CAT825YSDI-GT3	2.19V	.		.	.	

## REVISION HISTORY

Date	Rev.	Reason
10-Sep-07	A	Initial Release
23-May-08	B	Update Package Outline Drawings Update Top Mark Information
5-Nov-08	C	Change logo and fine print to ON Semiconductor
01-July-10	D	Update Ordering Information Table

**ON Semiconductor** and  are registered trademarks of Semiconductor Components Industries, LLC (SCILLC). SCILLC reserves the right to make changes without further notice to any products herein. SCILLC makes no warranty, representation or guarantee regarding the suitability of its products for any particular purpose, nor does SCILLC assume any liability arising out of the application or use of any product or circuit, and specifically disclaims any and all liability, including without limitation special, consequential or incidental damages. "Typical" parameters which may be provided in SCILLC data sheets and/or specifications can and do vary in different applications and actual performance may vary over time. All operating parameters, including "Typicals" must be validated for each customer application by customer's technical experts. SCILLC does not convey any license under its patent rights nor the rights of others. SCILLC products are not designed, intended, or authorized for use as components in systems intended for surgical implant into the body, or other applications intended to support or sustain life, or for any other application in which the failure of the SCILLC product could create a situation where personal injury or death may occur. Should Buyer purchase or use SCILLC products for any such unintended or unauthorized application, Buyer shall indemnify and hold SCILLC and its officers, employees, subsidiaries, affiliates, and distributors harmless against all claims, costs, damages, and expenses, and reasonable attorney fees arising out of, directly or indirectly, any claim of personal injury or death associated with such unintended or unauthorized use, even if such claim alleges that SCILLC was negligent regarding the design or manufacture of the part. SCILLC is an Equal Opportunity/Affirmative Action Employer. This literature is subject to all applicable copyright laws and is not for resale in any manner.

---

### PUBLICATION ORDERING INFORMATION LITERATURE FULFILLMENT:

**Literature Distribution Center for ON Semiconductor**  
P.O. Box 5163, Denver, Colorado 80217 USA  
**Phone:** 303-675-2175 or 800-344-3860 Toll Free USA/Canada  
**Fax:** 303-675-2176 or 800-344-3867 Toll Free USA/Canada  
**Email:** [orderlit@onsemi.com](mailto:orderlit@onsemi.com)

**N. American Technical Support:** 800-282-9855 Toll Free  
USA/Canada  
**Europe, Middle East and Africa Technical Support:**  
Phone: 421 33 790 2910  
**Japan Customer Focus Center:**  
Phone: 81-3-5773-3850

**ON Semiconductor Website:** [www.onsemi.com](http://www.onsemi.com)

**Order Literature:** <http://www.onsemi.com/orderlit>

For additional information, please contact your local Sales Representative