



## Bright View Electronics

### FLEX STRIP LIGHT

### BVM-SL3 Series

---

#### ■ Benefits

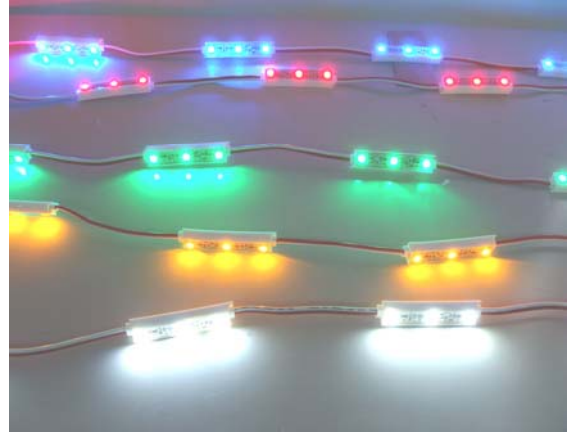
- For any sheet of channel letters
- Easy and fast installation

#### ■ FEATURES

- One unit consists of 10 LED clusters connected with flexible cables
- No. of LEDs :30 pcs of ultra bright SMD LEDs
- Drive: 12VDC
- Product Size (LxWxH) : 1640mm x 14mm x 8.4 mm
- Mounting hole (2mm) allows easy installation with screws
- Daisy chain connection up to 5 units
- Conformal coating protects against condensation water

#### ■ APPLICATIONS

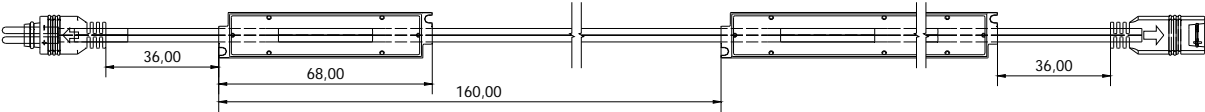
- Illuminated signs
- Channel Letters
- Reverse halo
- Cove lighting
- Canopy lighting





■ **PRODUCT DIMENSIONS**

Unit : mm  
Tolerance : ±0.5mm



■ **PART NUMBERING SYSTEM**





### ■ Maximum and minimum rating

Product	Operating temperature[°C]	Storage temperature[°C]	Voltage Range[V]
BVM-SL3W2S	-20 ... 85	-20 ... 85	11 .. 13
BVM-SL3B2S	-20 ... 85	-20 ... 85	11 .. 13
BVM-SL3R2S	-20 ... 85	-20 ... 85	11 .. 13
BVM-SL3G2S	-20 ... 85	-20 ... 85	11 .. 13
BVM-SL3Y2S	-20 ... 85	-20 ... 85	11 .. 13

### ■ Technical Operating datas

Product	Color	Number of LEDs	Voltage [V DC]	Power [W]	Current [mA]	Radiance Angle[°]	Color Temperature[K] Wavelength(nm)	Lum. Flux [lm]
BVM-SL3W2S	white	30	12	6.96	580	120	6300	420
BVM-SL3B2S	blue	30	12	6.96	580	120	470	88.1
BVM-SL3R2S	red	30	12	6.96	580	120	624	115
BVM-SL3G2S	green	30	12	6.96	580	120	525	275
BVM-SL3Y2S	yellow	30	12	6.96	580	120	589	87.6

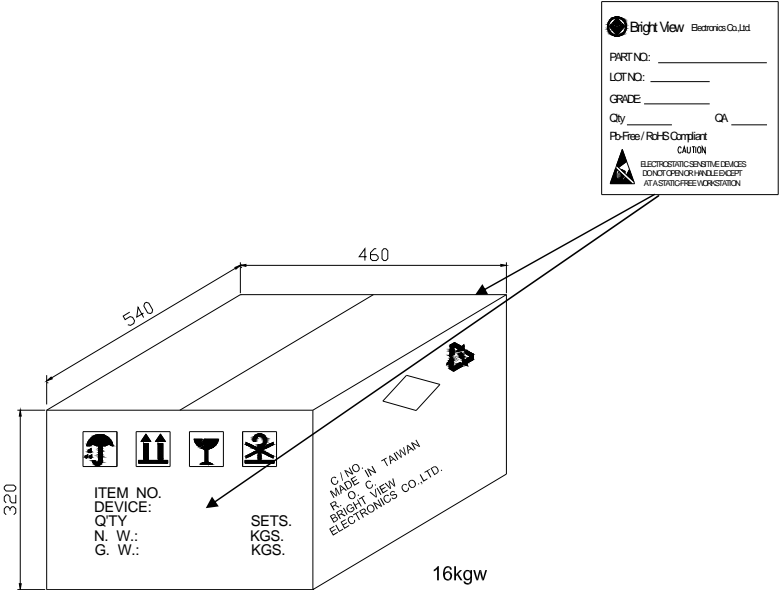


# Bright View Electronics

## FLEX STRIP LIGHT

## BVM-SL3 Series

### PACKING



CARTON  
Dimension(cm): 54x46x32



## Bright View Electronics

### FLEX STRIP LIGHT

### BVM-SL3 Series

---

#### ■ CAUTIONS

##### 1. Over voltage

- A. Drive the product over the specified current/voltage rating per unit or per reel will damage the product.
- B. The product should not be used in reverse polarity.
- C. It is recommended to use a power supply with overload (over-voltage, short circuit and overheat) protection.

##### 2. Storage & Handling

- A. Open the anti-electrostatic bag only a short time before use.
- B. The product should be storage in an environment with the relative humidity less than 90% RH (@30 degree C or less).