

Features

- FM Double-conversion System
- Integrated Second IF Filter with Software-controlled Bandwidth
- Completely Integrated FM Demodulator
- Soft Mute and Multipath Noise Cancellation
- Receiving Condition Analyzer
- AM Up/Down-conversion System
- AM Preamp with AGC and Stereo Capability
- 3-wire Bus Controlled
- Search Stop Signal Generation (AM and FM)
- Automatic Alignment Possible
- Pin Compatible with ATR4255
- World Tuner, US Weatherboard, J-band
- Lead-free Package

Electrostatic sensitive device.
Observe precautions for handling.



**AM/FM
Receiver IC**

ATR4258

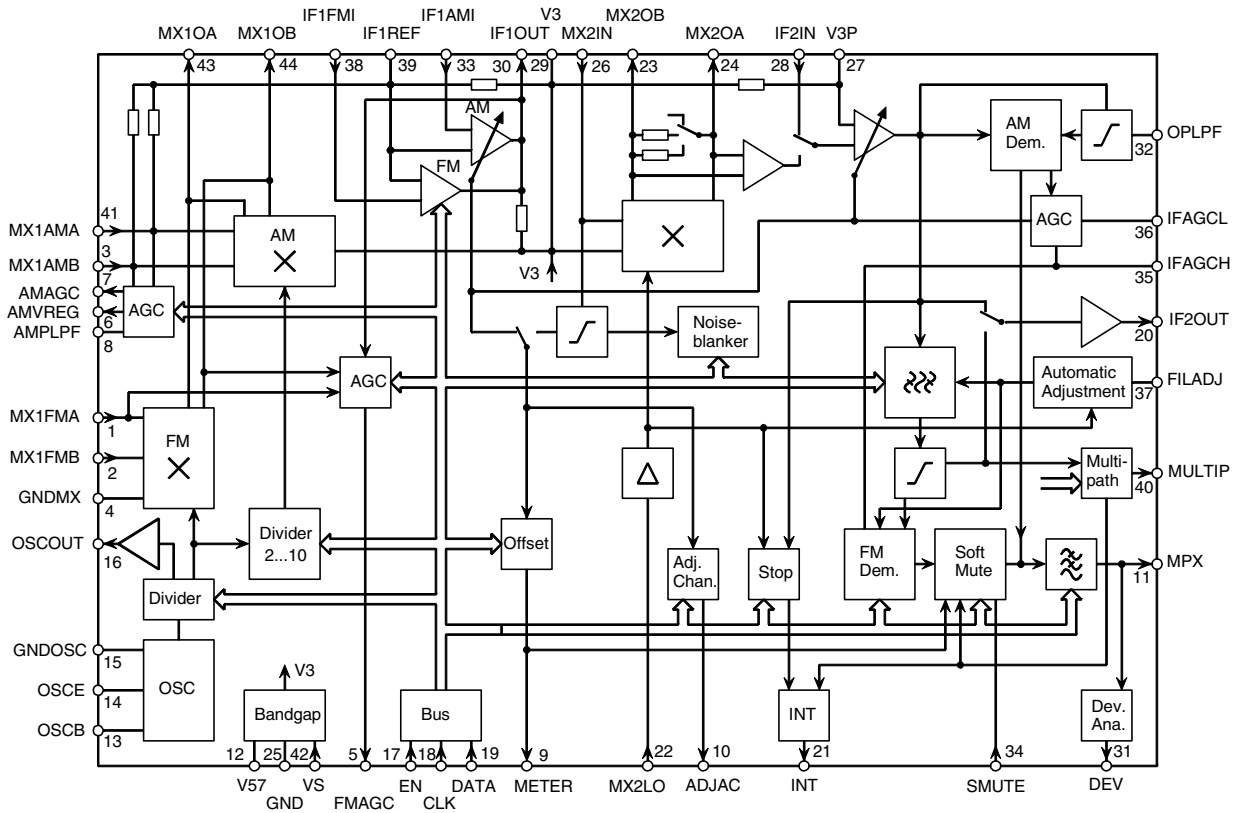
1. Description

The ATR4258 is a highly integrated AM/FM front-end circuit manufactured using Atmel's advanced BICMOS technology. It represents a complete, automatically adjustable AM/FM front end, containing a double-conversion system for FM and an up/down-conversion receiver for AM with $IF1 = 10.7$ MHz and $IF2 = 450$ kHz. The front end is suitable for digital or analog AF-signal processing. Together with the PLL U4256BM, an automatically aligned high-performance AM/FM tuner can be built. These ICs are dedicated for highly sophisticated car radio applications.

Rev. 4838B-AUDR-05/05

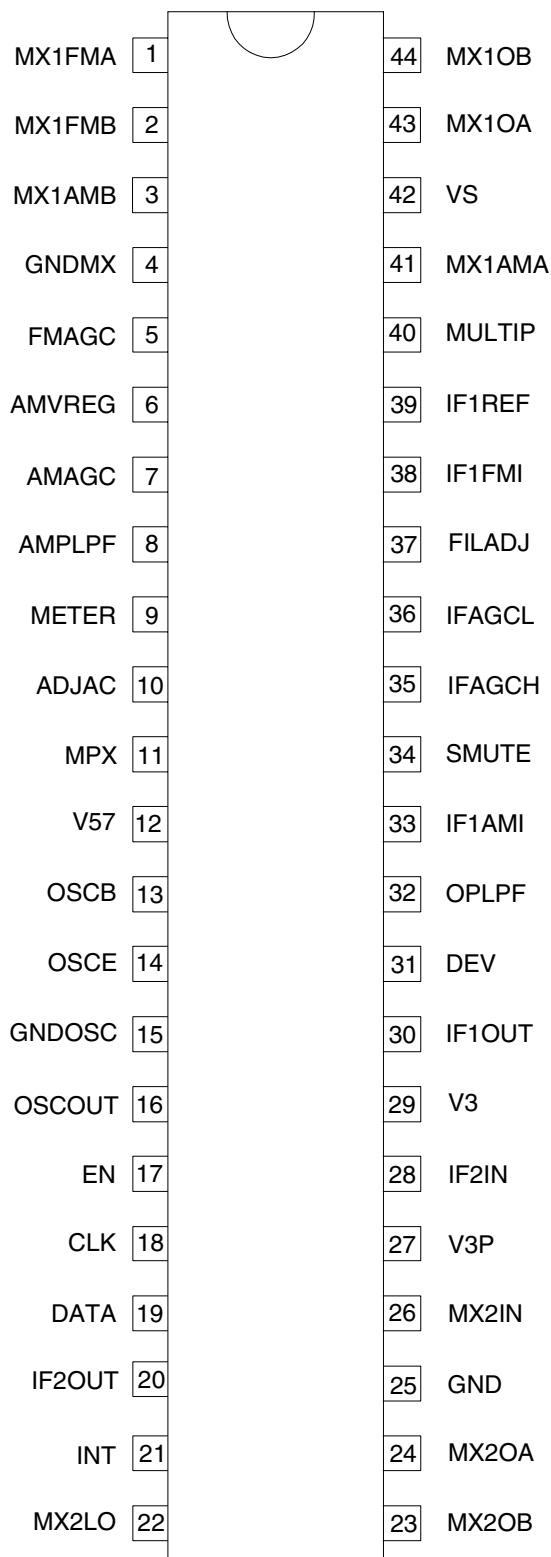


Figure 1-1. Block Diagram



2. Pin Configuration

Figure 2-1. Pinning SSO44



3. Pin Description

Pin	Symbol	Function
1	MX1FMA	1 st mixer FM input A
2	MX1FMB	1 st mixer FM input B
3	MX1AMB	1 st mixer AM input B
4	GNDMX	Ground 1 st mixer, preamplifier AGC
5	FMAGC	FM preamplifier AGC
6	AMVREG	AM control voltage
7	AMAGC	AM preamplifier AGC
8	AMPLPF	AM AGC LP filter
9	METER	Field strength output
10	ADJAC	Adjacent channel detection output
11	MPX	Multiplex signal
12	V57	5.7V reference voltage
13	OSCB	Oscillator basis
14	OSCE	Oscillator emitter
15	GNDOSC	Oscillator ground
16	OSCOU	Oscillator output
17	EN	3-wire bus enable
18	CLK	3-wire bus clock
19	DATA	3-wire bus data
20	IF2OUT	2 nd IF amplifier output
21	INT	Interrupt, stop signal
22	MX2LO	10.25 MHz input for 2 nd mixer
23	MX2OB	2 nd mixer output B
24	MX2OA	2 nd mixer output A
25	GND	Ground
26	MX2IN	2 nd mixer input
27	V3P	3V reference for AMPIN, AMIFAGC, Control, IF2IN
28	IF2IN	2 nd IF amplifier input
29	V3	3V reference for IF1OUT, MX2IN
30	IF1OUT	1 st IF amplifier output
31	DEV	Deviation detect output, test output
32	OPLPF	Operating point LPF
33	IF1AMI	1 st IF AM amplifier input
34	SMUTE	Soft MUTE control input
35	IFAGCH	IF AGC LP filter high time
36	IFAGCL	IF AGC LP filter low time constant
37	FILADJ	Filter adjust
38	IF1FMI	1 st IF FM amplifier input
39	IF1REF	1 st IF & MX1OUT reference, MX1AM A, MX1AM B
40	MULTIP	Multipath detection output
41	MX1AMA	1 st mixer AM input A
42	VS	Supply voltage
43	MX1OA	1 st mixer output A
44	MX1OB	1 st mixer output B

4. Functional Description

The ATR4258 implements an AM up/down-conversion reception path from the RF input signal to the AM-demodulated audio frequency output signal, and for FM/WB reception a double-conversion reception path from the RF input signal to the FM-demodulated multiplex signal (MPX). A VCO and an LO prescaler for AM are integrated to generate the LO frequency for the 1st mixer. Automatic gain control (AGC) circuits are implemented to control the preamplifier and IF stages in the AM and FM reception path.

For improved FM performance, an integrated IF filter with adjustable bandwidth, a softmute feature and an automatic multipath noise cancellation (MNC) circuit are fully integrated. A powerful set of sensors is provided for receiving condition analysis and stop signal generation.

Several register bits (bit 0 to bit 93) are used to control circuit operation and to adapt certain circuit parameters to the specific application. The control bits are organized in two 8-bit and three 24-bit registers that can be programmed by the 3-wire bus protocol. The bus protocol and the bit-to-register mapping is described in the section “[3-wire Bus Description](#)” on page 20. The meaning of the control bits is mentioned in the following sections.

The integrated VCO has a high frequency range. Additionally the VCO has a special VCO divider which allows (in connection with the VCO) the reception of all analog world bands.

4.1 Reception Mode

The IC can be operated in four different modes. Mode AM, FM, WB, and Standby are selected by means of bit 92 and bit 93 according to [Table 4-1 on page 6](#).

Additionally to the operating modes, the signal paths can be set separately. Bit 62 selects the first mixer and AGC, bit 63 selects the 1st amplifier stage. The recommended settings of bit 62 and bit 63 are included in [Table 4-1 on page 6](#).

In AM mode the AM mixer, the AM RF-AGC and the 1st IF AM amplifier at pin 33 are activated. The input of the 2nd IF amplifier is connected to pin 28 and the output of the 2nd IF amplifier is fed to the AM demodulator. The output of the AM demodulator is available at MPX output pin 11.

In FM mode the FM mixer, the FM RF-AGC and the 1st IF FM amplifier at pin 38 are activated. The bandwidth of the output tank at pin 23, pin 24 is increased and the input of the 2nd IF amplifier can be switched between pin 23 and pin 24 and pin 28. The output of the 2nd IF amplifier is fed to the integrated band filter and FM demodulator. The output of the FM demodulator is available at MPX output pin 11.

The WB mode is similar to the FM mode, but to reduce the bandwidth the AM IF amplifier with the AM filter (bit 63 = 1) can be used. In WB mode the range of the integrated filter bandwidth control is shifted to lower bandwidth and the gain of the FM demodulator is increased.

In standby mode the mixers, IF amplifiers and AGC circuits are deactivated to reduce current consumption.

Table 4-1. Operating Mode

AM/FM/Weather Channel	Bit 93	Bit 92	Bit 63	Bit 62
Standby	0	0	X	X
FM	0	1	0	0
AM	1	0	1	1
Weather band	1	1	1	0

4.2 Test Mode

A special test mode is implemented for final production test only. This mode is activated by setting bit 9 = 1. **This mode is not intended to be used in customer applications.** For normal operation, bit 9 has to be set to 0. Bit 22 to bit 30 are deactivated in normal operation mode.

Table 4-2. Test Mode

Mode	Bit 9
Normal operation	0
Test mode	1

4.3 VCO/Local Oscillator Prescaler

An oscillator circuit is implemented to build a VCO as proposed in the application schematic. The VCO frequency is used to generate the LO frequency of the 1st mixer stages. The control voltage of the VCO is usually generated by the PLL circuit U4256BM. The VCO frequency has a range of 70 MHz to 250 MHz to allow the reception of all analog world bands.

A main element of the implemented oscillator circuit is a bipolar NPN transistor. The internally biased base is connected to pin 13 and the emitter to pin 14. An AGC circuit (bit 30) can be activated to increase the emitter current until the appropriate oscillation level is reached. The fundamental emitter current can be changed by bit 52.

Table 4-3. Local Oscillator AGC

Local Oscillator (VCO)	Bit 30
AGC off (default)	0
AGC on	1

Table 4-4. Local Oscillator Gain

Local Oscillator (VCO)	Bit 52
Low Gain	0
High Gain	1

In addition (to the AM prescaler) a special VCO prescaler is implemented for all modes (AM, WB and FM). The divider factor of the prescaler buffer provides the signal of the buffered output (at pin 16) and the prescaler VCO provides the signal of the 1st FM mixer stage and AM prescaler. Examples of VCO prescaler settings are described in section [“Application Information” on page 29](#). The divider factor of the VCO and buffer prescaler can be selected according [Table 4-5 on page 7](#).

Table 4-5. Local Oscillator Prescaler (VCO/Buffer Divider)

Prescaler VCO	Prescaler Buffer	Bit 12	Bit 11	Bit 10
1	1	X	0	0
1.5	3	0	0	1
1.5	1.5	1	0	1
2	2	X	1	0
3	3	X	1	1

Note: The U4256 FMOSCIN (pin 19) input frequency is limited to 160 MHz.

4.4 FM RF-AGC

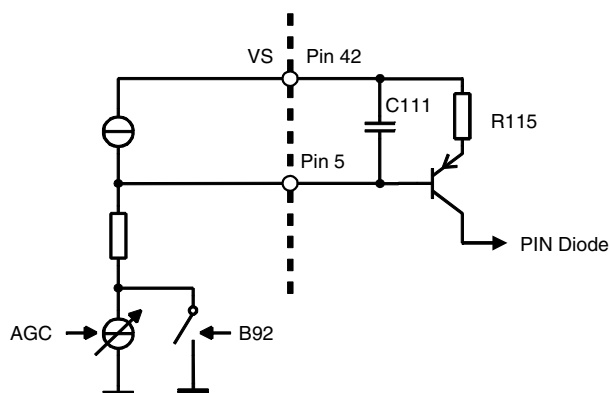
The FM RF-AGC circuit includes a wide-band level detector at the input pin 1 of the FM mixer and an in-band level detector at the output of the FM IF amplifier (pin 30). The outputs of these level detectors are used to control the current into the pin diode (see Figure 4-1) in order to limit the signal level at the FM mixer input and the following stages. The maximum pin diode current is determined by R115 and the time constant of the AGC control loop can be adjusted by changing the value of C111.

The AGC threshold level at the input of the FM mixer can be adjusted by bit 64 and bit 65 according to Table 4-6. The in-band AGC threshold refers to the FM mixer input (pin 1, pin 2) depends on the gain of the FM IF amplifier and can be adjusted by bit 89 to bit 91.

Table 4-6. FM-AGC Threshold

FM-AGC Threshold	Bit 65	Bit 64
100 dB μ V	0	0
97 dB μ V	0	1
94 dB μ V	1	0
91 dB μ V	1	1

Figure 4-1. FM RF-AGC Bit 92



4.5 AM RF-AGC

The AM RF-AGC controls the current into the AM pin diodes (pin 7) and the source drain voltage of the MOSFET in the AM preamplifier stage (pin 6) to limit the level at the AM mixer input (pin 3, pin 41). This threshold level can be set by bit 64 and bit 65. If the level at the AM mixer input exceeds the selected threshold, the current into the AM pin diodes is increased. If this step is not sufficient, the source drain voltage of the MOSFET is decreased. The time constant of the AGC control loop can be adjusted by changing the value of the capacitor at pin 8.

Table 4-7. AM-AGC Threshold

AM-AGC Threshold	Bit 65	Bit 64
91 dB μ V	0	0
94 dB μ V	0	1
97 dB μ V	1	0
100 dB μ V	1	1

4.6 FM 1st Mixer

In the 1st FM mixer stage, the FM reception frequency is down converted to the 1st IF frequency. The VCO frequency is used as LO frequency for the mixer.

4.7 AM 1st Mixer

The AM 1st mixer is used for up-conversion of the AM reception frequency to the 1st IF frequency. Therefore, an AM prescaler is implemented to generate the necessary LO frequency from the VCO frequency. The divide factor of the AM prescaler can be selected according to [Table 4-8](#). (The AM prescaler is only active in AM mode).

Table 4-8. Divide Factor of the AM Prescaler

Divider (AM Prescaler)	Bit 93	Bit 92	Bit 84	Bit 83	Bit 82	Bit 81
Divide by 2	1	0	0	0	0	0
Divide by 3	1	0	0	0	0	1
Divide by 4	1	0	0	0	1	0
Divide by 5	1	0	0	0	1	1
Divide by 6	1	0	0	1	0	0
Divide by 7	1	0	0	1	0	1
Divide by 8	1	0	0	1	1	0
Divide by 9	1	0	0	1	1	1
Divide by 10	1	0	1	X	X	X

4.8 FM 1st IF Amplifier

A programmable gain amplifier is used in FM (and WB) mode between pin 38 and pin 30 to compensate the loss in the external ceramic band filters. The gain of this amplifier is adjusted by bit 89 to bit 91. The input and the output resistance is 330Ω and fits to external ceramic filters.

Two different temperature coefficients of the FM IF amplifier can be selected by bit 66.

Table 4-9. Gain of the FM IF Amplifier

Gain FM IF	Bit 91	Bit 90	Bit 89
19 dB	0	0	0
21 dB	0	0	1
23 dB	0	1	0
25 dB	0	1	1
27 dB	1	0	0
28 dB	1	0	1
29 dB	1	1	0
30 dB	1	1	1

Table 4-10. Temperature Coefficient Setting of FM IF Amplifier

Temperature Coefficient (TC) of the IF Amplifier	Bit 66
TK _{min} (TK 1)	0
TK _{max} (TK 2)	1

4.9 AM 1st IF Amplifier

In AM and WB mode, the gain of the 1st IF amplifier is controlled by the IF-AGC to extend the control range of the IF-AGC.

4.10 2nd Mixer

The 2nd mixer is used in AM, FM and WB mode. The mixer input has 330Ω input resistance and can be connected directly to an external ceramic filter.

In FM mode, the high output resistance of the second mixer is reduced to increase the bandwidth of the tank at the mixer output. The output resistance can be selected by bit 60 and bit 61.

In AM and WB mode bit 61 and bit 62 should be set to 0.

Table 4-11. 2nd Mixer Output Resistance in FM Mode

Bit 61	Bit 60	Output Resistance (Bit 54 = 0)	Output Resistance (Bit 54 = 1)
0	0	3.3 kΩ	~100 kΩ
0	1	0.63 kΩ	0.78 kΩ
1	0	0.47 kΩ	0.55 kΩ
1	1	0.29 kΩ	0.32 kΩ

The LO frequency of the 2nd mixer (10.25 MHz) has to be applied at pin 22. This signal is usually generated by the PLL circuit U4256BM.

Table 4-12. FM Bandwidth Mixer 2

Bit 61	Bit 60	FM Bandwidth Mixer 2
0	0	150 kHz
0	1	200 kHz
1	0	250 kHz
1	1	450 kHz

Note: The bandwidth is also dependant on the values of the application circuit.

4.11 2nd IF Amplifier

In AM and WB mode, the input of the second IF amplifier is pin 28, is externally connected to the 2nd mixer tank through the AM ceramic filter to achieve channel selectivity. During normal FM operation (bit 54 = 0), the input of the second IF amplifier is connected to the 2nd mixer output (pin 23, pin 24) and the integrated FM band filter is used for channel selectivity only. It is possible to use an additional external filter between the 2nd mixer tank and pin 28 in FM mode by setting bit 54 to 1.

Table 4-13. 2nd IF Filter in FM Mode

2nd IF Filter	Bit 54
Internal filter	0
External and internal filter	1

4.12 IF-AGC

The IF-AGC controls the level of the 2nd IF signal that is passed to the AM demodulator input or the integrated FM band filter and to the 2nd IF output, pin 20.

Two different time constants of the IF-AGC can be selected by the capacitors at pin 35 (IFAGCH) and pin 36 (IFAGCL). The short time constant (IFAGCL) is used in FM/WB mode and in AM search mode. The long time constant (IFAGCH) is used for AM reception.

Table 4-14. IF-AGC Time Constant

Mode	Bit 92	Bit 88	IF AGC Time Constant
FM/WB	1	X	IFAGCL (fast)
AM reception	0	0	IFAGCH (slow)
AM search	0	1	IFAGCL (fast)

In FM/WB mode, the output signal of the FM demodulator is applied to pin 35 via a series resistor of about 95 k Ω . This low-pass filtered output signal of the FM demodulator is used for the FM demodulator fine adjustment, for muting and as a reference for the deviation sensor.

4.13 2nd IF Output

The 2nd IF after the gain-controlled 2nd IF amplifier is available at pin 20 (bit 55 = 0). In AM mode, this signal may be used for an external AM stereo decoder. Alternatively, a signal corresponding to the logarithmic field strength after the integrated FM band filter, which is used for multipath detection, can be switched to pin 20 by setting bit 55 = 1.

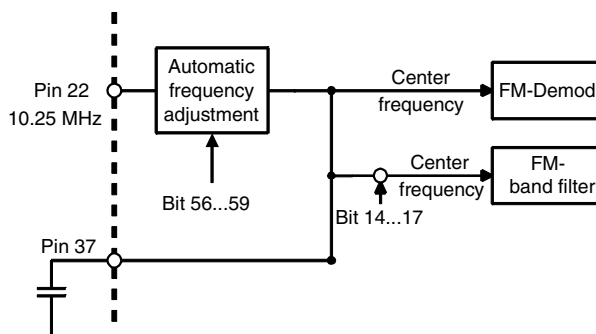
Table 4-15. Pin 20 Output Setting

Pin 20	Bit 55
2 nd IF output	0
Multipath field strength	1

4.14 Automatic IF Center Frequency Adjustment

Integrated active filters are used in the FM band filter, FM demodulator and adjacent channel sensor. The center frequency of these filters is automatically adjusted to the second IF frequency of 450 kHz. The frequency of 10.25 MHz at pin 22 is used as a reference for this alignment.

Figure 4-2. Automatic IF Center Frequency Adjustment



For fine tuning, the center frequency of all these integrated active filters (band filter and demodulator) can be shifted in steps of 6.25 kHz by means of bit 56 to bit 59. Additionally, the center frequency of the band filter can be adjusted separately by means of bit 14 to bit 17.

Table 4-16. 2nd IF Center Frequency

IF Center	Bit 59	Bit 58	Bit 57	Bit 56
450.00 kHz	0	0	0	0
456.25 kHz	0	0	0	1
462.50 kHz	0	0	1	0
468.75 kHz	0	0	1	1
475.00 kHz	0	1	0	0
481.25 kHz	0	1	0	1
487.50 kHz	0	1	1	0
493.75 kHz	0	1	1	1
450.00 kHz	1	0	0	0
443.75 kHz	1	0	0	1
437.50 kHz	1	0	1	0
431.25 kHz	1	0	1	1
425.00 kHz	1	1	0	0
418.75 kHz	1	1	0	1
412.50 kHz	1	1	1	0
406.25 kHz	1	1	1	1

Table 4-17. FM Band Filter Center Frequency Correction

IF Correction	Bit 17	Bit 16	Bit 15	Bit 14
-0 kHz	0	0	0	0
-6.25 kHz	0	0	0	1
-12.50 kHz	0	0	1	0
-18.75 kHz	0	0	1	1
-25.00 kHz	0	1	0	0
-31.25 kHz	0	1	0	1
-37.50 kHz	0	1	1	0
-43.75 kHz	0	1	1	1
+0 kHz (default)	1	0	0	0
+6.25 kHz	1	0	0	1
+12.50 kHz	1	0	1	0
+18.75 kHz	1	0	1	1
+25.00 kHz	1	1	0	0
+31.25 kHz	1	1	0	1
+37.50 kHz	1	1	1	0
+43.75 kHz	1	1	1	1

4.15 Integrated FM Band Filter

For FM reception a band filter with variable bandwidth is integrated in front of the demodulator to provide channel selectivity on the 2nd IF. The bandwidth of this filter can be adjusted by bit 0 to 3 (see Table 4-18) to be suitable for the present receiving condition. In WB mode, the bandwidth of the integrated filter is shifted to lower bandwidth values, while the necessary channel selectivity is achieved by an external ceramic filter.

The center frequency of the integrated FM band filter can be adjusted by means of bit 14 to 17. The field strength after the integrated FM band filter that is available at pin 20 (bit 55 = 1) can be used for this purpose.

Table 4-18. Bandwidth of the Integrated Band Filter

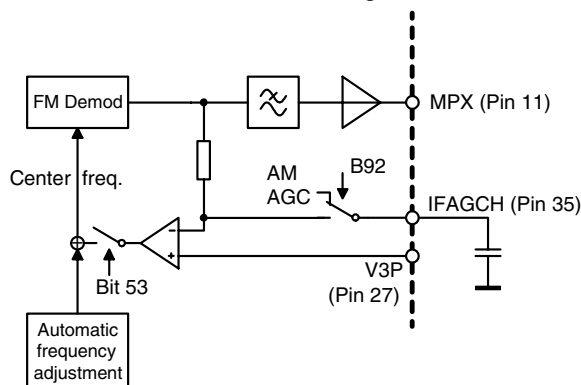
IF Bandwidth FM (kHz)	IF Bandwidth WB (kHz)	Bit 3	Bit 2	Bit 1	Bit 0
220	195	0	0	0	0
...
200	160	0	0	1	1
...
165	120	0	1	1	0
...
130	80	1	0	0	1
...
90	45	1	1	0	0
80	Not usable	1	1	0	1
70	Not usable	1	1	1	0
60	Not usable	1	1	1	1

4.16 FM Demodulator

For weather band reception, the gain of the FM demodulator is increased and can be adjusted by means of bit 71 and bit 72 in order to increase the output voltage to compensate the low frequency deviation in weather band.

An integrated demodulator fine adjustment allows automatic fine tuning of the demodulator center frequency to the average frequency of the received signal. This feature is implemented for use in weather band mode and can be activated by setting bit 53 to 0.

Figure 4-3. FM Demodulator Automatic Fine Tuning



The center frequency of the FM demodulator can be adjusted by means of bit 56 to 59. At the center frequency, the DC voltage at the MPX output pin 11 is equal to the MPX offset voltage that can be measured at pin 11 while MPX mute is active (bit 7 = 1). This adjustment will affect the center frequency of all integrated filters as mentioned before.

Table 4-19. Demodulator Gain in Weather Band Mode

Demodulator Gain in Weather Band Mode Relative to FM Mode	Bit 72	Bit 71
14 dB	0	0
17 dB	0	1
21 dB	1	0
23 dB	1	1

Table 4-20. Demodulator Fine Adjustment

Demodulator Fine Adjustment	Bit 53
Fine tuning ON	0
Fine tuning OFF	1

4.17 Soft Mute

The soft mute functionality is implemented to reduce the output level of the FM demodulator at low input signal levels to limit the noise at the MPX output in this case. If the input level falls below an adjustable threshold continuously, the output of the FM demodulator is continuously muted with decreasing input level until a maximum mute value is reached. The threshold for the start of soft mute and the maximum mute can be adjusted. The signal level for 3 dB mute can be set by means of bit 68 to bit 70 and the maximum value for soft mute can be selected by bit 67. The steepness and the time constant of the soft mute can be adjusted by the resistor and capacitor between pin 34 and pin 29.

The field strength signal available at pin 9 is used for soft mute. Therefore, the soft mute threshold that referred to the input of the FM mixer depends on the gain from the FM mixer input to the field strength sensor and on the setting of field strength offset (bit 15 to bit 21).

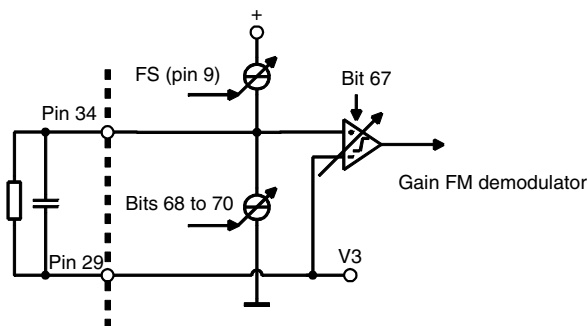
Table 4-21. Soft Mute Threshold

Relative Soft Mute Threshold	Bit 70	Bit 69	Bit 68
Soft mute OFF	0	0	0
-18 dB	0	0	1
-15 dB	0	1	0
-12 dB	0	1	1
-9 dB	1	0	0
-6 dB	1	0	1
-3 dB	1	1	0
0 dB	1	1	1

Table 4-22. Maximum Soft Mute

Maximum Value of Soft Mute	Bit 67
30 dB	0
26 dB	1

Figure 4-4. Soft Mute



4.18 MPX Output

The output of the AM demodulator (AM mode) or the output of the FM demodulator (FM/WB mode) are available at the MPX output (pin 11).

The MPX output signal can be muted by setting bit 7 to 1.

The bandwidth of the low-pass filter at the MPX output can be set by means of bit 79 to 90 kHz or 180 kHz.

Table 4-23. MPX Output Mute

MPX Output	Bit 7
MPX out, pin 11 normal operation	0
Mute ON	1

Table 4-24. MPX Output Bandwidth

Bandwidth MPX Low-pass Filter	Bit 79
90 kHz	0
180 kHz	1

4.19 Receiving Condition Analyzer

The ATR4258 implements several sensors that provide information about the receiving condition of the selected station.

4.20 Field Strength Sensor

The field strength sensor provides a DC voltage at pin 9 which represents the logarithmic field strength of the signal in the reception band.

The field strength information can be retrieved either from a level detector at the input of the 2nd mixer (pin 26) or from the IF-AGC depending on the setting of bit 80. The bandwidth of the field strength detection in the AGC is smaller than by using the level detector because of additional selectivity between the 2nd mixer and the 2nd IF amplifier particularly in AM and WB, but the field strength detection in the AGC is limited to the IF AGC range. Usually the field strength from the level detector is used in FM/WB mode and the AGC field strength is used in AM mode.

The field strength output at pin 9 can be adjusted by the bits 18 to 21 in 0.5 dB steps. This offset also has an influence on the soft mute levels.

Table 4-25. Field Strength Offset

Offset Field Strength	Bit 21	Bit 20	Bit 19	Bit 18
0.0 dB	0	0	0	0
0.5 dB	0	0	0	1
1.0 dB	0	0	1	0
...
7.5 dB	1	1	1	1

4.21 Field Strength Selection

Bit 80 and bit 13 allows the switches between narrow-band field strength and wide-band field strength information.

Table 4-26. Field Strength (Combined)

Field Strength (Pin 9) Narrow-band/Wide-band	Bit 80	Bit 13
FM field strength (wide band)	0	0
Multipath field strength and FM field strength (wide band)	0	1
AM AGC field strength (narrow band)	1	0
Multipath field strength and AM AGC field strength (narrow band)	1	1

4.22 Search Stop Detector

A search stop detector is available in AM and FM/WB mode. A STOP condition is signaled (with a low level at pin 21) if the frequency of the IF signal is within a window around the center frequency of 450 kHz. The width of this search stop window can be set by bit 85 to bit 87 in the range of 0.5 kHz to 80 kHz. The frequency of the IF signal is measured by counting the number of periods of the IF signal during a measurement time which is determined by bit 73 to bit 78. The inverted STOP signal is available at pin 21 according to [Table 4-29 on page 17](#). The frequency of 10.25 MHz at pin 22 is used as a time reference.

Table 4-27. Search Stop Detector Measurement Time

Time Window for Stop Signal	Bit 78	Bit 77	Bit 76	Bit 75	Bit 74	Bit 73
1 × 3.1969 ms	0	0	0	0	0	1
.....						
63 × 3.1969 ms	1	1	1	1	1	1

Table 4-28. Search Stop Window

Search Stop Window	Bit 87	Bit 86	Bit 85
±0.5 kHz	0	0	0
±1.1 kHz	0	0	1
±2.3 kHz	0	1	0
±4.8 kHz	0	1	1
±10 kHz	1	0	0
±20 kHz	1	0	1
±40 kHz	1	1	0
±80 kHz	1	1	1

Table 4-29. Signals Available at Digital Output Pin 21

Bit 88	Bit 92	INT (Pin 21)
0	0 (AM)	1
0	1 (FM/WB)	NOT MPINT
1	0 (AM)	NOT STOP
1	1 (FM/WB)	NOT (STOP AND NOT MPINT)

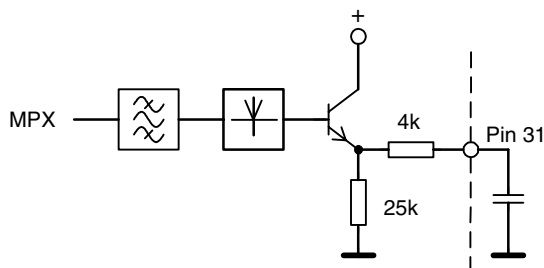
Note: MPINT = Multipath interrupt, Stop and MPINT signal are active low

Pin 35 (IFAGCH) is carried along with pin 36 (IFAGCL) to avoid crackles during a change of the search stop mode to the AM reception mode.

4.23 Deviation Sensor

The deviation sensor is active in AM and FM/WB mode and measures the modulation of the signal. It is implemented as a peak detector of the low-pass-filtered MPX signal (see Figure 4-5). The output voltage at pin 31 is proportional to the frequency deviation in FM/WB or the modulation depth in AM respectively.

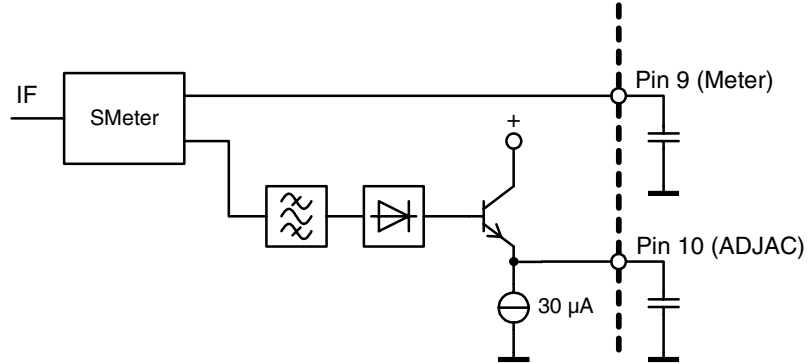
Figure 4-5. Deviation Sensor



4.24 Adjacent Channel Sensor

The adjacent channel sensor is active in FM mode only and measures the field strength outside the reception band.

Figure 4-6. Adjacent Channel Sensor



4.25 MPINT and ADJAC Reset

Bit 6 allows a resets of the multipath sensor and the adjacent channel sensor by connecting pin 10 and pin 40 internally to ground and so the external capacitors can be discharged very quickly.

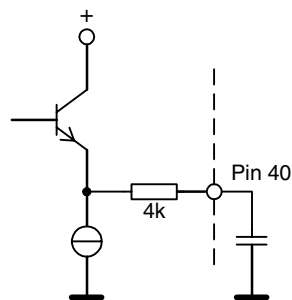
Table 4-30. Multipath and Adjacent Channel Reset

MPINT and Adjacent Channel (Pin 10 and Pin 40)	Bit 6
Normal mode	0
Connection to ground	1

4.26 Multipath Sensor

The multipath sensor is active in FM mode only and measures the disturbance due to multipath reception. The multipath sensor detects drops in the field strength after the integrated band filter by calculating the difference between an averaged maximum field strength and the current field strength. The maximum depth of these drops is represented by the voltage of the peak detector at pin 40 (MULTIP). The level of this voltage represents the degree of disturbance in the received signal.

Figure 4-7. Multipath Sensor



A Multipath Noise Canceller (MNC) is implemented to reduce disturbance of the received signal in multipath reception conditions. If the difference between the momentary and the averaged field strength falls below a threshold adjustable by bit 81 to 84 (see [Table 4-32](#)), the MPX signal may be muted and this situation (MPINT) can be signalized at pin 21 (INT) according to [Table 4-29 on page 17](#). Muting of the MPX signal during multipath disturbances can be activated by setting bit 8.

Table 4-31. Multipath Noise Canceller

Multipath Noise Canceller	Bit 8
Active	0
Not active	1

Table 4-32. Sensitivity of the MNC

Sensitivity MNC (Threshold)	Bit 84	Bit 83	Bit 82	Bit 81
Off	0	0	0	0
Low	0	0	0	1
...
(-33 dB)	0	0	1	1
...
Normal (-14 dB)	0	1	1	1
...
High (-9 dB)	1	1	1	1

Note: Valid in FM or WB mode (bit 92 = 1)

The Multipath interrupt can also be switched on/off by bit 4.

Table 4-33. Multipath Interrupt (MPINT)

MPINT (Pin 21)	Bit 4
Off	0
On (MPINT active)	1

4.27 AM Noise Blanker

The AM Noise Blanker of the ATR4258 can be activated by bit 5. The noise peak is detected in the field strength of the first IF and if the disturbance exceeds the level defined by the bits 85 to 87, the signal is muted at the second IF.

Table 4-34. AM Noise Blanker Activation

AM Noise Blanker	Bit 5
Off	0
On	1

Table 4-35. Sensitivity of AM Noise Blanker

AM Noise Blanker Sensitivity	Bit 87	Bit 86	Bit 85
Low	0	0	0
....
Normal	0	1	1
...
High	1	1	1

4.28 3-wire Bus Description

The register settings of the ATR4258 are programmed by a 3-wire bus protocol. The bus protocol consists of separate commands. A defined number of bits are transmitted sequentially during each command.

One command is used to program all bits of one register. The different registers available (see [Table 4-36 on page 22](#)) are addressed by the length of the command (number of transmitted bits) and by three address bits that are unique for each register of a given length. 8-bit registers are programmed by 8-bit commands and 24-bit registers are programmed by 24-bit commands.

Each bus command starts with a rising edge on the enable line (EN) and ends with a falling edge on EN. EN has to be kept HIGH during the bus command.

The sequence of transmitted bits during one command starts with the LSB of the first byte and ends with the MSB of the last byte of the register addressed. The DATA is evaluated at the rising edges of CLK. The number of LOW to HIGH transitions on CLK during the HIGH period of EN is used to determine the length of the command.

The bus protocol and the register addressing of the ATR4258 are compatible to the addressing used in the U4256BM. That means both the ATR4258 and U4256BM can be operated on the same 3-wire bus as shown in the application circuit ([Figure 10-9 on page 36](#)).

Figure 4-8. Pulse Diagram

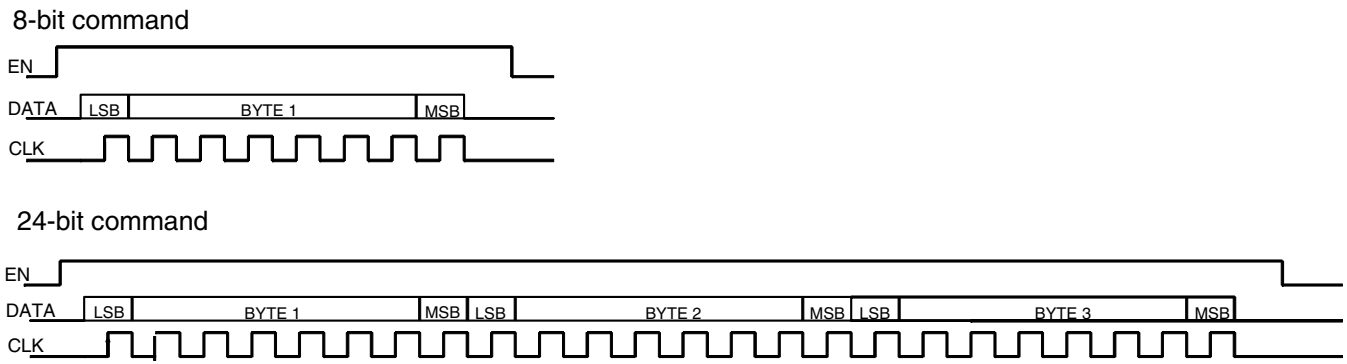
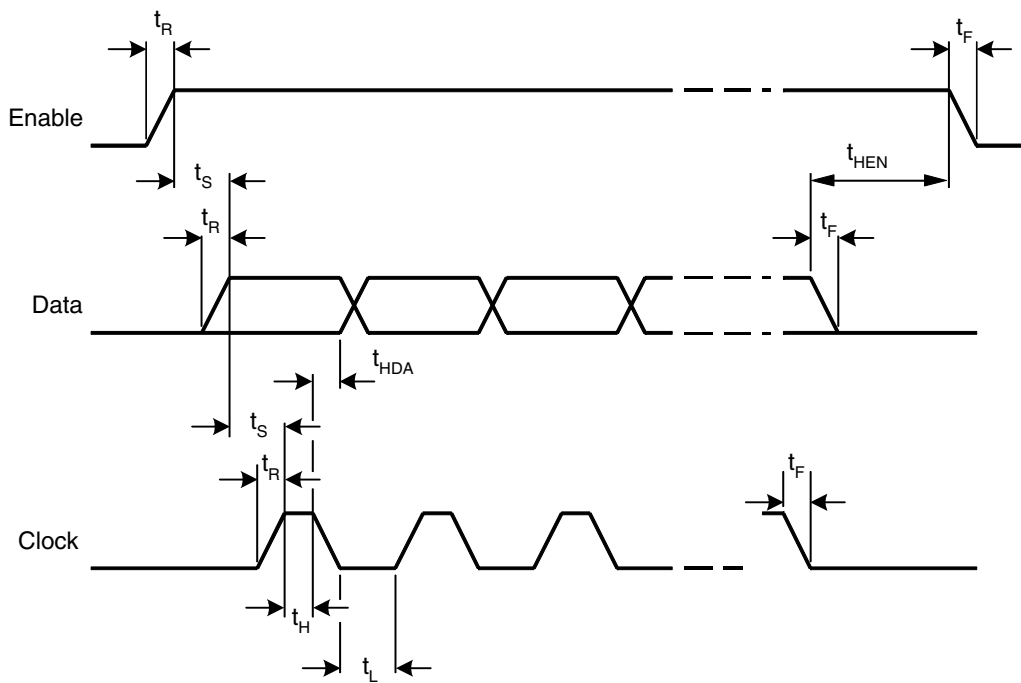


Figure 4-9. Bus Timing



5. Absolute Maximum Ratings

Stresses beyond those listed under “Absolute Maximum Ratings” may cause permanent damage to the device. This is a stress rating only and functional operation of the device at these or any other conditions beyond those indicated in the operational sections of this specification is not implied. Exposure to absolute maximum rating conditions for extended periods may affect device reliability.

All voltages are referred to GND (pin 25)

Parameters	Symbol	Value	Unit
Supply voltage, pin 42	V_S	10	V
Power dissipation	P_{tot}	1000	mW
Junction temperature	T_j	150	°C
Ambient temperature range	T_{amb}	-40 to +85	°C
Storage temperature range	T_{stg}	-50 to +150	°C

6. Thermal Resistance

Parameters	Symbol	Value	Unit
Junction ambient, soldered to PCB	R_{thJA}	60	K/W

7. Operating Range

All voltages are referred to GND (pin 25)

Parameters	Symbol	Min.	Typ.	Max.	Unit
Supply voltage range, pin 42	V_S	8.0	8.5	10	V
Ambient temperature	T_{amb}	-40		+85	°C

8. Electrical Characteristics

Test conditions (unless otherwise specified): $V_S = 8.5V$, $T_{amb} = 25^\circ C$

No.	Parameters	Test Conditions	Pin	Symbol	Min.	Typ.	Max.	Unit	Type*
1	Power Supply								
1.1	Supply voltage		42	V_S	8.0	8.5	10	V	C
1.2	Supply current	Standby mode (bit 92 = 0, bit 93 = 0)	42	I_{Stby}		35	45	mA	A
1.3	Supply current	Other operation modes	42	I_S		50	65	mA	A
2	VCO (Bit 52 = 0, Bit 30 = 1)								
2.1	Frequency range			f_{VCO}	70		260	MHz	D
2.2	DC bias voltage		13		3.4	3.7	4.0	V	A
2.3	Buffer output voltage	$f_{osc} = 120$ MHz	16			250		mVrms	C
2.4	Buffer output resistance		16			70		Ω	D
2.5	Buffer output DC voltage		16		3.8	4.1	4.4	V	A
3	FM RF-AGC								
3.1	Saturation voltage	No input signal	5		8.3			V	A
3.2	Saturation voltage	No input signal	5		$V_S - 0.2$			V	B
3.3	Threshold level	In-band signal	30			115		dB μ V	C

*) Type means: A = 100% tested, B = 100% correlation tested, C = Characterized on samples, D = Design parameter

8. Electrical Characteristics (Continued)

Test conditions (unless otherwise specified): $V_S = 8.5V$, $T_{amb} = 25^\circ C$

No.	Parameters	Test Conditions	Pin	Symbol	Min.	Typ.	Max.	Unit	Type*
3.4	Maximum threshold level	Out-of-band signal (110 MHz), bit 64, 65 = 0	1		100	103	106	dB μ V	B
4	AM RF-AGC, AM Mode (Bit 92 = 0, Bit 93 = 1)								
4.1	Saturation voltage	No input signal	7		8.3			V	C
4.2	Saturation voltage	No input signal	7		$V_S - 0.2$			V	C
4.3	Output voltage for minimum gain	Bit 92 = 1	7		6.5	6.8	7.1	V	C
4.4	Output voltage for minimum gain	Bit 92 = 1	7			$V_S - 1.7$		V	C
4.5	Maximum control voltage	No signal	6		6.5	7.0	7.5	V	A
4.6	Maximum control voltage	No signal	6			$V_S - 1.5$		V	B
4.7	Minimum control voltage	AGC active	6			0.2	0.8	V	A
4.8	Maximum threshold level	Bits 64, 65 = 1	41		97	99	102	dB μ V	A
5	AM Mixer, AM Mode (Bit 92 = 0, Bit 93 = 1)								
5.1	Supply current	Sum of current in pins 43, 44	43, 44		14	16	20	mA	A
5.2	Conversion conductance		3, 41, 43, 44			4.1		mS	D
5.3	3 rd -order input intercept point	Pin 3 AC-grounded	41	$IP3_{AMmix}$		132		dB μ V	C
5.4	Noise figure (SSB)	Generator resistance 2.5 k Ω (pin 41)	43, 44	NF_{AMmix}		12		dB	C
5.5	Input bias DC voltage		3, 41		2.45	2.8	3.1	V	A
5.6	Input resistance	Single-ended, pin 39 AC-grounded	3, 41			13		k Ω	D
5.7	Input capacitance		3, 41				3	pF	D
5.8	Maximum output voltage	Differential	43, 44		12			V _{pp}	D
5.9	Output resistance		43, 44		100			k Ω	D
6	FM Mixer (FM Mode (Bit 92 = 1, Bit 93 = 0)								
6.1	Supply current	Sum of current in pins 43, 44	43, 44		12	15	20	mA	A
6.2	Conversion conductance		1, 2, 43, 44			7		mS	D
6.3	3 rd -order intercept point		1, 2	$IP3_{FMmix}$		125		dB μ V	C
6.4	Noise figure (DSB)	Generator resistance 200 Ω	43, 44	NF_{FMmix}		10		dB	C
6.5	Input resistance		1, 2			1.6		k Ω	D
6.6	Input capacitance	Pin 2 AC-grounded	1			5		pF	D

*) Type means: A = 100% tested, B = 100% correlation tested, C = Characterized on samples, D = Design parameter

8. Electrical Characteristics (Continued)

Test conditions (unless otherwise specified): $V_S = 8.5V$, $T_{amb} = 25^\circ C$

No.	Parameters	Test Conditions	Pin	Symbol	Min.	Typ.	Max.	Unit	Type*
6.7	Maximum differential output voltage	$V_S = 8.5V$	43, 44		12			V _{pp}	D
6.8	Output resistance		43, 44		100			k Ω	D
7	1st IF FM Amplifier, FM Mode (Bit 92 = 1, Bit 93 = 0)								
7.1	Minimum voltage gain	Bits 89, 90, 91 = 0	38, 30		19	21	23	dB	B
7.2	Temperature coefficient of gain	Bit 66 = 0		TK_{min}		0.039		dB/K	D
7.3	Temperature coefficient of gain	Bit 66 = 1		TK_{max}		0.044		dB/K	D
7.4	Input resistance	Pin 39 AC-grounded	38		270	330	400	Ω	D
7.5	Input capacitance	Pin 39 AC-grounded	38			5		pF	D
7.6	Output resistance		30		270	330	400	Ω	D
8	1st IF AM Amplifier, AM Mode (Bit 92 = 0, Bit 93 = 1)								
8.1	Maximum voltage gain	330 Ω load at pin 30	30, 33			16		dB	D
8.2	Gain control range					26		dB	D
8.3	Noise figure	Generator resistance 2.5 k Ω		NF_{IFAM}		17		dB	D
8.4	Input resistance		33		10			k Ω	D
8.5	Input capacitance	Pin 39 AC-grounded	33			1		pF	D
8.6	Output resistance		30		270	330	400	Ω	D
9	2nd Mixer								
9.1	FM supply current	Bit 92 = 1, Bit 93 = 0	23, 24		10	12	16	mA	A
9.2	AM/WB supply current	Bit 92 = 0, Bit 93 = 1	23, 24		7	8	10	mA	A
9.3	Conversion conductance		26, 23, 24			2		mS	D
9.4	Noise figure (SSB)	Generator resistance 330 Ω (pin 26)	23, 24	NF_{Mix2}		23		dB	C
9.5	3 rd -order input intercept point		26	$IP3_{Mix2}$		132		dB μ V	C
9.6	AM/WB output resistance	Bit 92 = 0, Bit 93 = 1	23, 24		100			k Ω	D
9.7	Maximum differential output voltage AM/WB	$V_S = 8.5V$	23, 24		12			V _{pp}	D
9.8	Maximum differential output voltage FM		23, 24		1			V _{pp}	D
9.9	Input resistance		26		270	330	400	Ω	D
9.10	LO input voltage		22		80		500	mV _{pp}	D
9.11	LO input resistance		22			1		k Ω	D
9.12	LO input bias voltage		22		2.8	3.0	3.2	V	A

*) Type means: A =100% tested, B = 100% correlation tested, C = Characterized on samples, D = Design parameter

8. Electrical Characteristics (Continued)

Test conditions (unless otherwise specified): $V_S = 8.5V$, $T_{amb} = 25^\circ C$

No.	Parameters	Test Conditions	Pin	Symbol	Min.	Typ.	Max.	Unit	Type*
10	2nd IF Amplifier (Bit 55 = 0)								
10.1	Input resistance	Pin 27 AC-grounded	28			3		k Ω	D
10.2	Voltage gain	AM/WB mode (Bit 93 = 1) Pin 28 1 mVrms	28, 20		42	45	48	dB	A
10.3	Gain control range	AM/WB mode (Bit 93 = 1)				47		dB	D
10.4	DC output voltage		20		3.4	3.7	4.0	V	A
10.5	AC output voltage	Unmodulated signal, 82 dB μ V at pin 1 (IF AGC active) Bit 93 = 1	20		150	180	230	mVrms	A
10.6	Output impedance	Small signal	20			70		Ω	D
11	FM Demodulator Integrated Band-filter, FM Mode (Bit 92 = 1, Bit 93 = 0), BW Setting 2nd IF Filter = 120 kHz								
11.1	AC output voltage	Deviation = ± 75 kHz, $f_{mod} = 1$ kHz	11		420	480	540	mVrms	B
11.2	Stereo roll-off	Deviation = ± 75 kHz, $f_{mod} = 38$ kHz (reference: 1 kHz)	11			-2.0		dB	D
11.3	Total harmonic distortion	Deviation = ± 75 kHz, $f_{mod} = 1$ kHz	11	THD_{FM}		0.4	0.7	%	A
11.4	Maximum signal-to-noise ratio	Dev. = ± 22.5 kHz, $f_{mod} = 1$ kHz, 50 μ s de- emphase, signal input at 450 kHz	11	$(S/N)_{FM}$		65		dB	C
12	Soft Mute, FM Mode (Bit 92 = 1, Bit 93 = 0, Bit 80 = 0)								
12.1	Mute gain	Bit 67 = 0, V (pin 34) = 2V	11		-28	-26	-24	dB	A
12.2	Mute gain	Bit 67 = 1, V (pin 34) = 2V	11		-24	-22	-20	dB	A
13	AM Demodulator, AM Mode (Bit 92 = 0, Bit 93 = 1)								
13.1	AC output voltage	Modulation depth = 30%, $f_{mod} = 1$ kHz	11		135	150	170	mVrms	A
13.2	Total harmonic distortion	Modulation depth = 80%, $f_{mod} = 1$ kHz V(pin 35) = const.	11	THD_{AM}		0.6	2	%	A
13.3	Maximum signal-to-noise ratio	Modulation depth = 30%, $f_{mod} = 1$ kHz 74 dB μ V at pin 41	11	$(S/N)_{AM}$		54		dB	C
14	MPX Output								
14.1	DC output voltage	Bit 7 = 1	11		2.1	2.3	2.5	V	A
14.2	Mute gain	Bit 7 = 1, FM dev. = ± 75 kHz, $f_{mod} = 1$ kHz	11			-65	-50	dB	A
14.3	Output resistance	Small signal	11			60		Ω	D

*) Type means: A = 100% tested, B = 100% correlation tested, C = Characterized on samples, D = Design parameter

8. Electrical Characteristics (Continued)

 Test conditions (unless otherwise specified): $V_S = 8.5V$, $T_{amb} = 25^\circ C$

No.	Parameters	Test Conditions	Pin	Symbol	Min.	Typ.	Max.	Unit	Type*
15	Search Stop Detector, INT Output								
15.1	LOW saturation voltage		21			0	0.5	V	A
15.2	LOW output resistance		21			0.3		k Ω	D
15.3	HIGH saturation voltage		21		4.5	4.8	5.25	V	A
15.4	HIGH output resistance		21			1		k Ω	D
16	Deviation Sensor, FM Mode (Bit 92 = 1, Bit 93 = 0)								
16.1	Offset voltage	FM dev. = ± 0 kHz FM demodulator adjusted	31			0.2		V	C
16.2	Output voltage	FM dev. = ± 75 kHz, $f_{mod} = 1$ kHz	31		1.7	2.0	2.5	V	C
17	Field Strength Sensor, FM Mode (Bit 92 = 1, Bit 93 = 0, Bit 89 to 91 = 0, Bit 80 = 0, Bit 18 to 21 = 0)								
17.1	Output voltage	60 dB μ V at pin 33	9		0.8	1.3	1.8	V	A
17.2	Output voltage	Unmodulated signal 100 dB μ V at pin 33	9		2.8	3.4	3.9	V	A
	Field Strength Sensor, AM Mode (Bit 92 = 0, Bit 93 = 1, Bit 80 = 1, Bit 18 to 21 = 0)								
17.3	Output voltage LOW field strength	60 dB μ V at pin 28	9		1.5	1.8	2.1	V	A
17.4	Output voltage HIGH field strength	94 dB μ V at pin 28	9		3.0	3.3	3.6	V	A
18	Multipath Sensor, FM Mode (Bit 92 = 1, Bit 93 = 0)								
18.1	Offset voltage	Unmodulated signal, 60 dB μ V at pin 1	40			0	200	mV	A
18.2	Output voltage	AM modulation depth = 60%, $f_{mod} = 20$ kHz, 60 dB μ V at pin 1	40		1.5	1.9	2.4	V	A
19	Adjacent Channel Sensor, FM Mode (Bit 92 = 1, Bit 93 = 0), Bit 4 = 0 (Default BW Setting)								
19.1	Offset voltage	Unmodulated signal	10			200		mV	C
19.2	Output voltage	AM mod. 10% $f_{mod} = 100$ kHz	10			0.3	0.6	V	A
19.3		AM mod. 60% $f_{mod} = 100$ kHz				1.2	1.9		
20	3-wire Bus								
20.1	Input voltage LOW		17, 18, 19				0.8	V	D
20.2	Input voltage HIGH		17, 18, 19		2.7			V	D
20.3	Leakage current	V = 0V, 5V	17, 18, 19				10	μ A	D
20.4	Clock frequency		18				1.0	MHz	D
20.5	Period of CLK HIGH LOW			t_H t_L	250 250			ns ns	D

*) Type means: A = 100% tested, B = 100% correlation tested, C = Characterized on samples, D = Design parameter

8. Electrical Characteristics (Continued)

Test conditions (unless otherwise specified): $V_S = 8.5V$, $T_{amb} = 25^\circ C$

No.	Parameters	Test Conditions	Pin	Symbol	Min.	Typ.	Max.	Unit	Type*
20.6	Rise time EN, DATA, CLK			t_r			400	ns	D
20.7	Fall time EN, DATA, CLK			t_f			100	ns	D
20.8	Set-up time			t_s	100			ns	D
20.9	Hold time EN			t_{HEN}^*	250			ns	D
20.10	Hold time DATA			t_{HDA}^*	0			ns	D
21	Internally Generated Reference Voltages								
21.1	Output voltage		12		5.5	5.7	6.0	V	A
21.2	Output voltage		29			3.0		V	D
21.3	Output voltage		27			3.0		V	D
21.4	Output voltage		39			3.0		V	D

*) Type means: A =100% tested, B = 100% correlation tested, C = Characterized on samples, D = Design parameter

9. Application Information

9.1 AM Prescaler (Divider) Settings

The AM mixer is used for up conversion of the AM reception frequency to the IF frequency. Therefore an AM prescaler is implemented to generate the necessary LO from the VCO frequency. For the reception of the AM band different prescaler (divider) settings are possible.

Table 9-1 gives an example for the AM prescaler (divider) settings and the reception frequencies.

e.g.,

$$f_{VCO} = 98.2 \text{ MHz} \dots 124 \text{ MHz}$$

$$f_{IF} = 10.7 \text{ MHz}$$

$$f_{rec} = \left(\frac{f_{VCO}}{\text{AM Prescaler}} \right) - f_{IF}$$

Table 9-1. AM Prescaler (Divider) Settings and Reception Frequencies

Divider (AM Prescaler)	Minimum Reception Frequency [MHz]	Maximum Reception Frequency [MHz]
divide by 2	38.4	51.3
divide by 3	20.033	30.633
divide by 4	13.85	20.3
divide by 5	8.94	14.1
divide by 6	5.667	9.967
divide by 7	3.329	7.014
divide by 8	1.575	4.8
divide by 9	0.211	3.078
divide by 10	0	1.7

Note: Prescaler VCO Divider = 1 in this example.

9.2 Local Oscillator and AM Prescaler Settings

Table 9-2 gives an example for the VCO prescaler divider and AM prescaler divider settings and the reception frequencies.

e.g.,

$$f_{VCO} = 195.9 \text{ MHz} \dots 237.9 \text{ MHz}$$

$$f_{IF} = +10.7 \text{ MHz or } -10.7 \text{ MHz}$$

$$f_{VCO} = (f_{rec} + f_{IF}) \times \text{VCO Prescaler} \times \text{AM Prescaler}$$

Table 9-2. VCO and AM Prescaler (Divider) Settings and Reception Frequencies

Band	Prescaler VCO	IF [MHz]	Minimum Reception Frequency [MHz]	Maximum Reception Frequency [MHz]	Minimum VCO Frequency	Maximum VCO Frequency	AM Prescaler
FM	2	+10.7	87.5	108	196.4	237.4	–
WB	1.5	–10.7	162.4	162.55	227.55	227.775	–
JPN	3	–10.7	76	90	195.9	237.9	–
LW/MW	2	+10.7	0.15	1.605	195.3	221.49	9
16m	1	+10.7	17.5	17.9	225.6	228.8	8
120m	2	+10.7	2.3	2.5	208	211.2	8

9.3 U4256 N- and R-divider Calculation

9.3.1 AM Mode

$$N = \frac{f_{VCO}}{\text{VCO-divider} \times \text{AM Prescaler} \times f_{step}}$$

$$f_{rec} = \left(\frac{f_{VCO}}{\text{VCO-divider} \times \text{AM Prescaler}} \right) - f_{IF}$$

9.3.2 FM/WB Mode

$$N = \frac{f_{VCO}}{\text{VCO-divider} \times f_{step}}$$

$$f_{rec} = \left(\frac{f_{VCO}}{\text{VCO-divider}} \right) - f_{IF}$$

9.3.3 All Modes

$$R = \frac{f_{ref}}{f_{step}}$$

f_{ref} = reference oscillator frequency (e.g. 10.25 MHz)

f_{VCO} = VCO frequency

f_{rec} = reception frequency

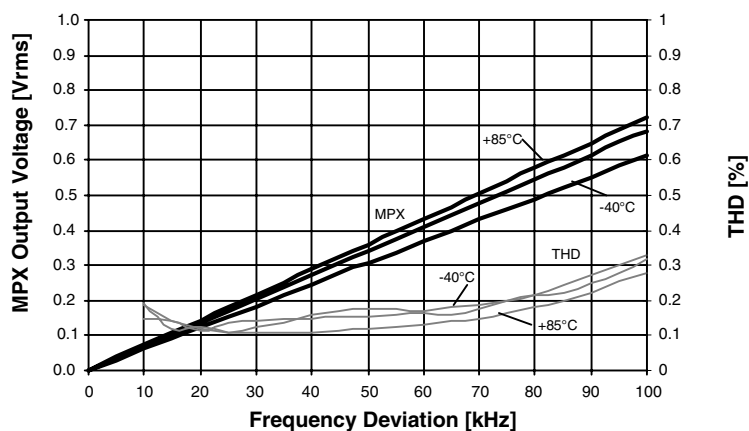
f_{step} = step frequency (of the PLL)

10. Diagrams

The following data was measured with the application board (see Figure 10-9).

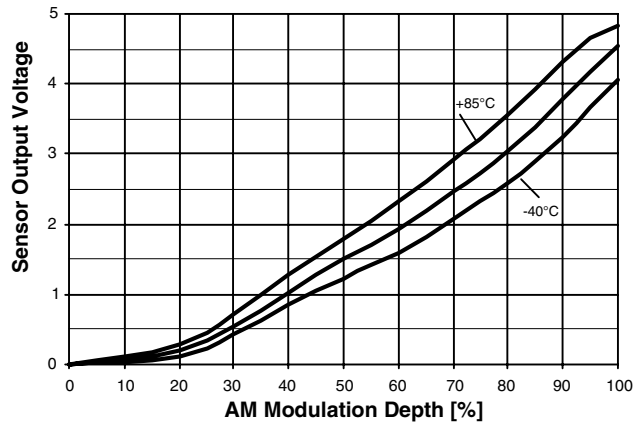
In the measurement setup, a 50Ω generator is terminated by 50Ω and connected to the antenna input by a 50Ω series resistor to achieve 75Ω termination at the antenna input. The generator level specified is the output voltage of this 50Ω generator at 50Ω load. If the application board is replaced by a 75Ω resistor, the voltage at this resistor is 6 dB below the specified voltage level of the 50Ω generator.

Figure 10-1. FM Demodulator



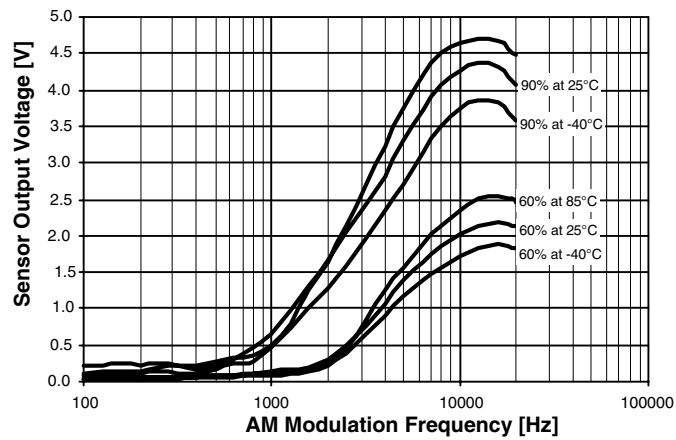
Note: Integrated band-filter BW setting: 120 kHz (bits 0 to 2 = 0, bit 3 = 1);
1 kHz modulation frequency; 50 μs de-emphasis (THD)

Figure 10-2. Multipath Sensor



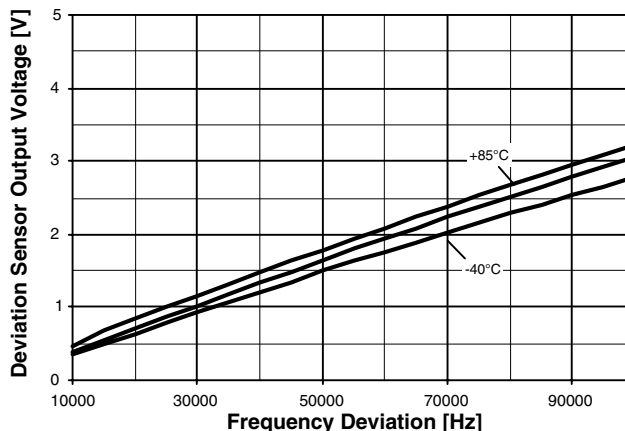
Note: AM modulation frequency 20 kHz; generator level 40 dB μ V

Figure 10-3. Multipath Sensor Frequency Response



Note: Generator level 40 dB μ V

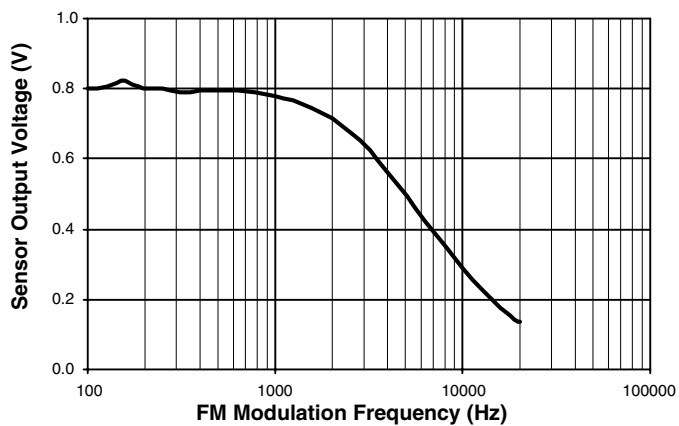
Figure 10-4. Deviation Sensor



Note: FM modulation frequency: 1 kHz; BW setting 2nd IF filter = 120 kHz; demodulator fine tuning (bit 53 = 0)

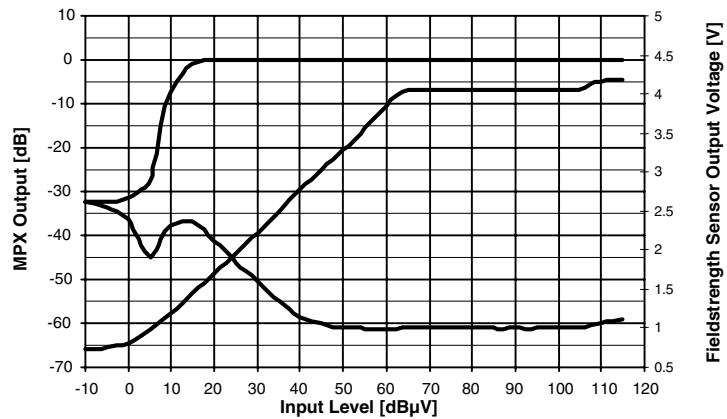
The center frequency of the integrated band filter has to be adjusted (e.g., IF center frequency = 462.50 kHz).

Figure 10-5. Deviation Sensor Frequency Response



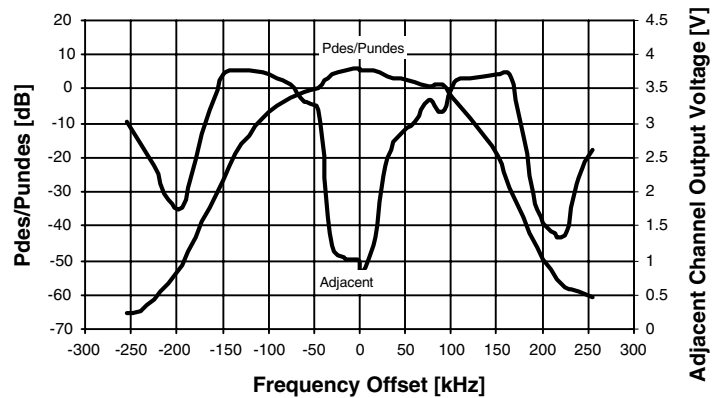
Note: FM frequency deviation: 22.5 kHz

Figure 10-6. FM Input Level Sweep



Note: Soft mute threshold bits 68, 69 = 0, bit 70 = 1; soft mute gain bit 67 = 0
gain FM IF amplifier bit 89 to 91 = 1

Figure 10-7. Selectivity



Note: Integrated bandfilter BW setting: 120 kHz
Desired signal level adjusted to 40 dB S/N without undesired signal
Undesired signal level adjusted to 26 dB S/N

Figure 10-8. Test Circuit

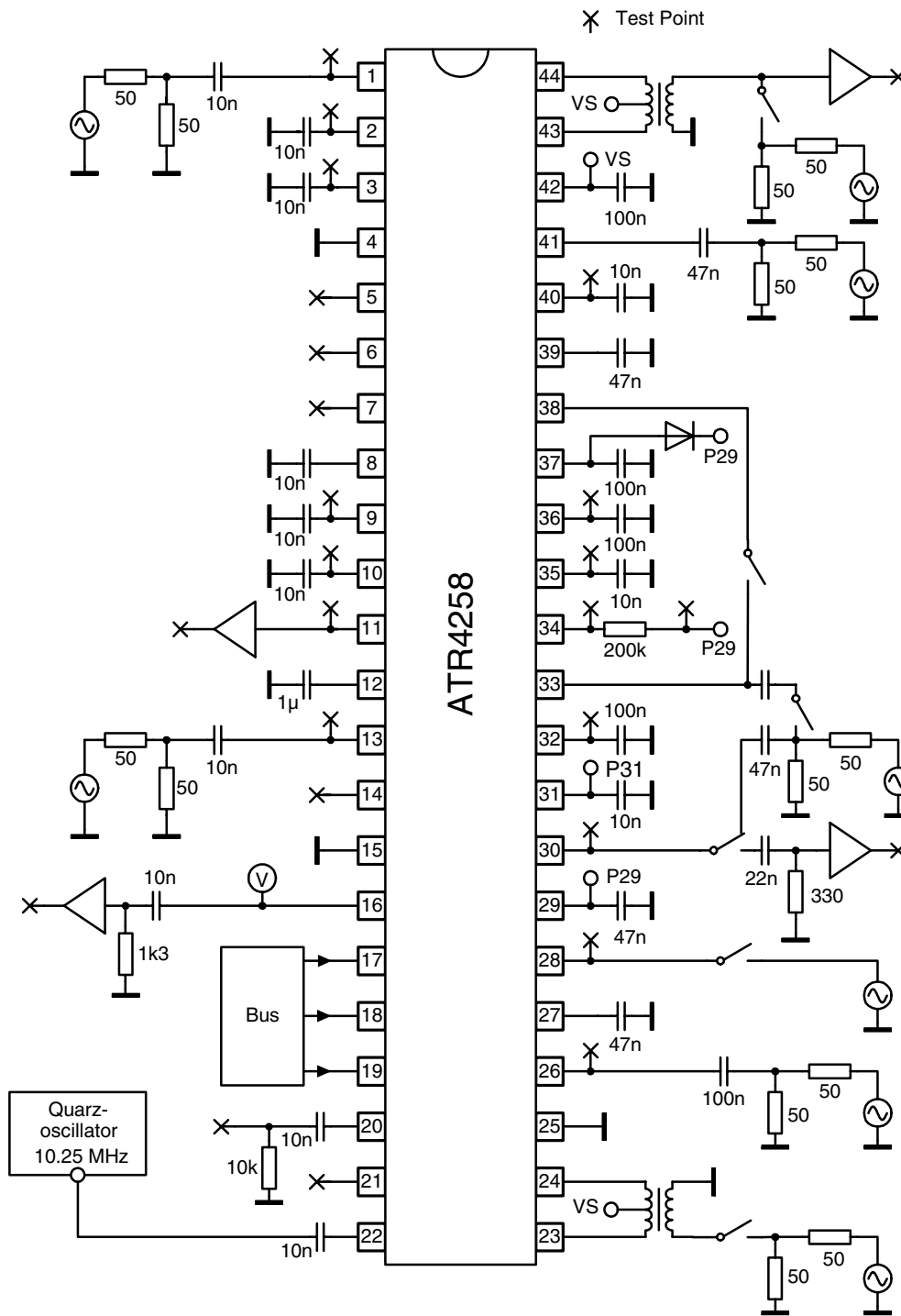
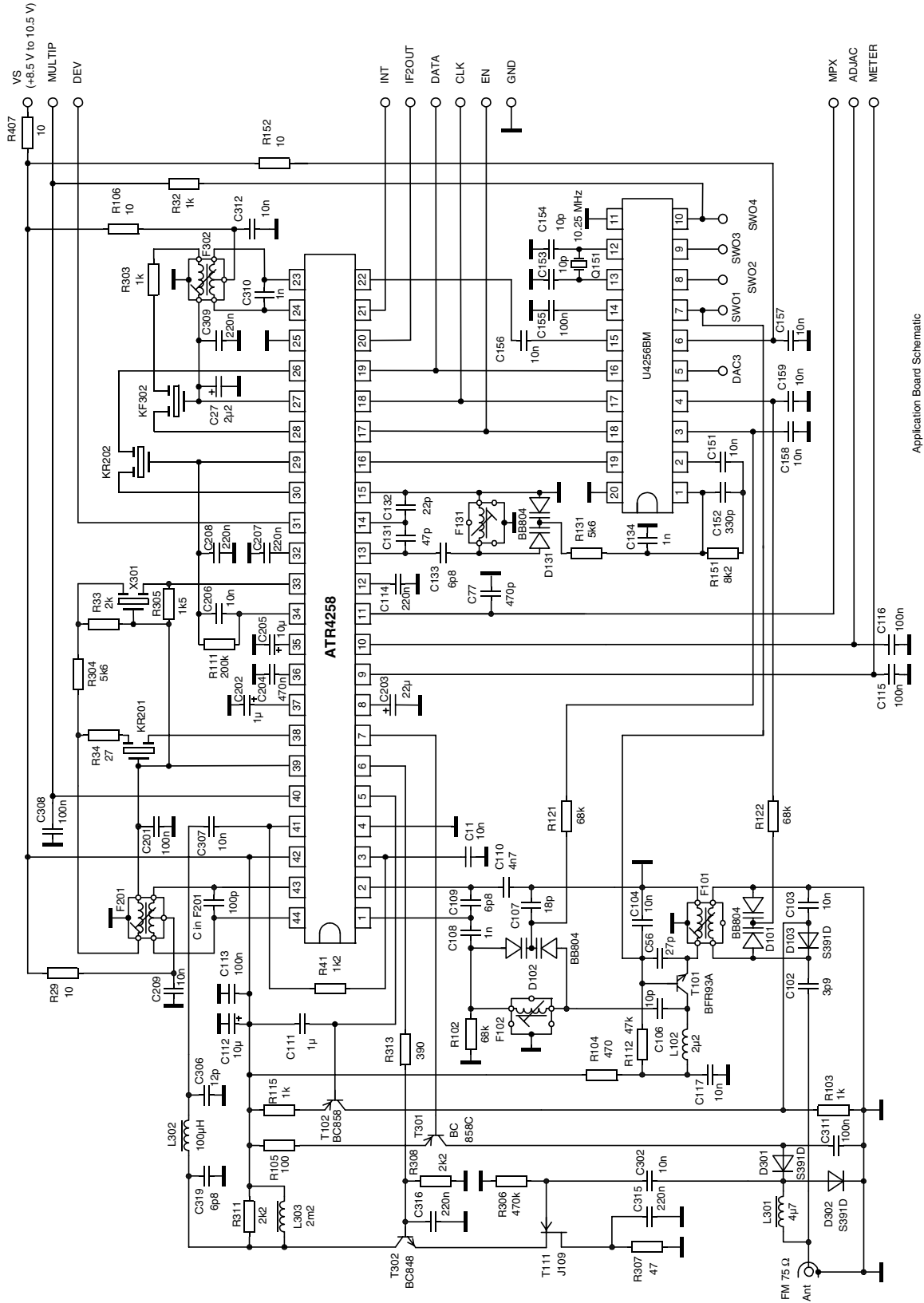


Figure 10-9. Application Circuit



Application Board Schematic

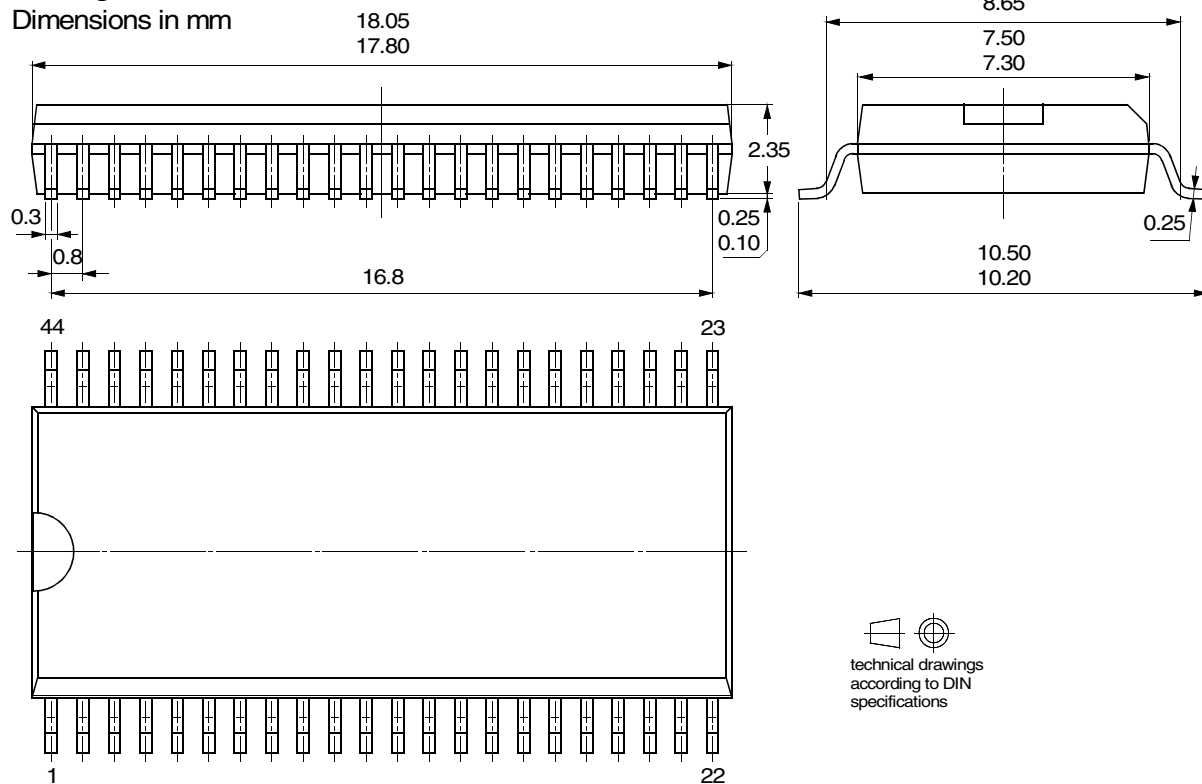
11. Ordering Information

Extended Type Number	Package	Remarks
ATR4258-ILSH	SSO44	Tube, lead-free
ATR4258-ILQH	SSO44	Taped and reeled, lead-free

12. Package Information

Package SSO44

Dimensions in mm





Atmel Corporation

2325 Orchard Parkway
San Jose, CA 95131, USA
Tel: 1(408) 441-0311
Fax: 1(408) 487-2600

Regional Headquarters

Europe

Atmel Sarl
Route des Arsenaux 41
Case Postale 80
CH-1705 Fribourg
Switzerland
Tel: (41) 26-426-5555
Fax: (41) 26-426-5500

Asia

Room 1219
Chinachem Golden Plaza
77 Mody Road Tsimshatsui
East Kowloon
Hong Kong
Tel: (852) 2721-9778
Fax: (852) 2722-1369

Japan

9F, Tonetsu Shinkawa Bldg.
1-24-8 Shinkawa
Chuo-ku, Tokyo 104-0033
Japan
Tel: (81) 3-3523-3551
Fax: (81) 3-3523-7581

Atmel Operations

Memory

2325 Orchard Parkway
San Jose, CA 95131, USA
Tel: 1(408) 441-0311
Fax: 1(408) 436-4314

Microcontrollers

2325 Orchard Parkway
San Jose, CA 95131, USA
Tel: 1(408) 441-0311
Fax: 1(408) 436-4314

La Chantrerie
BP 70602
44306 Nantes Cedex 3, France
Tel: (33) 2-40-18-18-18
Fax: (33) 2-40-18-19-60

ASIC/ASSP/Smart Cards

Zone Industrielle
13106 Rousset Cedex, France
Tel: (33) 4-42-53-60-00
Fax: (33) 4-42-53-60-01

1150 East Cheyenne Mtn. Blvd.
Colorado Springs, CO 80906, USA
Tel: 1(719) 576-3300
Fax: 1(719) 540-1759

Scottish Enterprise Technology Park
Maxwell Building
East Kilbride G75 0QR, Scotland
Tel: (44) 1355-803-000
Fax: (44) 1355-242-743

RF/Automotive

Theresienstrasse 2
Postfach 3535
74025 Heilbronn, Germany
Tel: (49) 71-31-67-0
Fax: (49) 71-31-67-2340

1150 East Cheyenne Mtn. Blvd.
Colorado Springs, CO 80906, USA
Tel: 1(719) 576-3300
Fax: 1(719) 540-1759

Biometrics/Imaging/Hi-Rel MPU/ High Speed Converters/RF Datacom

Avenue de Rochepleine
BP 123
38521 Saint-Egreve Cedex, France
Tel: (33) 4-76-58-30-00
Fax: (33) 4-76-58-34-80

Literature Requests

www.atmel.com/literature

Disclaimer: The information in this document is provided in connection with Atmel products. No license, express or implied, by estoppel or otherwise, to any intellectual property right is granted by this document or in connection with the sale of Atmel products. **EXCEPT AS SET FORTH IN ATMEL'S TERMS AND CONDITIONS OF SALE LOCATED ON ATMEL'S WEB SITE, ATMEL ASSUMES NO LIABILITY WHATSOEVER AND DISCLAIMS ANY EXPRESS, IMPLIED OR STATUTORY WARRANTY RELATING TO ITS PRODUCTS INCLUDING, BUT NOT LIMITED TO, THE IMPLIED WARRANTY OF MERCHANTABILITY, FITNESS FOR A PARTICULAR PURPOSE, OR NON-INFRINGEMENT. IN NO EVENT SHALL ATMEL BE LIABLE FOR ANY DIRECT, INDIRECT, CONSEQUENTIAL, PUNITIVE, SPECIAL OR INCIDENTAL DAMAGES (INCLUDING, WITHOUT LIMITATION, DAMAGES FOR LOSS OF PROFITS, BUSINESS INTERRUPTION, OR LOSS OF INFORMATION) ARISING OUT OF THE USE OR INABILITY TO USE THIS DOCUMENT, EVEN IF ATMEL HAS BEEN ADVISED OF THE POSSIBILITY OF SUCH DAMAGES.** Atmel makes no representations or warranties with respect to the accuracy or completeness of the contents of this document and reserves the right to make changes to specifications and product descriptions at any time without notice. Atmel does not make any commitment to update the information contained herein. Atmel's products are not intended, authorized, or warranted for use as components in applications intended to support or sustain life.

© Atmel Corporation 2005. All rights reserved. Atmel®, logo and combinations thereof, Everywhere You Are® and others, are registered trademarks or trademarks of Atmel Corporation or its subsidiaries. Other terms and product names may be trademarks of others.



Printed on recycled paper.

4838B-AUDR-05/05