

*Add Modification Code 131 for Dry Lubricant on inside surfaces of Coupling Nut.
 May not be suitable for space applications.

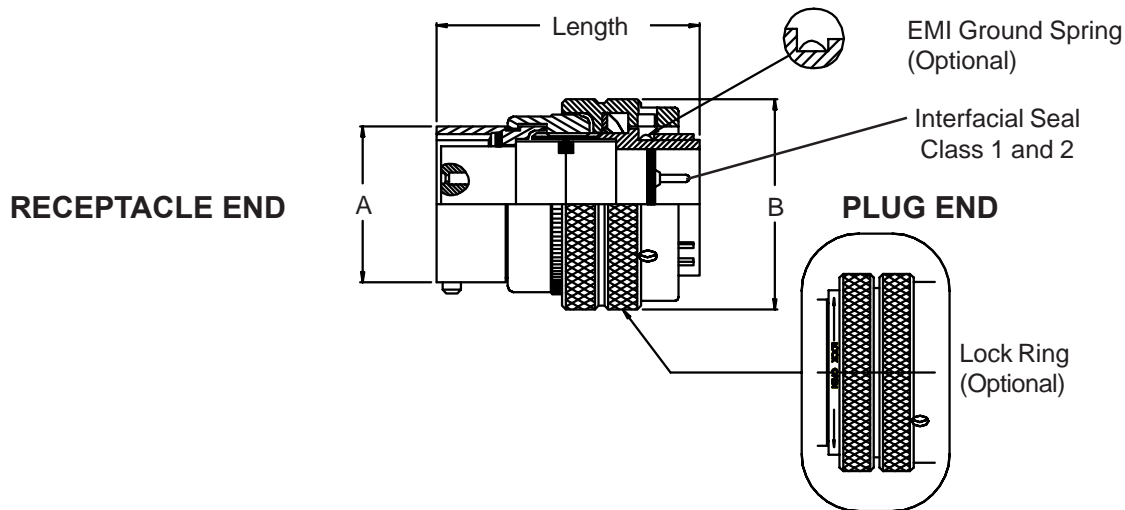
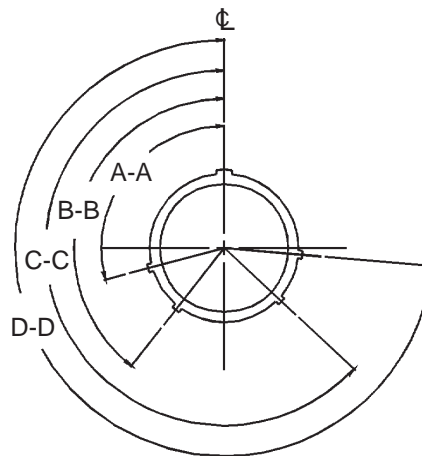


TABLE I			
Shell Size	A Max	B Max	Length Max
08	.474 (12.0)	.750 (19.1)	1.040 (26.4)
10	.591 (15.0)	.859 (21.8)	1.040 (26.4)
12	.751 (19.1)	1.031 (26.2)	1.040 (26.4)
14	.875 (22.2)	1.156 (29.4)	1.040 (26.4)
16	1.001 (25.4)	1.281 (32.5)	1.040 (26.4)
18	1.126 (28.6)	1.391 (35.3)	1.040 (26.4)
20	1.251 (31.8)	1.531 (38.9)	1.260 (32.0)
22	1.376 (35.0)	1.656 (42.1)	1.260 (32.0)
24	1.501 (38.1)	1.777 (45.1)	1.260 (32.0)

Metric Dimensions (mm) are indicated in parentheses.

Insert Arrangements				
Shell Size Desig	Insert Arrangement Dash No.	Contact Size: Quantity		
		20	16	12
08	-33	3	2	
	-02			
10	-06	6		
	-07	7	3	
12	-03			
	-10	10		
14	-02		5	2
	-05		4	
	-12	8		
	-19	19		
16	-22	1	8	4
	-08			
	-26	26		
18	-08	4	11	4
	-11			
20	-32	32	16	
	-16			
22	-41	41	21	
	-21			
24	-55	55		
	-61	61		



FACE VIEW
RECEPTACLE

Alternate Insert Positions (Degrees)																				
Shell Size	A-A					B-B					C-C					D-D				
	N	B	C	E	F	N	B	C	E	F	N	B	C	E	F	N	B	C	E	F
08	105	-	-	118	82	140	-	-	148	132	215	-	-	248	207	265	-	-	278	252
10	105	85	125	115	85	140	120	160	145	135	215	195	235	245	210	265	245	285	275	255
12	105	89	121	115	85	140	124	156	145	135	215	199	231	245	210	265	249	275	275	255
14	105	91	119	75	120	140	126	154	105	170	215	201	229	205	245	265	251	275	235	280
16	105	93	117	75	120	140	128	152	105	170	215	203	227	205	245	265	253	235	235	280
18	105	95	115	75	120	140	130	150	105	170	215	205	225	205	245	265	255	235	235	280
20	105	95	115	75	120	140	130	150	105	170	215	205	225	205	245	265	255	235	235	280
22	105	97	113	75	120	140	132	148	105	170	215	207	223	205	245	265	257	235	235	280
24	105	97	113	75	120	140	132	148	105	170	215	207	223	205	245	265	257	235	235	280

NOTES:

- In Alternate Insert Positions, the Pin Insert rotates clockwise while the Socket Insert rotates counter-clockwise the same number of degrees relative to the centerline of the Master Key or Keyway.
- In Alternate Key/Keyway Positions, the smaller Plug Keys rotate clockwise with respect to the centerline of the Master Keyway as shown.