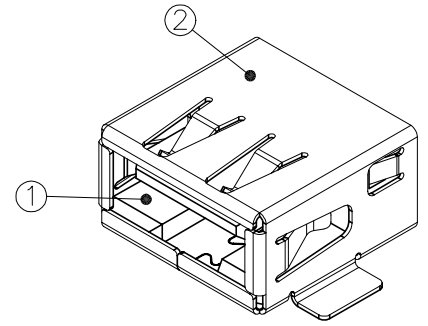
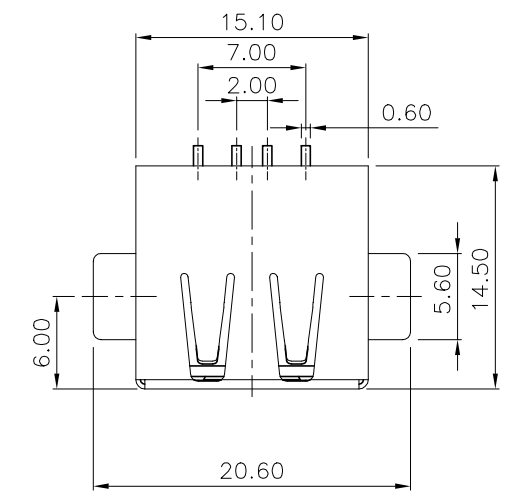
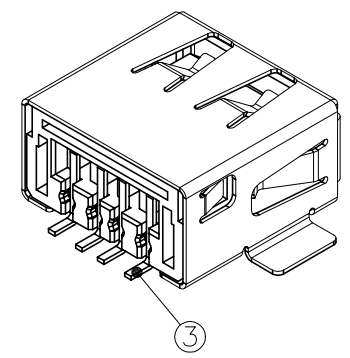
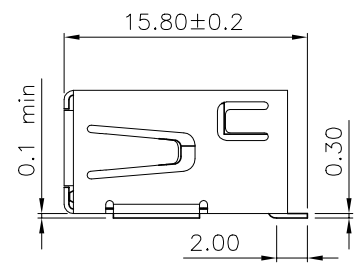
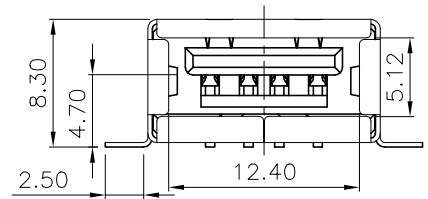
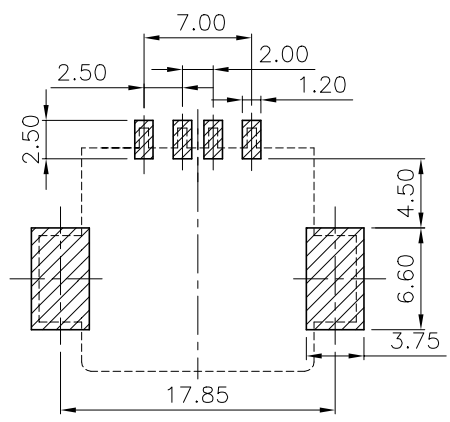


A
B
C
D
E
F
G
H
I
J
K
L
M
N



Recommended P.C.B Layout (Component Side)



- 1 (1) suction-area for SMT-pipet plane and smooth.
- (2) SMT-soldering-pads (USB-connector) surface min. 2um tin over 1.25um nickel.
- (3) SMT-soldering-pads (USB-connector) surface min. 2um tin over 1.25um nickel.
- (4) all soldering-area coplanar in one plane tolerance: max 0.1MM.

3	TERMINAL	Pho.Bronze	—	Gold/Tin plated
2	SHELL	Copper	—	Nickel plated
1	BODY	L.C.P.	BLACK	UL 94V-0
NO.	DESCRIPTION	MATERIAL	COLOR	REMARK

SUYIN
CONNECTOR

CUSTOMER COPY TITLE: USB CONNECTOR R/A SMD TYPE, Series A.

PART NO.				
PART NO. (OLD)	2577A-04G5T			
DRAWING NO.	D	2577A-04G5T		
SCALE	2:1	UNIT	mm	A4

ECN (DCN) NO.	0	DATE	NEW	CHANGE	APPRO.	GENERAL TOLERANCE UNLESS OTHERWISE NOTED	ANGLE	±2°	DRAW
							30 ~	±0.50	DESIGN
							10 ~ 30	±0.30	CHECK
							~ 10	±0.15	APPRO.