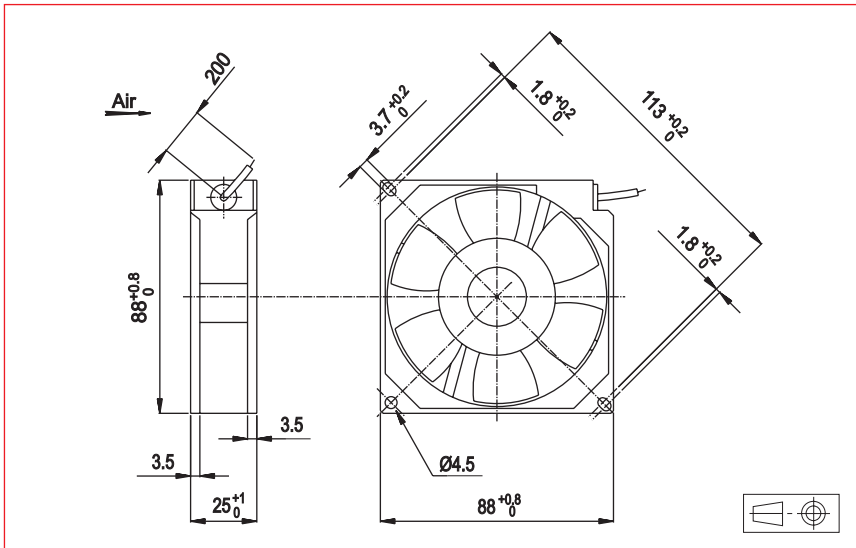


3,464" x 3,464" x 0,984" 88 x 88 x 25 mm

110VU

ETRI®

400 Hz Fans



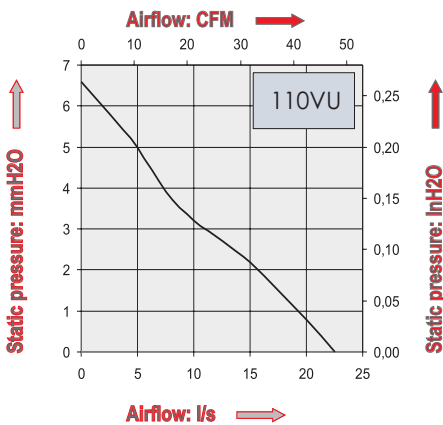
Approvals

NATO codification

Life expectancy

L-10 LIFE AT 40°C:
35 000 hours

400 Hz Motor
 Housing material: aluminium
 Impeller material: plastic
 Weight: 200 g
 Bearing system: ball bearings
 Connection: flying leads
 Electrical protection: impedance protected



| Part Number | Nominal voltage | Airflow | Noise level | Nominal speed | Phases | Capacitor (not included) | Input power | Nominal Current | Starting Current | Operating temperature | |
|--------------|-----------------|---------|-------------|---------------|--------|-----------------------------|-------------|-----------------|------------------|-----------------------|--------|
| | V | l/s | dB(A) | RPM | | µF | W | mA | mA | Min.°C | Max.°C |
| 110VU0162001 | 15 | 22,5 | 43 | 3300 | 1 | 0,47 | 14 | 130 | 140 | -10 | 70 |
| 110VU0160001 | 200 | 22,5 | 43 | 3300 | 1 | 0,15 | 14 | 75 | 80 | -10 | 70 |
| | | | | | | | | | | | |
| | | | | | | | | | | | |
| | | | | | | | | | | | |
| | | | | | | | | | | | |
| | | | | | | | | | | | |
| | | | | | | | | | | | |
| | | | | | | | | | | | |
| | | | | | | | | | | | |
| | | | | | | | | | | | |
| | | | | | | | | | | | |
| | | | | | | | | | | | |
| | | | | | | | | | | | |
| | | | | | | | | | | | |
| | | | | | | | | | | | |
| | | | | | | | | | | | |
| | | | | | | | | | | | |
| | | | | | | | | | | | |
| | | | | | | | | | | | |

Additional versions:
 Salt spray protected - Shock and vibration protected - Marine specifications
 Wide temperature range

Non contractual document. Specifications are subject to change without prior notice. Pictures for information only. Edition 2008