



**OPTICALLY COUPLED ISOLATOR
PHOTODARLINGTON OUTPUT**

APPROVALS

- UL recognised, File No. E91231

'X' SPECIFICATION APPROVALS

- VDE 0884 pending

DESCRIPTION

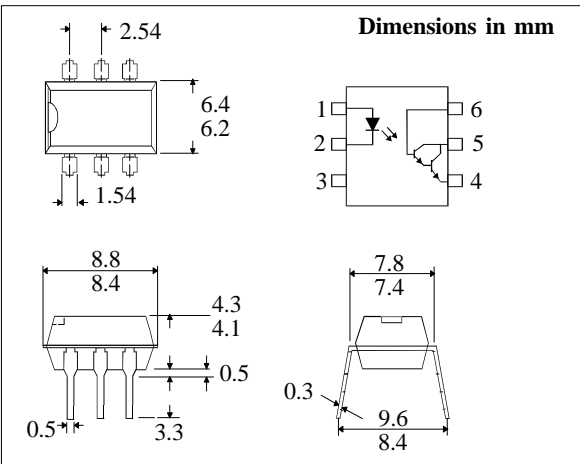
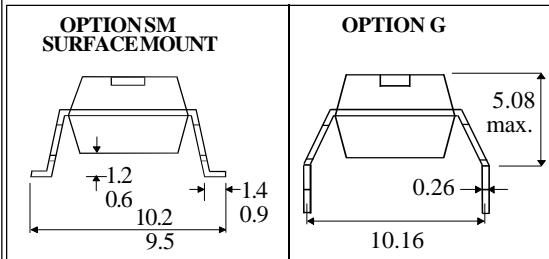
The TIL113 is an optically coupled isolator consisting of an infrared light emitting diode and NPN silicon photodarlington in a space efficient dual in line plastic package.

FEATURES

- Options :-
10mm lead spread - add G after part no.
Surface mount - add SM after part no.
Tape&reel - add SMT&R after part no.
- High Current Transfer Ratio
- High Isolation Voltage (5.3kV_{RMS}, 7.5kV_{PK})
- All electrical parameters 100% tested
- Custom electrical selections available

APPLICATIONS

- Computer terminals
- Industrial systems controllers
- Measuring instruments
- Signal transmission between systems of different potentials and impedances



**ABSOLUTE MAXIMUM RATINGS
(25°C unless otherwise specified)**

| | |
|---|------------------|
| Storage Temperature | -55°C to + 150°C |
| Operating Temperature | -55°C to + 100°C |
| Lead Soldering Temperature (1/16 inch (1.6mm) from case for 10 secs) | 260°C |

INPUT DIODE

| | |
|-------------------|-------|
| Forward Current | 80mA |
| Reverse Voltage | 5V |
| Power Dissipation | 105mW |

OUTPUT TRANSISTOR

| | |
|---|-------|
| Collector-emitter Voltage BV _{CEO} | 30V |
| Collector-base Voltage BV _{CBO} | 30V |
| Emitter-collector Voltage BV _{ECO} | 7V |
| Power Dissipation | 150mW |

POWER DISSIPATION

| | |
|---------------------------------------|-------|
| Total Power Dissipation | 250mW |
| (derate linearly 3.3mW/°C above 25°C) | |

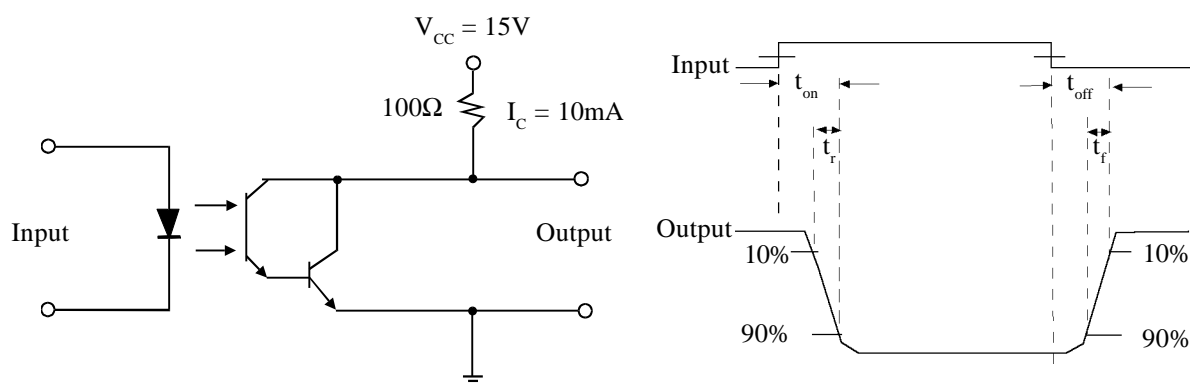
ISOCOM COMPONENTS LTD
Unit 25B, Park View Road West,
Park View Industrial Estate, Brenda Road
Hartlepool, TS25 1YD England Tel: (01429)863609
Fax : (01429) 863581 e-mail sales@isocom.co.uk
<http://www.isocom.com>

ELECTRICAL CHARACTERISTICS ($T_A = 25^\circ\text{C}$ Unless otherwise noted)

| PARAMETER | | MIN | TYP | MAX | UNITS | TEST CONDITION |
|-----------|--|--------------------|----------|------------|--------------------------------|--|
| Input | Forward Voltage (V_F) | | 1.2 | 1.5 | V | $I_F = 10\text{mA}$ |
| | Reverse Voltage (V_R) | 3 | | | V | $I_R = 10\mu\text{A}$ |
| | Reverse Current (I_R) | | | 10 | μA | $V_R = 3\text{V}$ |
| Output | Collector-emitter Breakdown (BV_{CEO}) | 30 | | | V | $I_C = 1\text{mA}$ (note 2) |
| | Collector-base Breakdown (BV_{CBO}) | 30 | | | V | $I_C = 100\mu\text{A}$ |
| | Emitter-collector Breakdown (BV_{ECO}) | 7 | | | V | $I_E = 100\mu\text{A}$ |
| | Collector-emitter Dark Current (I_{CEO}) | | | 100 | nA | $V_{CE} = 10\text{V}$ |
| Coupled | Collector Output Current (I_C) (Note 2) | 30 | | | mA | $10\text{mA } I_F, 1\text{V } V_{CE}$ |
| | Collector-emitter Saturation Voltage $V_{CE(SAT)}$ | | | 1.2 | V | $50\text{mA } I_F, 50\text{mA } I_C$ |
| | Input to Output Isolation Voltage V_{ISO} | 5300 | | | V_{RMS} V_{PK} | (note 1) (note 1) |
| | Input-output Isolation Resistance R_{ISO} | 5×10^{10} | | | Ω | $V_{IO} = 500\text{V}$ (note 1) |
| | Output Rise Time t_r Output Fall Time t_f | | 60 53 | 300 250 | μs μs | $V_{CC} = 15\text{V}, I_C = 10\text{mA},$ $R_L = 100\Omega$, fig.1 |

- Note 1 Measured with input leads shorted together and output leads shorted together.
 Note 2 Special Selections are available on request. Please consult the factory.

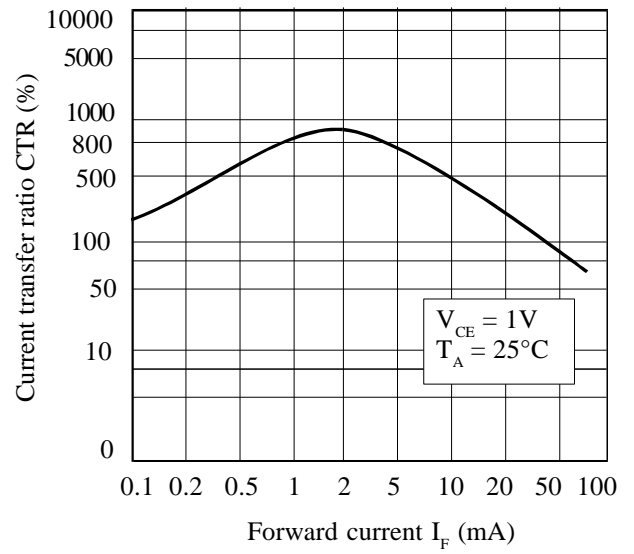
FIGURE 1



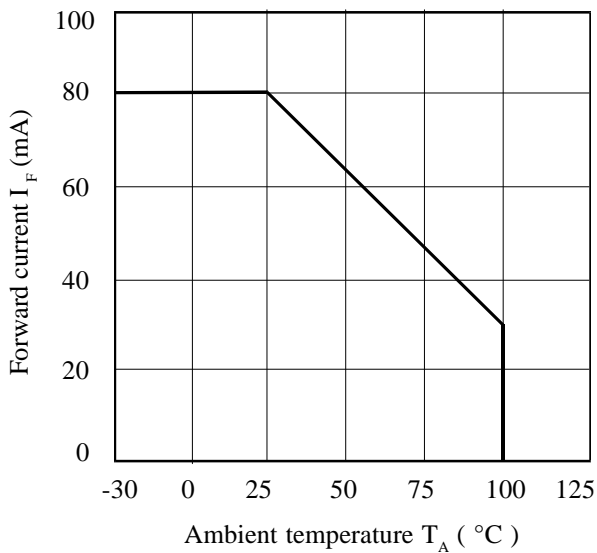
Collector Power Dissipation vs. Ambient Temperature



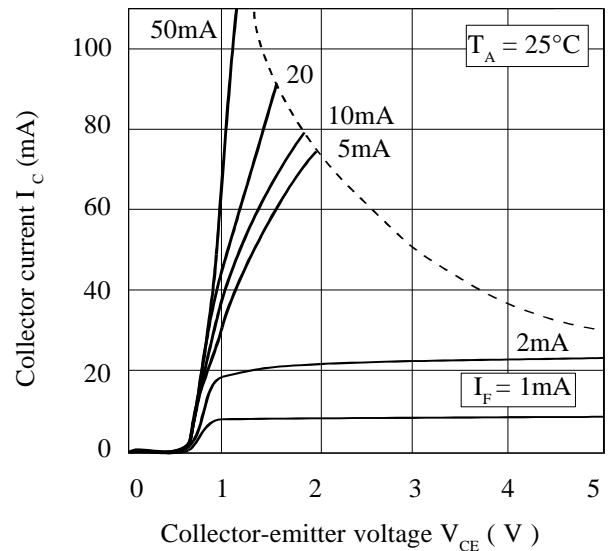
Current Transfer Ratio vs. Forward Current



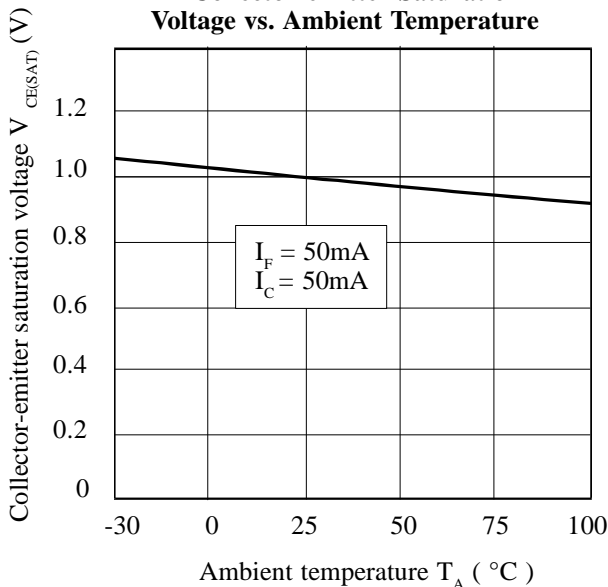
Forward Current vs. Ambient Temperature



Collector Current vs. Collector-emitter Voltage



Collector-emitter Saturation Voltage vs. Ambient Temperature



Relative Current Transfer Ratio vs. Ambient Temperature

