



TAI-SAW TECHNOLOGY CO., LTD.

No. 3, Industrial 2nd Rd., Ping-Chen Industrial District,
Taoyuan, 324, Taiwan, R.O.C.

TEL: 886-3-4690038 FAX: 886-3-4697532

E-mail: tstsales@mail.taisaw.com Web: www.taisaw.com

Approval Sheet For Product Specification

Issued Date:

Product Name: SAW Resonator 644.873 MHz SMD 3.8X3.8 mm

TST Parts No.: TC0429A

Customer Parts No.: _____

Company: _____
Division: _____
Approved by : _____
Date: _____

Checked by: Paul Ni

Approval by: Francis Chen

Date: 2007/12/20



TAI-SAW TECHNOLOGY CO., LTD.

No. 3, Industrial 2nd Rd., Ping-Chen Industrial District,
Taoyuan, 324, Taiwan, R.O.C.

TEL: 886-3-4690038 FAX: 886-3-4697532

E-mail: tstsales@mail.taisaw.com Web: www.taisaw.com

SAW Resonator 644.873 MHz

MODEL NO.: TC0429A

REV. NO.: 1.0

A. FEATURES:

1. 1-Port Resonator.

B. MAXIMUM RATING:

1. Input Power Level: 10 dBm

2. DC voltage: 3 V

3. Operating Temperature: -40°C to +85°C

4. Storage Temperature: -40°C to +85°C

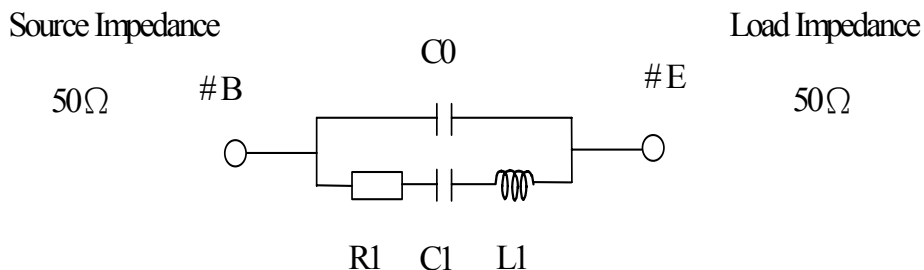
C. ELECTRICAL CHARACTERISTICS:

Characteristic	Units	Minimum	Typical	Maximum
Center frequency Fr	MHz	644.843	644.873	644.903
Insertion Loss IL	dB	-	1.1	2.0
Equivalent Elements				
Motional capacitance C1	fF	-	1.79	-
Motional inductance L1	μH	-	34.10	-
Motional resistance R1	Ohm	-	12.45	-
Parallel capacitance Co	pF	-	3.03	-
Temp.coeff.	ppm/c*2	-	0.032	-
Turnover To	deg.C	-	25	-
Package size		SMD 3.8X3.8X1.4mm		

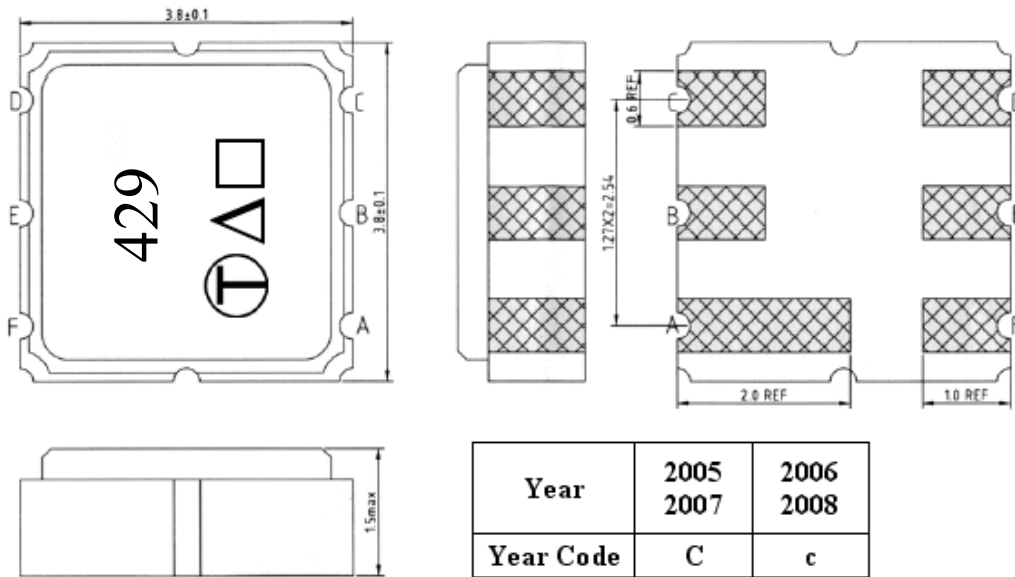
RoHS Compliant
Lead free
Lead-free soldering

D. EQUIVIRENT CIRCUIT:

One-Port Resonator:



E. OUTLINE DRAWING:

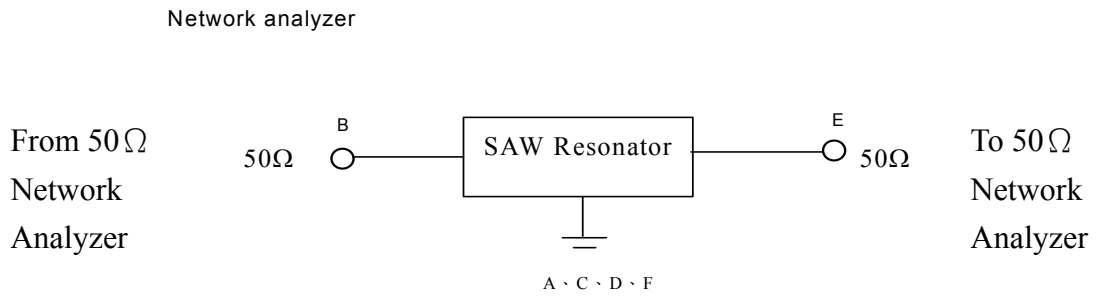


- #E : Input or Output
- #B : Output or Input
- #A、C、D、F : Ground
- △ : Year Code
- : Data Code(Follow the table provided by planer each year)

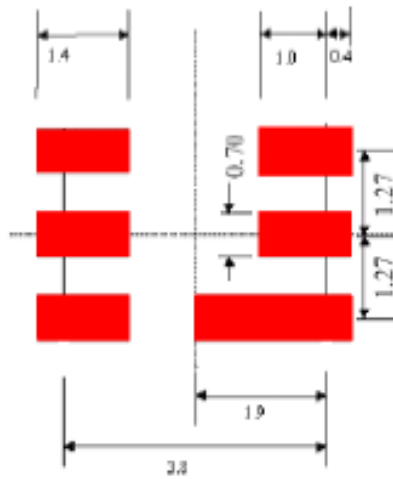
F. FREQUENCY CHARACTERISTICS



G. TEST CIRCUIT:



H. LAND PATTERN:



J. RECOMMENDED REFLOW PROFILE:

