
ST-NXP Wireless

IMPORTANT NOTICE

Dear customer,

As from August 2nd 2008, the wireless operations of STMicroelectronics have moved to a new company, ST-NXP Wireless.

As a result, the following changes are applicable to the attached document.

- **Company name - STMicroelectronics NV** is replaced with **ST-NXP Wireless**.
- **Copyright** - the copyright notice at the bottom of the last page “© STMicroelectronics 200x - All rights reserved”, shall now read: “© ST-NXP Wireless 200x - All rights reserved”.
- **Web site** - <http://www.st.com> is replaced with <http://www.stnwireless.com>
- **Contact information** - the list of sales offices is found at <http://www.stnwireless.com> under Contacts.

If you have any questions related to the document, please contact our nearest sales office. Thank you for your cooperation and understanding.

ST-NXP Wireless



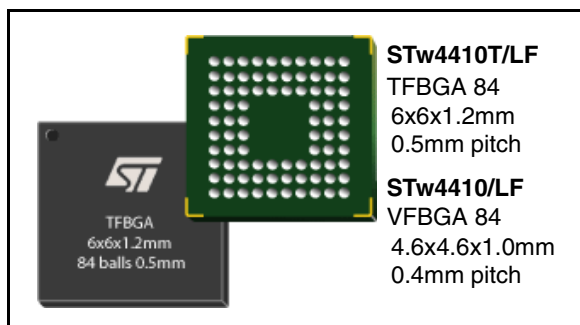
Features

- 2 Step-down converters
 - V_{sd1}: 1 to 1.5 V with 15 steps at 650 mA, and 1.2, 1.3, 1.4 & 1.5 V by ball programming
 - V_{sd2}: 1.8 V at 600 mA for general purpose usage
- 4 Low-drop output regulators for different uses
 - V_{dig}: 1.0, 1.2, 1.5 - 250 mA, supplied by V_{sd2}
 - V_{ana1}: 1.5, 1.8, 2.5, 2.8 V - 150 mA
 - V_{ana2}: 1.5, 1.8, 2.5, 2.8 V - 150 mA
 - V_{ana3}: 1.5, 1.8, 2.5, 2.8 V - 150 mA
- Mass memory cards (SD/MMC/SDIO)
 - V_{mmc}: 1.8, 2.5, 2.85, 3 V - 150mA
 - Level shifters
- Miscellaneous
 - 32 kHz control for processor
 - Processor supply monitoring
 - Processor reset control
 - Serial I2C interface
 - Thermal shutdown, thermal interruption warning for processor
 - Clock squarer for master clock

Description

STw4410 is a power management device with advanced features. The two Switched Mode Power Supplies (SMPS) and the four Low Drop Output regulators (LDO) had been designed to use the better external components, to have the better efficiency and the better noise rejection to the load and line transient perturbation.

This product suits well all mobile applications thanks to its very low consumption in sleep mode.



The high level of the dynamic performances allows to use the product to supply all processors used mobile phone or in multimedia platform, furthermore, the output voltage programming of V_{sd1} SMPS converter allows to use this power management unit with all actual processors.

The second SMPS has been designed with a fixed voltage of 1.8V that can be used to supply a wide range of external devices as memory devices for instance.

The four LDO's can supply all the peripheral devices that can be used on a multimedia platform like audio or TV out devices for example. V_{dig} is a high current capability LDO and it is supplied by the V_{sd2} SMPS to reduce the power dissipation.

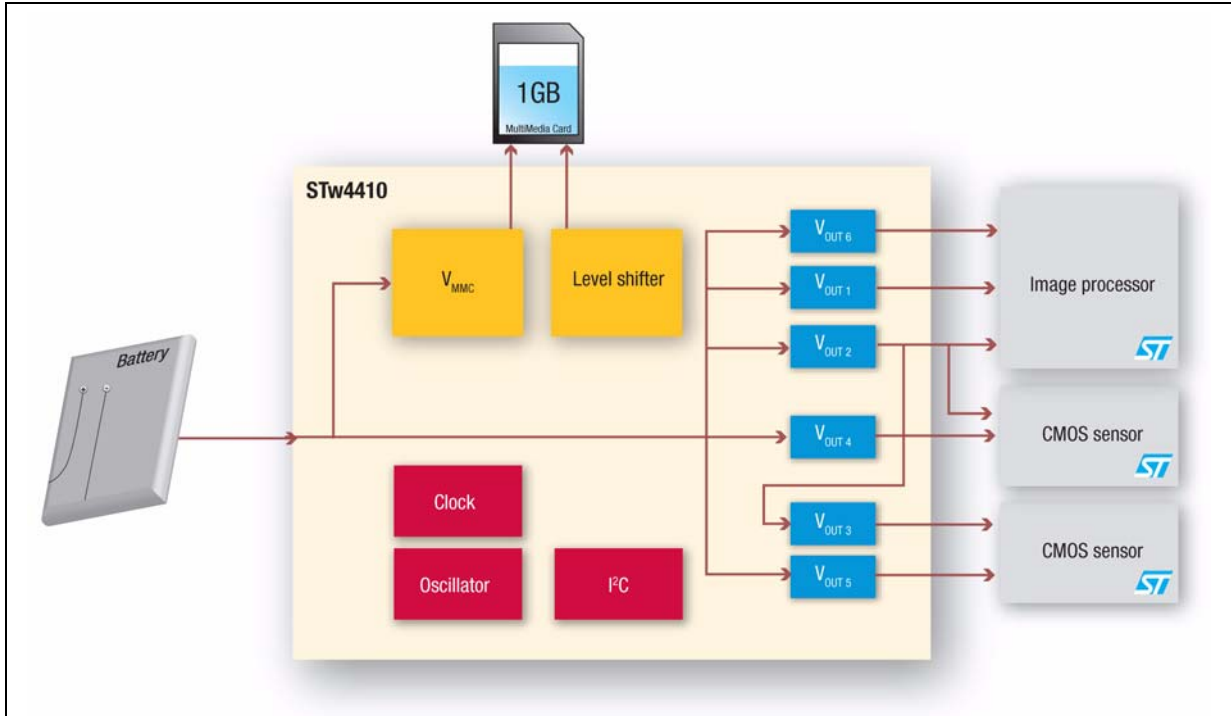
This product has also embedded MMC level shifters and the associated LDO to be used to address the MMC card.

Soft-start procedure had been embedded in the device managing the internal clock and the start of the different voltage of the DC/DC regulators. OTG programming could be done to change the power supply start timing to let customer the flexibility needed in their applications. STw4410 has got an internal clock that can be used to switch the SMPS without any external clock.

The STw4410 typical applications are imaging processor, application processor supply solutions, mobile phones, personal digital assistants (PDA).

Block diagram

Figure 1. STw4410 block diagram



Ordering information

Table 1. Order codes

Part number ⁽¹⁾	Package
STw4410T/LF	TFBGA84
STw4410/LF	VFBGA84

1. Specific programming of OTP parameters are possible, for OTP customization, contact your ST local sale representative

Revision history

Table 2. Document revision history

Date	Revision	Changes
22-Dec-2006	1	Initial release.

Please Read Carefully:

Information in this document is provided solely in connection with ST products. STMicroelectronics NV and its subsidiaries ("ST") reserve the right to make changes, corrections, modifications or improvements, to this document, and the products and services described herein at any time, without notice.

All ST products are sold pursuant to ST's terms and conditions of sale.

Purchasers are solely responsible for the choice, selection and use of the ST products and services described herein, and ST assumes no liability whatsoever relating to the choice, selection or use of the ST products and services described herein.

No license, express or implied, by estoppel or otherwise, to any intellectual property rights is granted under this document. If any part of this document refers to any third party products or services it shall not be deemed a license grant by ST for the use of such third party products or services, or any intellectual property contained therein or considered as a warranty covering the use in any manner whatsoever of such third party products or services or any intellectual property contained therein.

UNLESS OTHERWISE SET FORTH IN ST'S TERMS AND CONDITIONS OF SALE ST DISCLAIMS ANY EXPRESS OR IMPLIED WARRANTY WITH RESPECT TO THE USE AND/OR SALE OF ST PRODUCTS INCLUDING WITHOUT LIMITATION IMPLIED WARRANTIES OF MERCHANTABILITY, FITNESS FOR A PARTICULAR PURPOSE (AND THEIR EQUIVALENTS UNDER THE LAWS OF ANY JURISDICTION), OR INFRINGEMENT OF ANY PATENT, COPYRIGHT OR OTHER INTELLECTUAL PROPERTY RIGHT.

UNLESS EXPRESSLY APPROVED IN WRITING BY AN AUTHORIZED ST REPRESENTATIVE, ST PRODUCTS ARE NOT RECOMMENDED, AUTHORIZED OR WARRANTED FOR USE IN MILITARY, AIR CRAFT, SPACE, LIFE SAVING, OR LIFE SUSTAINING APPLICATIONS, NOR IN PRODUCTS OR SYSTEMS WHERE FAILURE OR MALFUNCTION MAY RESULT IN PERSONAL INJURY, DEATH, OR SEVERE PROPERTY OR ENVIRONMENTAL DAMAGE. ST PRODUCTS WHICH ARE NOT SPECIFIED AS "AUTOMOTIVE GRADE" MAY ONLY BE USED IN AUTOMOTIVE APPLICATIONS AT USER'S OWN RISK.

Resale of ST products with provisions different from the statements and/or technical features set forth in this document shall immediately void any warranty granted by ST for the ST product or service described herein and shall not create or extend in any manner whatsoever, any liability of ST.

ST and the ST logo are trademarks or registered trademarks of ST in various countries.

Information in this document supersedes and replaces all information previously supplied.

The ST logo is a registered trademark of STMicroelectronics. All other names are the property of their respective owners.

© 2006 STMicroelectronics - All rights reserved

STMicroelectronics group of companies

Australia - Belgium - Brazil - Canada - China - Czech Republic - Finland - France - Germany - Hong Kong - India - Israel - Italy - Japan - Malaysia - Malta - Morocco - Singapore - Spain - Sweden - Switzerland - United Kingdom - United States of America

www.st.com