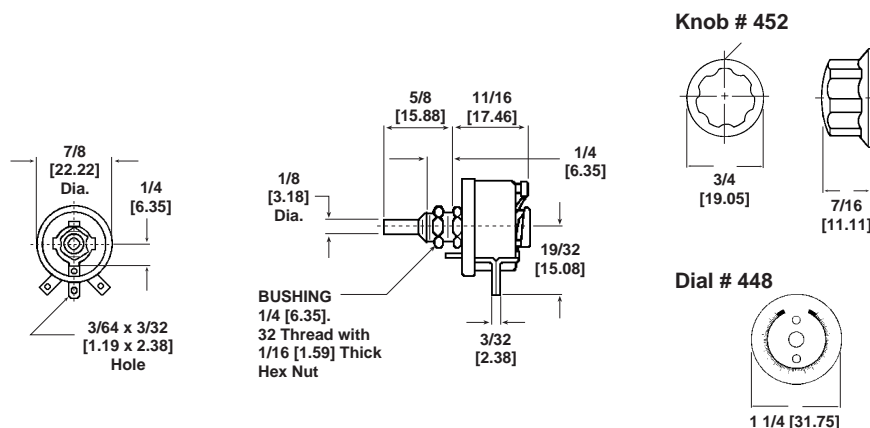


# Power Rheostats

12.5 Watt


**FEATURES**

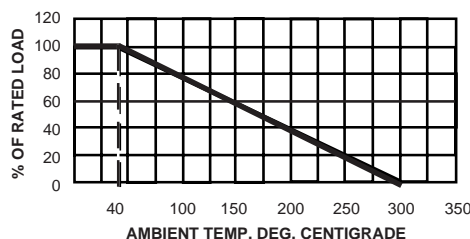
- Diameter 7/8" [22.22mm]
- Depth behind panel 11/16" [17.46mm]
- Shaft 1/8" [3.18mm] diameter
- Rotation 300° ± 5°
- Weight 0.037 pounds (17 grams)
- Mounts on panels up to 1/8" [3.18mm] by means of a 1/4" [6.35mm], 32 bushing and hex nut
- Non-turn lugs require 1/8" [3.18mm] hole, 1/4" [6.35mm] below center of shaft - Model "A" shaft

**DIMENSIONS** in inches [millimeters]

**RESISTANCE VALUES\***

TOTAL OHMS	MAXIMUM AMPS	APPROXIMATE STEPS
1.0	3.530	29
2.0	2.500	42
2.5	2.240	38
3.0	2.040	44
5.0	1.580	40
6.0	1.440	48
8.0	1.250	51
10.0	1.120	51
15.0	0.910	51
25.0	0.710	73
35.0	0.600	75
50.0	0.500	86
75.0	0.410	103
100.0	0.350	108
125.0	0.320	128
150.0	0.290	128
175.0	0.270	148
200.0	0.250	130
250.0	0.220	166
350.0	0.190	185
500.0	0.160	215
750.0	0.130	255
1000.0	0.110	260
1500.0	0.091	310
2500.0	0.071	321
3500.0	0.060	378
5000.0	0.050	430

**DERATING**

Angstromh rheostat standard wattage ratings are based on a 300°C rise in "free-air" in ambient not exceeding + 40°C (shown). For other applications, wattage ratings are available based on 340°C rise in "free-air" in ambient not exceeding + 25°C, and in other cases + 50°C.



\* All other intermediate resistance values are available and can be manufactured on a normal delivery cycle.

MARKING
— Resistance value
— Amps
— Date code

ORDERING INFORMATION		
<b>MP06</b> MODEL	<b>A</b> BUSHING AND SHAFT CONFIGURATION	<b>100</b> VALUE
	A = Standard Round Shaft	
<b>NOTE:</b> For Additional Features: Submit detailed drawing information when ordering "non-standard" parts.		



## Notice

Specifications of the products displayed herein are subject to change without notice. Vishay Intertechnology, Inc., or anyone on its behalf, assumes no responsibility or liability for any errors or inaccuracies.

Information contained herein is intended to provide a product description only. No license, express or implied, by estoppel or otherwise, to any intellectual property rights is granted by this document. Except as provided in Vishay's terms and conditions of sale for such products, Vishay assumes no liability whatsoever, and disclaims any express or implied warranty, relating to sale and/or use of Vishay products including liability or warranties relating to fitness for a particular purpose, merchantability, or infringement of any patent, copyright, or other intellectual property right.

The products shown herein are not designed for use in medical, life-saving, or life-sustaining applications. Customers using or selling these products for use in such applications do so at their own risk and agree to fully indemnify Vishay for any damages resulting from such improper use or sale.