

FEATURES

- Offset Voltage – Prime Grade: 60 μ V Max
- Offset Voltage – Low Cost Grade (Including Surface Mount Dual/Quad): 75 μ V Max
- Offset Voltage Drift: 0.5 μ V/ $^{\circ}$ C Max
- Input Bias Current: 250pA Max
- 0.1Hz to 10Hz Noise: 0.3 μ V_{P-P}, 2.2pA_{P-P}
- Supply Current per Amplifier: 400 μ A Max
- CMRR: 120dB Min
- Voltage Gain: 1 Million Min
- Guaranteed Specs with \pm 1.0V Supplies
- Guaranteed Matching Specifications
- SO-8 Package – Standard Pinout
- LT1114 in Narrow Surface Mount Package

APPLICATIONS

- Picoampere/Microvolt Instrumentation
- Two and Three Op Amp Instrumentation Amplifiers
- Thermocouple and Bridge Amplifiers
- Low Frequency Active Filters
- Photo Current Amplifiers
- Battery-Powered Systems

DESCRIPTION

The LT[®]1112 dual and LT1114 quad op amps achieve a new standard in combining low cost and outstanding precision specifications.

The performance of the selected prime grades matches or exceeds competitive devices. In the design of the LT1112/LT1114 however, particular emphasis has been placed on optimizing performance in the low cost plastic and SO packages. For example, the 75 μ V maximum offset voltage in these low cost packages is the lowest on any dual or quad non-chopper op amp.

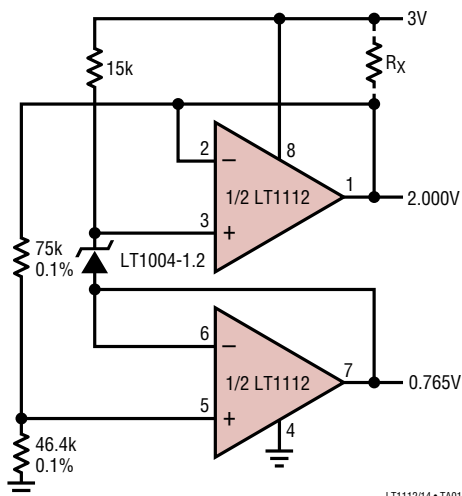
The LT1112/LT1114 also provide a full set of matching specifications, facilitating their use in such matching dependent applications as two and three op amp instrumentation amplifiers.

Another set of specifications is furnished at \pm 1V supplies. This, combined with the low 320 μ A supply current per amplifier, allows the LT1112/LT1114 to be powered by two nearly discharged AA cells.

LT, LT, LTC and LTM are registered trademarks of Linear Technology Corporation. Protected by U.S. Patents 4,575,685; 4,775,884 and 4,837,496

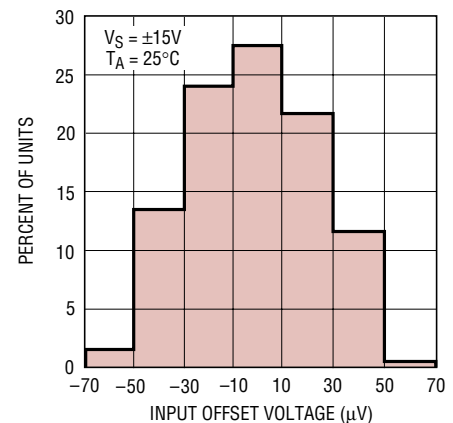
TYPICAL APPLICATION

Dual Output, Buffered Reference (On Single 3V Supply)



TOTAL SUPPLY CURRENT = 700 μ A
 2V REFERENCE: SOURCES 1.7mA, SINKS 5mA
 OPTIONAL $R_X = 300\Omega$ INCREASES SOURCE CURRENT TO 5mA
 0.765V REFERENCE: SOURCES 5mA, SINKS 0.5mA
 TEMPERATURE COEFFICIENT LIMITED BY REFERENCE = 20ppm/ $^{\circ}$ C
 MINIMUM SUPPLY = 2.7V

Distribution of Input Offset Voltage (In All Packages)



LT1112/14 • TA02

ABSOLUTE MAXIMUM RATINGS (Note 1)

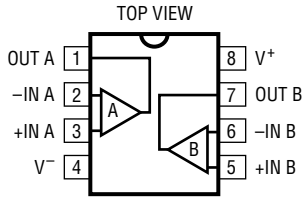
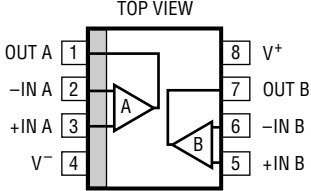
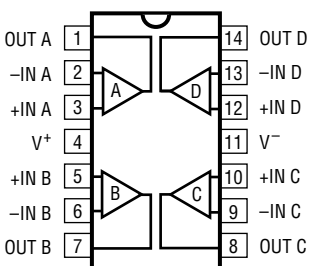
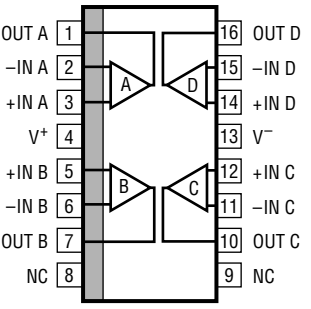
Supply Voltage $\pm 20V$
 Differential Input Current (Note 2) $\pm 10mA$
 Input Voltage (Equal to Supply Voltage) $\pm 20V$
 Output Short-Circuit Duration Indefinite
 Storage Temperature Range $-65^{\circ}C$ to $150^{\circ}C$
 Lead Temperature (Soldering, 10 sec) $300^{\circ}C$
 Operating Temperature Range (Note 11)

Specified Temperature Range (Note 12)

LT1112AM/LT1112M
 LT1114AM/LT1114M (**OBSOLETE**)... $-55^{\circ}C$ to $125^{\circ}C$
 LT1112AC/LT1112C/LT1112S8
 LT1114AC/LT1114C/LT1114S $-40^{\circ}C$ to $85^{\circ}C$
 LT1112I/LT1114I $-40^{\circ}C$ to $85^{\circ}C$
 LT1112MPS8 $-55^{\circ}C$ to $125^{\circ}C$

LT1112AM/LT1112M
 LT1114AM/LT1114M (**OBSOLETE**)... $-55^{\circ}C$ to $125^{\circ}C$
 LT1112AC/LT1112C/LT1112S8
 LT1114AC/LT1114C/LT1114S $-40^{\circ}C$ to $85^{\circ}C$
 LT1112I/LT1114I $-40^{\circ}C$ to $85^{\circ}C$
 LT1112MPS8 $-55^{\circ}C$ to $125^{\circ}C$

PACKAGE/ORDER INFORMATION

| | | | |
|--|--|--|---|
|  <p>N8 PACKAGE 8-LEAD PDIP</p> <p>$T_{JMAX} = 150^{\circ}C$, $\theta_{JA} = 130^{\circ}C/W$</p> <p>J8 PACKAGE 8-LEAD CERDIP $T_{JMAX} = 160^{\circ}C$, $\theta_{JA} = 100^{\circ}C/W$</p> <p>OBSOLETE PACKAGE Consider the N8 Package for Alternate Source</p> | <p>ORDER PART NUMBER</p> <p>LT1112ACN8 LT1112CN8 LT1112IN8</p> <p>LT1112AMJ8 LT1112MJ8</p> |  <p>S8 PACKAGE 8-LEAD PLASTIC SO</p> <p>$T_{JMAX} = 150^{\circ}C$, $\theta_{JA} = 190^{\circ}C/W$</p> | <p>ORDER PART NUMBER</p> <p>LT1112S8 LT1112IS8 LT1112MPS8</p> <p>S8 PART MARKING</p> <p>1112 1112I 1112MP</p> |
|  <p>N PACKAGE 14-LEAD PDIP</p> <p>$T_{JMAX} = 150^{\circ}C$, $\theta_{JA} = 110^{\circ}C/W$</p> <p>J PACKAGE 14-LEAD CERDIP $T_{JMAX} = 160^{\circ}C$, $\theta_{JA} = 80^{\circ}C/W$ (J)</p> <p>OBSOLETE PACKAGE Consider the N Package for Alternate Source</p> | <p>ORDER PART NUMBER</p> <p>LT1114ACN LT1114CN LT1114IN</p> <p>LT1114AMJ LT1114MJ</p> |  <p>S PACKAGE 16-LEAD PLASTIC SO (NARROW)</p> <p>$T_{JMAX} = 150^{\circ}C$, $\theta_{JA} = 150^{\circ}C/W$</p> | <p>ORDER PART NUMBER</p> <p>LT1114S LT1114IS</p> |

Consult LTC Marketing for parts specified with wider operating temperature ranges.

ELECTRICAL CHARACTERISTICS $V_S = \pm 15V$, $V_{CM} = 0V$, $T_A = 25^\circ C$, unless otherwise noted.

| SYMBOL | PARAMETER | CONDITIONS (Note 3) | LT1112AM/AC LT1114AM/AC | | | LT1112M/C/I LT1114M/C/I | | | UNITS |
|-------------------------------------|--|---|----------------------------|--------------------------|------------|----------------------------|--------------------------|------------------------|----------------------------------|
| | | | MIN | TYP | MAX | MIN | TYP | MAX | |
| V_{OS} | Input Offset Voltage | $V_S = \pm 1.0V$ | | 20 40 | 60 110 | | 25 45 | 75 130 | μV μV |
| $\frac{\Delta V_{OS}}{\Delta Time}$ | Long Term Input Offset Voltage Stability | | | 0.3 | | | 0.3 | | $\mu V/Mo$ |
| I_{OS} | Input Offset Current | LT1114S/LT1114IS | | 50 | 180 | | 60 75 | 230 330 | pA pA |
| I_B | Input Bias Current | LT1114S/LT1114IS | | ± 70 | ± 250 | | ± 80 ± 100 | ± 280 ± 450 | pA pA |
| e_n | Input Noise Voltage | 0.1Hz to 10Hz (Note 10) | | 0.3 | 0.9 | | 0.3 | 0.9 | μV_{P-P} |
| | Input Noise Voltage Density | $f_0 = 10Hz$ (Note 10) $f_0 = 1000Hz$ (Note 10) | | 16 14 | 28 18 | | 16 14 | 28 18 | nV/\sqrt{Hz} nV/\sqrt{Hz} |
| i_n | Input Noise Current | 0.1Hz to 10Hz | | 2.2 | | | 2.2 | | pA_{P-P} |
| | Input Noise Current Density | $f_0 = 10Hz$ $f_0 = 1000Hz$ | | 0.030 0.008 | | | 0.030 0.008 | | pA/\sqrt{Hz} pA/\sqrt{Hz} |
| V_{CM} | Input Voltage Range | | ± 13.5 | ± 14.3 | | ± 13.5 | ± 14.3 | | V |
| CMRR | Common Mode Rejection Ratio | $V_{CM} = \pm 13.5V$ | 120 | 136 | | 115 | 136 | | dB |
| PSRR | Power Supply Rejection Ratio | $V_S = \pm 1.0V$ to $\pm 20V$ | 116 | 126 | | 114 | 126 | | dB |
| | Minimum Supply Voltage | (Note 5) | ± 1.0 | | | ± 1.0 | | | V |
| R_{IN} | Input Resistance Differential Mode Common Mode | (Note 4) | 20 | 50 800 | | 15 | 40 700 | | M Ω G Ω |
| A_{VOL} | Large-Signal Voltage Gain | $V_0 = \pm 12V$, $R_L = 10k\Omega$ $V_0 = \pm 10V$, $R_L = 2k\Omega$ | 1000 800 | 5000 1500 | | 800 600 | 5000 1300 | | V/mV V/mV |
| V_{OUT} | Output Voltage Swing | $R_L = 10k\Omega$ $R_L = 2k\Omega$ | ± 13.0 ± 11.0 | ± 14.0 ± 12.4 | | ± 13.0 ± 11.0 | ± 14.0 ± 12.4 | | V V |
| SR | Slew Rate | | 0.16 | 0.30 | | 0.16 | 0.30 | | V/ μs |
| GBW | Gain-Bandwidth Product | $f_0 = 10kHz$ | 450 | 750 | | 450 | 750 | | kHz |
| I_S | Supply Current per Amplifier | $V_S = \pm 1.0V$ | | 350 320 | 400 370 | | 350 320 | 450 420 | μA μA |
| | Channel Separation | $f_0 = 10Hz$ | | 150 | | | 150 | | dB |
| ΔV_{OS} | Offset Voltage Match | (Note 6) | | 35 | 100 | | 40 | 130 | μV |
| ΔI_B^+ | Noninverting Bias Current Match (Notes 6, 7) | LT1114S/LT1114IS | | 100 | 450 | | 100 120 | 500 680 | pA pA |
| $\Delta CMRR$ | Common Mode Rejection Match | (Notes 6, 8) | 117 | 136 | | 113 | 136 | | dB |
| $\Delta PSRR$ | Power Supply Rejection Match | (Notes 6, 8) | 114 | 130 | | 112 | 130 | | dB |

ELECTRICAL CHARACTERISTICS The ● denotes the specifications which apply over the full operating temperature range of $-55^{\circ}\text{C} \leq T_A \leq 125^{\circ}\text{C}$, otherwise specifications are at $T_A = 25^{\circ}\text{C}$. $V_S = \pm 15\text{V}$, unless otherwise noted.

| SYMBOL | PARAMETER | CONDITIONS (Note 3) | LT1112AMJ8 LT1114AMJ | | | LT1112MJ8/MPS8 LT1114MJ | | | UNITS |
|--|---|---|-------------------------|------------|-------------|----------------------------|-------------|--------------------------------|-------|
| | | | MIN | TYP | MAX | MIN | TYP | MAX | |
| V_{OS} | Input Offset Voltage | LT1112MPS8 $V_S = \pm 1.2\text{V}$ | ● | 35 | 120 | 45 | 150 | μV | |
| | | | ● | 60 | 220 | 70 | 260 | μV | |
| $\frac{\Delta V_{OS}}{\Delta \text{Temp}}$ | Average Input Offset Voltage Drift | (Note 9) LT1112MPS8 | ● | 0.15 | 0.5 | 0.20 | 0.75 | $\mu\text{V}/^{\circ}\text{C}$ | |
| | | | ● | | | 0.4 | 1.3 | $\mu\text{V}/^{\circ}\text{C}$ | |
| I_{OS} | Input Offset Current | | ● | 80 | 400 | 100 | 500 | pA | |
| I_B | Input Bias Current | | ● | ± 150 | ± 600 | ± 170 | ± 700 | pA | |
| V_{CM} | Input Voltage Range | | ● | ± 13.5 | ± 14.1 | ± 13.5 | ± 14.1 | V | |
| CMRR | Common Mode Rejection Ratio | $V_{CM} = \pm 13.5\text{V}$ | ● | 116 | 130 | 111 | 130 | dB | |
| PSRR | Power Supply Rejection Ratio | $V_S = \pm 1.2\text{V}$ to $\pm 20\text{V}$ | ● | 112 | 124 | 110 | 124 | dB | |
| A_{VOL} | Large-Signal Voltage Gain | $V_O = \pm 12\text{V}$, $R_L = 10\text{k}\Omega$ $V_O = \pm 10\text{V}$, $R_L = 2\text{k}\Omega$ | ● | 500 | 2500 | 400 | 2500 | V/mV | |
| | | | ● | 200 | 600 | 170 | 500 | V/mV | |
| V_{OUT} | Output Voltage Swing | $R_L = 10\text{k}\Omega$ | ● | ± 13.0 | ± 13.85 | ± 13.0 | ± 13.85 | V | |
| SR | Slew Rate | | ● | 0.12 | 0.22 | 0.12 | 0.22 | V/ μs | |
| I_S | Supply Current per Amplifier | | ● | 380 | 460 | 380 | 530 | μA | |
| ΔV_{OS} | Offset Voltage Match (Note 6) | LT1112MPS8 | ● | 55 | 200 | 70 | 240 | μV | |
| | | | ● | | | 70 | 270 | μV | |
| | Offset Voltage Match Drift (Notes 6, 9) | LT1112MPS8 | ● | 0.2 | 0.7 | 0.3 | 1.0 | $\mu\text{V}/^{\circ}\text{C}$ | |
| | | | ● | | | 0.5 | 1.9 | $\mu\text{V}/^{\circ}\text{C}$ | |
| ΔI_B^+ | Noninverting Bias Current Match | (Notes 6, 7) | ● | 150 | 750 | 170 | 850 | pA | |
| ΔCMRR | Common Mode Rejection Ratio | (Notes 6, 8) | ● | 112 | 130 | 106 | 130 | dB | |
| ΔPSRR | Power Supply Rejection Ratio | (Notes 6, 8) | ● | 109 | 126 | 106 | 126 | dB | |

The ● denotes the specifications which apply over the full operating temperature range of $0^{\circ}\text{C} \leq T_A \leq 70^{\circ}\text{C}$, otherwise specifications are at $T_A = 25^{\circ}\text{C}$. $V_S = \pm 15\text{V}$, unless otherwise noted.

| SYMBOL | PARAMETER | CONDITIONS (Note 3) | LT1112ACN8 LT1114ACN | | | LT1112CN8/S8/IS8 LT1114CN/S/IS | | | UNITS |
|--|---|---|-------------------------|------------|------------|-----------------------------------|------------|--------------------------------|-------|
| | | | MIN | TYP | MAX | MIN | TYP | MAX | |
| V_{OS} | Input Offset Voltage | LT1112CN8 LT1112S8, LT1114CN/S $V_S = \pm 1.2\text{V}$ | ● | 27 | 100 | 30 | 125 | μV | |
| | | | ● | 35 | 125 | 45 | 150 | μV | |
| | | | ● | 50 | 175 | 65 | 210 | μV | |
| $\frac{\Delta V_{OS}}{\Delta \text{Temp}}$ | Average Input Offset Voltage Drift (Note 9) | LT1112CN8 LT1112S8, LT1114CN/S | ● | 0.15 | 0.5 | 0.2 | 0.75 | $\mu\text{V}/^{\circ}\text{C}$ | |
| | | | ● | 0.3 | 1.1 | 0.4 | 1.3 | $\mu\text{V}/^{\circ}\text{C}$ | |
| I_{OS} | Input Offset Current | LT1114S | ● | 60 | 220 | 70 | 290 | pA | |
| | | | ● | | | 90 | 420 | pA | |
| I_B | Input Bias Current | LT1114S | ● | ± 80 | ± 300 | ± 90 | ± 350 | pA | |
| | | | ● | | | ± 115 | ± 550 | pA | |
| V_{CM} | Input Voltage Range | | ● | ± 13.5 | ± 14.2 | ± 13.5 | ± 14.2 | V | |
| CMRR | Common Mode Rejection Ratio | $V_{CM} = \pm 13.5\text{V}$ | ● | 118 | 133 | 113 | 133 | dB | |
| PSRR | Power Supply Rejection Ratio | $V_S = \pm 1.2\text{V}$ to $\pm 20\text{V}$ | ● | 114 | 125 | 112 | 125 | dB | |
| A_{VOL} | Large-Signal Voltage Gain | $V_O = \pm 12\text{V}$, $R_L = 10\text{k}\Omega$ $V_O = \pm 10\text{V}$, $R_L = 2\text{k}\Omega$ | ● | 800 | 4000 | 650 | 4000 | V/mV | |
| | | | ● | 500 | 1300 | 400 | 1000 | V/mV | |
| V_{OUT} | Output Voltage Swing | $R_L = 10\text{k}\Omega$ | ● | ± 13.0 | ± 13.9 | ± 13.0 | ± 13.9 | V | |
| SR | Slew Rate | | ● | 0.14 | 0.27 | 0.14 | 0.27 | V/ μs | |

ELECTRICAL CHARACTERISTICS The ● denotes the specifications which apply over the full operating temperature range of $0^{\circ}\text{C} \leq T_A \leq 70^{\circ}\text{C}$, otherwise specifications are at $T_A = 25^{\circ}\text{C}$. $V_S = \pm 15\text{V}$, unless otherwise noted.

| SYMBOL | PARAMETER | CONDITIONS (Note 3) | LT1112ACN8 LT1114ACN | | | LT1112CN8/S8/IS8 LT1114CN/S/IS | | | UNITS |
|---------------------|--|----------------------|-------------------------|-----|-----|-----------------------------------|-----|--------------------------------|-------|
| | | | MIN | TYP | MAX | MIN | TYP | MAX | |
| I_S | Supply Current per Amplifier | | ● | 370 | 440 | 370 | 500 | μA | |
| ΔV_{OS} | Offset Voltage Match (Note 6) | LT1112CN8 | ● | 45 | 170 | 55 | 210 | μV | |
| | | LT1112S8, LT1114CN/S | ● | 55 | 220 | 70 | 270 | μV | |
| | Offset Voltage Match Drift (Notes 6, 9) | LT1112N8 | ● | 0.2 | 0.7 | 0.3 | 1.0 | $\mu\text{V}/^{\circ}\text{C}$ | |
| | | LT1112S8, LT1114CN/S | ● | 0.4 | 1.6 | 0.5 | 1.9 | $\mu\text{V}/^{\circ}\text{C}$ | |
| ΔI_B^+ | Noninverting Bias Current Match (Notes 6, 7) | LT1114S | ● | 120 | 530 | 135 | 620 | pA | |
| ΔCMRR | Common Mode Rejection Ratio | (Notes 6, 8) | ● | 114 | 134 | 109 | 134 | dB | |
| ΔPSRR | Power Supply Rejection Ratio | (Notes 6, 8) | ● | 110 | 128 | 108 | 128 | dB | |

The ● denotes the specifications which apply over the full operating temperature range of $-40^{\circ}\text{C} \leq T_A \leq 85^{\circ}\text{C}$, otherwise specifications are at $T_A = 25^{\circ}\text{C}$. $V_S = \pm 15\text{V}$, unless otherwise noted. (Note 12)

| SYMBOL | PARAMETER | CONDITIONS (Note 3) | LT1112ACN8 LT1114ACN | | | LT1112CN8/IN8/S8/IS8 LT1114CN/S/IS | | | UNITS |
|---|--|---|-------------------------|------------|-------------|---------------------------------------|-------------|--------------------------------|-------|
| | | | MIN | TYP | MAX | MIN | TYP | MAX | |
| V_{OS} | Input Offset Voltage | LT1112CN8/IN8 | ● | 30 | 110 | 35 | 135 | μV | |
| | | LT1112S8/IS8, LT1114CN/S/IS | ● | 40 | 135 | 45 | 160 | μV | |
| | | $V_S = \pm 1.2\text{V}$ | ● | 55 | 200 | 60 | 240 | μV | |
| $\frac{\Delta V_{OS}}{\Delta\text{Temp}}$ | Average Input Offset Voltage Drift | LT1112CN8/IN8 | ● | 0.15 | 0.50 | 0.20 | 0.75 | $\mu\text{V}/^{\circ}\text{C}$ | |
| | | LT1112S8/IS8, LT1114CN/S/IS | ● | 0.30 | 1.10 | 0.40 | 1.30 | $\mu\text{V}/^{\circ}\text{C}$ | |
| I_{OS} | Input Offset Current | LT1114S/IS | ● | 70 | 330 | 85 | 400 | pA | |
| | | | ● | | | 110 | 600 | pA | |
| I_B | Input Bias Current | LT1114S/IS | ● | ± 110 | ± 500 | ± 120 | ± 550 | pA | |
| | | | ● | | | ± 150 | ± 800 | pA | |
| V_{CM} | Input Voltage Range | | ● | ± 13.5 | ± 14.1 | ± 13.5 | ± 14.1 | V | |
| CMRR | Common Mode Rejection Ratio | $V_{CM} = \pm 13.5\text{V}$ | ● | 117 | 132 | 112 | 132 | dB | |
| PSRR | Power Supply Rejection Ratio | $V_S = \pm 1.2\text{V}$ to $\pm 20\text{V}$ | ● | 113 | 125 | 111 | 125 | dB | |
| A_{VOL} | Large-Signal Voltage Gain | $V_O = \pm 12\text{V}$, $R_L = 10\text{k}\Omega$ | ● | 700 | 3300 | 600 | 3300 | V/mV | |
| | | $V_O = \pm 10\text{V}$, $R_L = 2\text{k}\Omega$ | ● | 400 | 1100 | 300 | 900 | V/mV | |
| V_{OUT} | Output Voltage Swing | $R_L = 10\text{k}\Omega$ | ● | ± 13.0 | ± 13.85 | ± 13.0 | ± 13.85 | V | |
| SR | Slew Rate | | ● | 0.13 | 0.24 | 0.13 | 0.24 | $\text{V}/\mu\text{s}$ | |
| I_S | Supply Current per Amplifier | | ● | 370 | 450 | 370 | 510 | μA | |
| ΔV_{OS} | Offset Voltage Match (Note 6) | LT1112CN8/IN8 | ● | 50 | 180 | 60 | 225 | μV | |
| | | LT1112S8/IS8, LT1114CN/S/IS | ● | 60 | 230 | 70 | 270 | μV | |
| | Offset Voltage Match Drift (Notes 6) | LT1112CN8/IN8 | ● | 0.2 | 0.7 | 0.3 | 1.0 | $\mu\text{V}/^{\circ}\text{C}$ | |
| | | LT1112S8/IS8, LT1114CN/S/IS | ● | 0.4 | 1.6 | 0.5 | 1.9 | $\mu\text{V}/^{\circ}\text{C}$ | |
| ΔI_B^+ | Noninverting Bias Current Match (Notes 6, 7) | LT1114S/IS | ● | 140 | 660 | 155 | 770 | pA | |
| | | | ● | | | 190 | 1300 | pA | |
| ΔCMRR | Common Mode Rejection Ratio | (Notes 6, 8) | ● | 113 | 133 | 109 | 133 | dB | |
| ΔPSRR | Power Supply Rejection Ratio | (Notes 6, 8) | ● | 110 | 127 | 107 | 127 | dB | |

Note 1: Stresses beyond those listed under Absolute Maximum Ratings may cause permanent damage to the device. Exposure to any Absolute Maximum Rating condition for extended periods may affect device reliability and lifetime.

Note 2: Differential input voltages greater than 1V will cause excessive current to flow through the input protection diodes unless limiting resistance is used.

Note 3: Typical parameters are defined as the 60% yield of parameter distributions of individual amplifiers; i.e., out of 100 LT1114s (or 100 LT1112s) typically 240 op amps (or 120) will be better than the indicated specification.

Note 4: This parameter is guaranteed by design and is not tested.

ELECTRICAL CHARACTERISTICS

Note 5: Offset voltage, supply current and power supply rejection ratio are measured at the minimum supply voltage.

Note 6: Matching parameters are the difference between amplifiers A and D and between B and C on the LT1114; between the two amplifiers on the LT1112.

Note 7: This parameter is the difference between two noninverting input bias currents.

Note 8: ΔCMRR and ΔPSRR are defined as follows: (1) CMRR and PSRR are measured in $\mu\text{V}/\text{V}$ on the individual amplifiers. (2) The difference is calculated between the matching sides in $\mu\text{V}/\text{V}$. (3) The result is converted to dB.

Note 9: This parameter is not 100% tested.

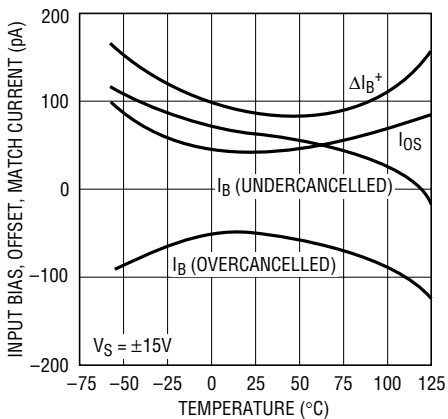
Note 10: These parameters are not tested. More than 99% of the op amps tested during product characterization have passed the maximum limits. 100% passed at 1kHz.

Note 11: The LT1112AC/LT1112C/LT1112S8/LT1112I and LT1114AC/LT1114C/LT1114S/LT1114I are guaranteed functional over the temperature range of -40°C to 85°C .

Note 12: The LT1112AC/LT1112C/LT1112S8/LT1114AC/LT1114C/LT1114S are guaranteed to meet specified performance from 0°C to 70°C and are designed, characterized and expected to meet specified performance from -40°C to 85°C , but are not tested or QA sampled at these temperatures. The LT1112I/LT1114I are guaranteed to meet specified performance from -40°C to 85°C .

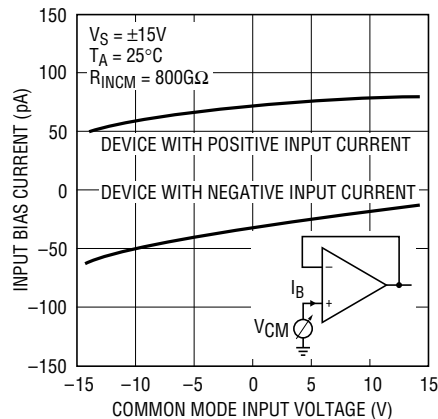
TYPICAL PERFORMANCE CHARACTERISTICS

Input Bias and Offset Current, Noninverting Bias Current Match vs Temperature



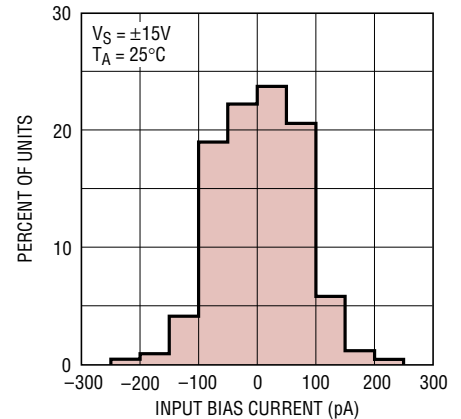
LT1112/14 • TPC01

Input Bias Current Over Common Mode Range



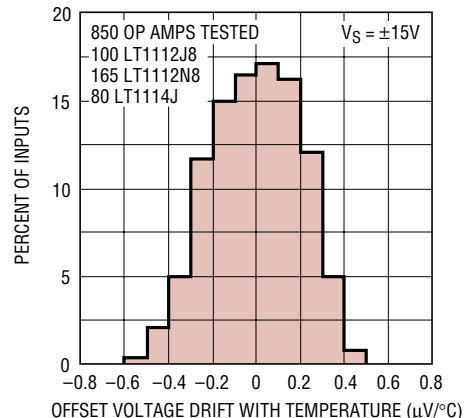
LT1112/14 • TPC02

Distribution of Input Bias Current (In All Packages Except LT1114S)



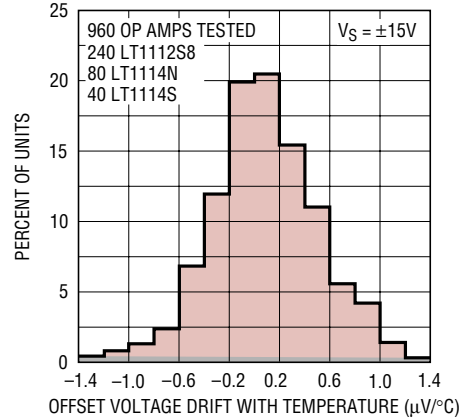
LT1112/14 • TPC03

Drift with Temperature LT1112N8/J8, LT1114J



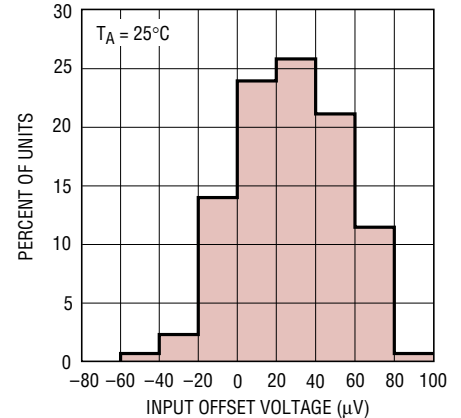
LT1112/14 • TPC04

Drift with Temperature LT1112S8, LT1114N/S



LT1112/14 • TPC05

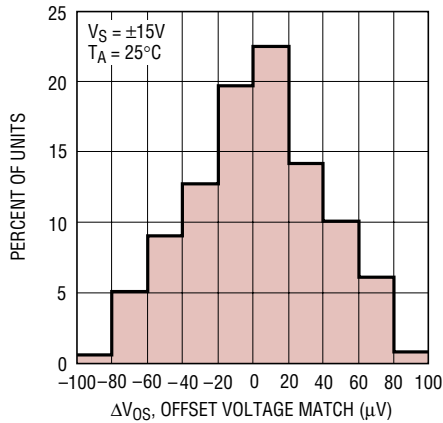
Distribution of Offset Voltage at V_S = ±1.0V (In All Packages)



LT1112/14 • TPC06

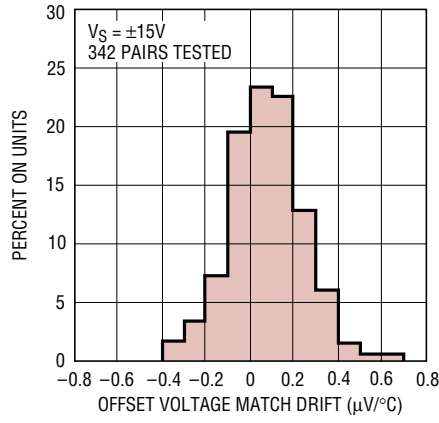
TYPICAL PERFORMANCE CHARACTERISTICS

Distribution of Offset Voltage Match



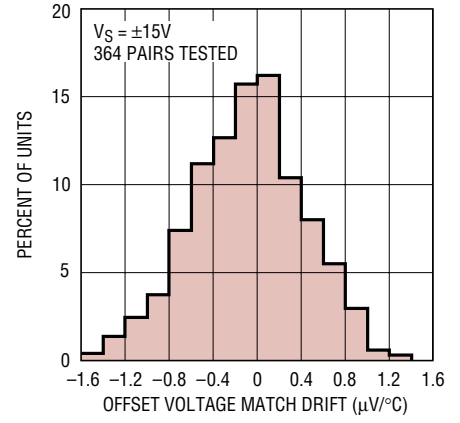
LT1112/14 • TPC07

Distribution of Offset Voltage Match Drift (LT1112J8, LT1112N8, LT1114J Packages)



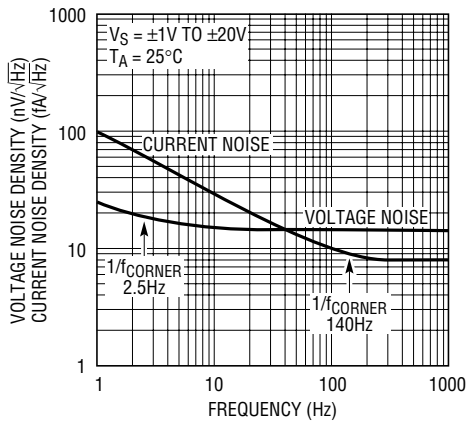
LT1112/14 • TPC08

Distribution of Offset Voltage Match Drift (LT1112S8, LT1114N, LT1114S Packages)



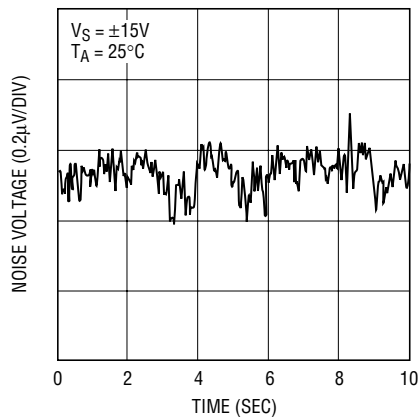
LT1112/14 • TPC09

Noise Spectrum



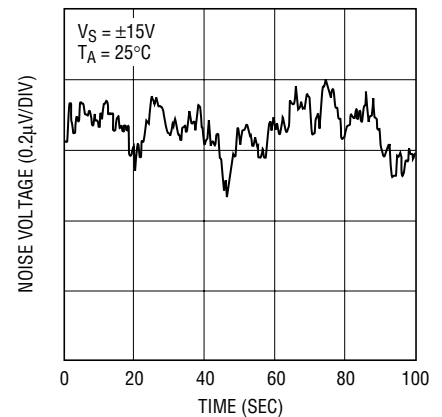
LT1112/14 • TPC10

0.1Hz to 10Hz Noise



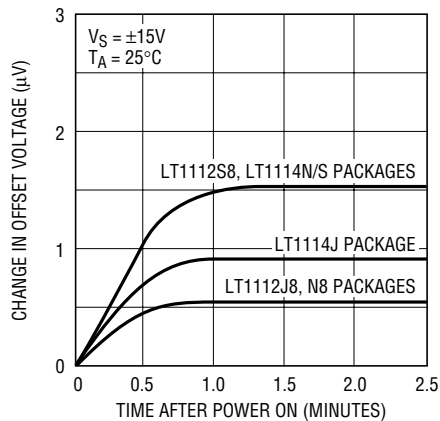
LT1112/14 • TPC11

0.01Hz to 1Hz Noise



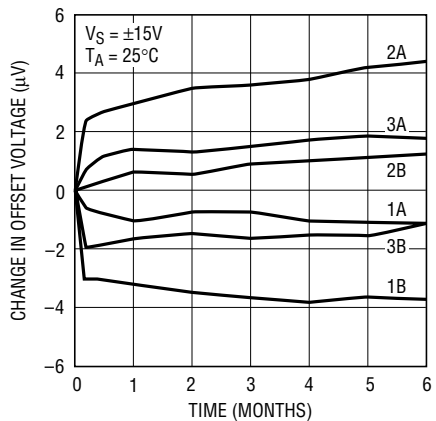
LT1112/14 • TPC12

Warm-Up Drift



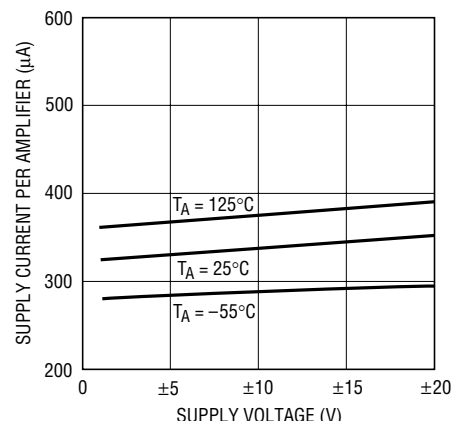
LT1112/14 • TPC13

Long Term Stability of Three Representative Units



LT1112/14 • TPC14

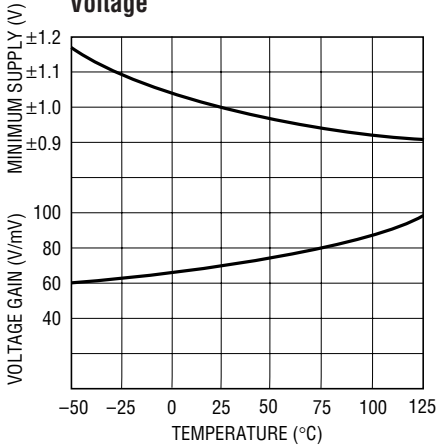
Supply Current per Amplifier vs Supply Voltage



LT1112/14 • TPC15

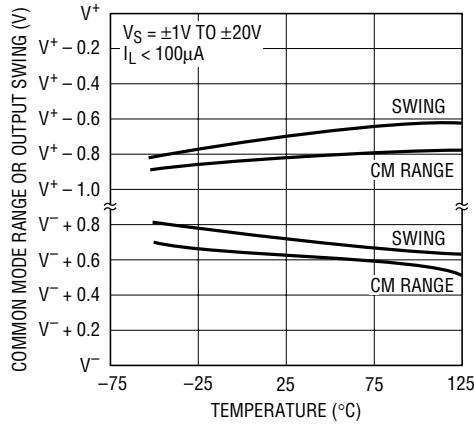
TYPICAL PERFORMANCE CHARACTERISTICS

**Minimum Supply Voltage vs Temp
Voltage Gain at Minimum Supply Voltage**



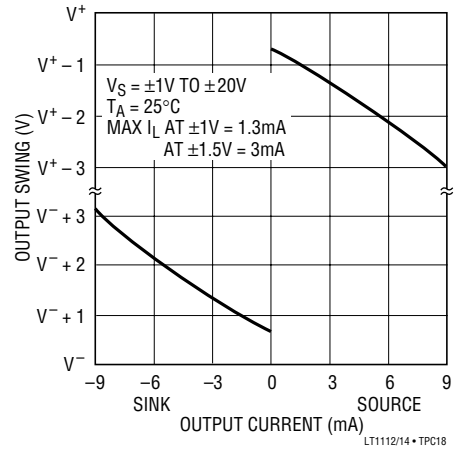
LT1112/14 • TPC16

**Common Mode Range and
Voltage Swing with Respect to
Supply Voltages**



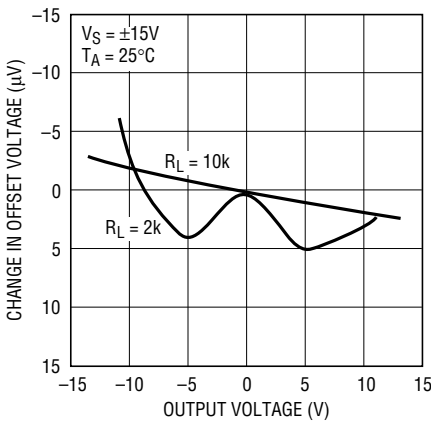
LT1112/14 • TPC17

**Output Voltage Swing
vs Load Current**



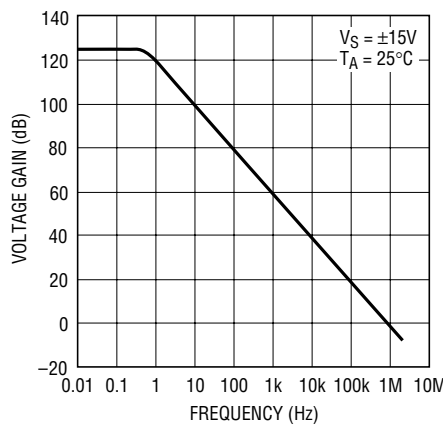
LT1112/14 • TPC18

Voltage Gain



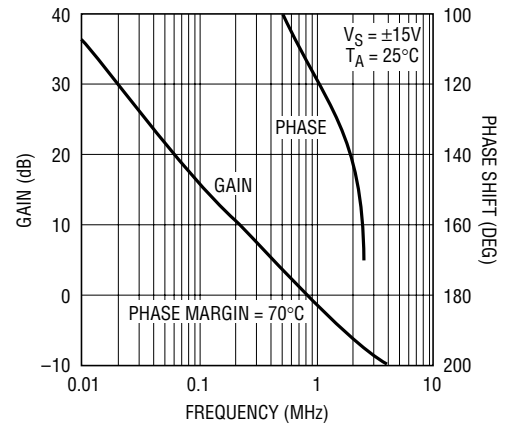
LT1112/14 • TPC19

Voltage Gain vs Frequency



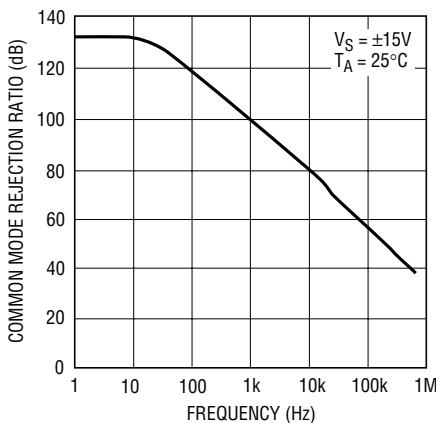
LT1112/14 • TPC20

Gain, Phase Shift vs Frequency



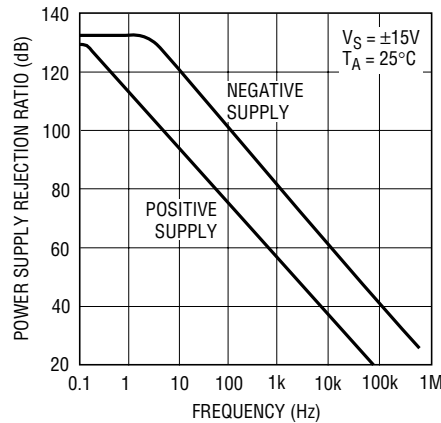
LT1112/14 • TPC21

**Common Mode Rejection
vs Frequency**



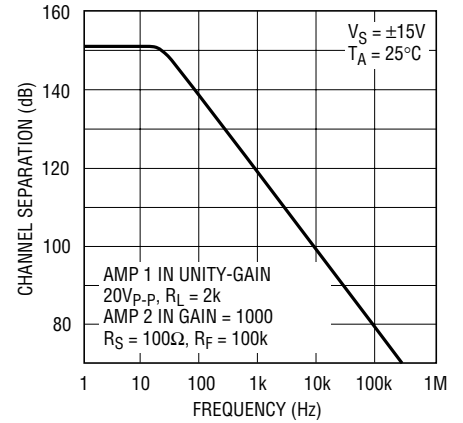
LT1112/14 • TPC22

**Power Supply Rejection
vs Frequency**



LT1112/14 • TPC23

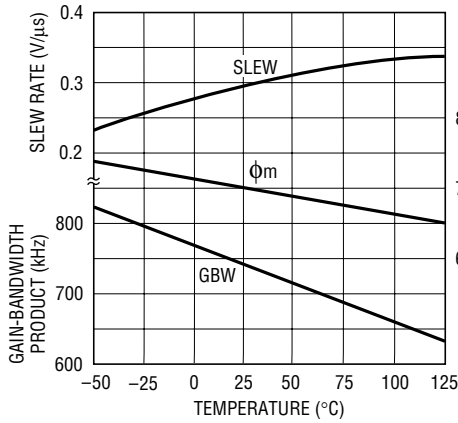
Channel Separation vs Frequency



LT1112/14 • TPC24

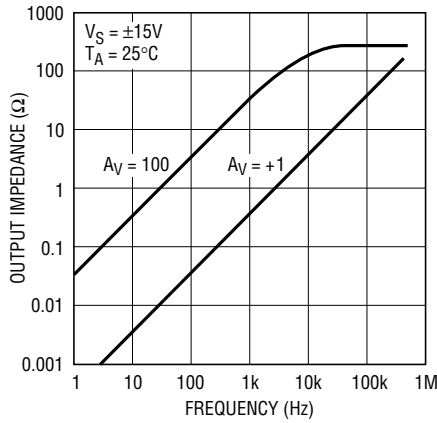
TYPICAL PERFORMANCE CHARACTERISTICS

Slew Rate, Gain-Bandwidth Product and Phase Margin vs Temperature



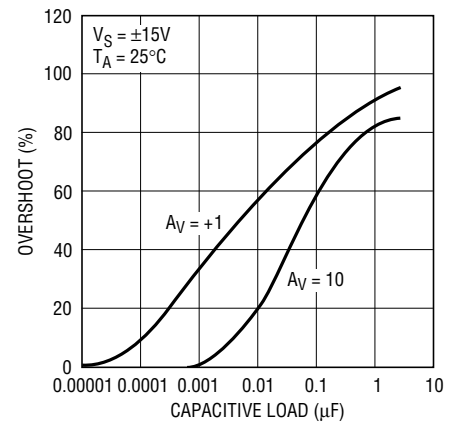
LT1112/14 • TPC25

Closed-Loop Output Impedance



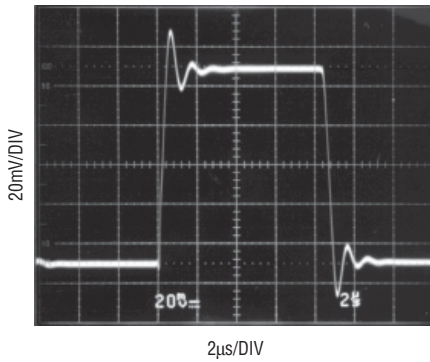
LT1112/14 • TPC26

Capacitive Loading Handling



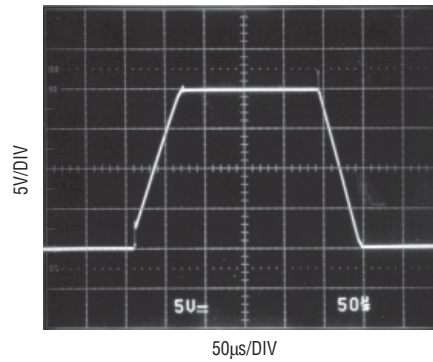
LT1112/14 • TPC27

Small-Signal Transient Response



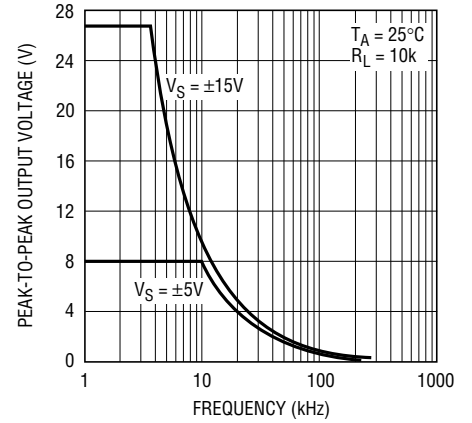
$A_V = +1$
 $C_L = 500\text{pF}$
 $V_S = \pm 15\text{V}$

Large-Signal Transient Response



$A_V = +1$
 $R_F = 10\text{k}$
 $C_F = 100\text{pF}$
 $V_S = \pm 15\text{V}$

Undistorted Output Voltage vs Frequency



LT1112/14 • TPC30

APPLICATIONS INFORMATION

The LT1112 dual and LT1114 quad in the plastic and ceramic DIP packages are pin compatible to and directly replace such precision op amps as the OP-200, OP-297, AD706 duals and OP-400, OP-497, AD704 quads with improved price/performance.

The LT1112 in the S8 surface mount package has the standard pin configuration, i.e., the same configuration as the plastic and ceramic DIP packages.

The LT1114 quad is offered in the narrow 16-pin surface mount package. All competitors are in the wide 16-pin package which occupies 1.8 times the area of the narrow package. The wide package is also 1.8 times thicker than the narrow package.

The inputs of the LT1112/1114 are protected with back-to-back diodes. In the voltage follower configuration, when the input is driven by a fast large-signal pulse (>1V), the input protection diodes effectively short the output to the input during slewing, and a current, limited only by the output short-circuit protection, will flow through the diodes.

The use of a feedback resistor is recommended because this resistor keeps the current below the short-circuit limit, resulting in faster recovery and settling of the output.

The input voltage of the LT1112/1114 should never exceed the supply voltages by more than a diode drop. However, the example below shows that as the input voltage exceeds the common mode range, the LT1112's

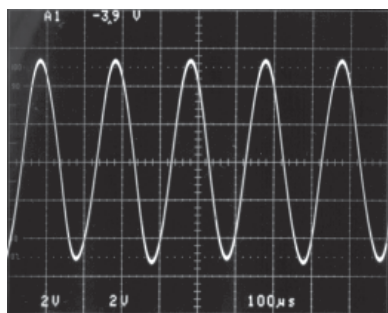
output clips cleanly, without any glitches or phase reversal. The OP-297 exhibits phase reversal. The photos also illustrate that both the input and output ranges of the LT1112 are within 800mV of the supplies. The effect of input and output overdrive on the other amplifiers in the LT1112 or LT1114 packages is negligible, as each amplifier is biased independently.

Advantages of Matched Dual and Quad Op Amps

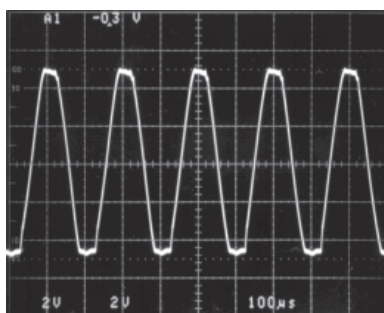
In many applications the performance of a system depends on the matching between two operational amplifiers rather than the individual characteristics of the two op amps. Two or three op amp instrumentation amplifiers, tracking voltage references and low drift active filters are some of the circuits requiring matching between two op amps.

The well-known triple op amp configuration illustrates these concepts. Output offset is a function of the difference between the offsets of the two halves of the LT1112. This error cancellation principle holds for a considerable number of input referred parameters in addition to offset voltage and its drift with temperature. Input bias current will be the average of the two noninverting input currents (I_B^+). The difference between these two currents (ΔI_B^+) is the offset current of the instrumentation amplifier. Common mode and power supply rejections will be dependent only on the match between the two amplifiers (assuming perfect resistor matching).

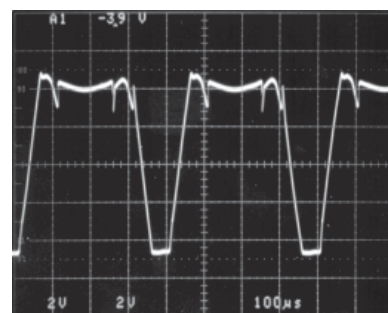
Voltage Follower with Input Exceeding the Common Mode Range ($V_S = \pm 5V$)



INPUT: $\pm 5.2V$ Sine Wave



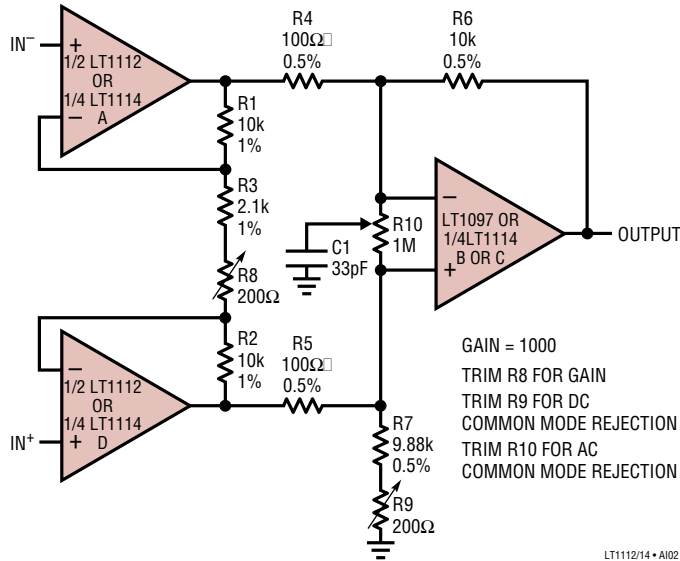
LT1112 Output



OP-297 Output

APPLICATIONS INFORMATION

Three Op Amp Instrumentation Amplifier



The concepts of common mode and power supply rejection ratio match (ΔCMRR and ΔPSRR) are best demonstrated with a numerical example:

Assume $\text{CMRR}_A = +1\mu\text{V}/\text{V}$ or 120dB,
 and $\text{CMRR}_B = +0.75\mu\text{V}/\text{V}$ or 122.5dB,
 then $\Delta\text{CMRR} = 0.25\mu\text{V}/\text{V}$ or 132dB;
 if $\text{CMRR}_B = -0.75\mu\text{V}/\text{V}$ which is still 122.5dB,
 then $\Delta\text{CMRR} = 1.75\mu\text{V}/\text{V}$ or 115dB.

Clearly the LT1112/LT1114, by specifying and guaranteeing all of these matching parameters, can significantly improve the performance of matching-dependent circuits.

Typical performance of the instrumentation amplifier:

Input offset voltage = $35\mu\text{V}$
 Offset voltage drift = $0.3\mu\text{V}/^\circ\text{C}$
 Input bias current = 80pA
 Input offset current = 100pA
 Input resistance = $800\text{G}\Omega$
 Input noise = $0.42\mu\text{V}_{\text{P-P}}$

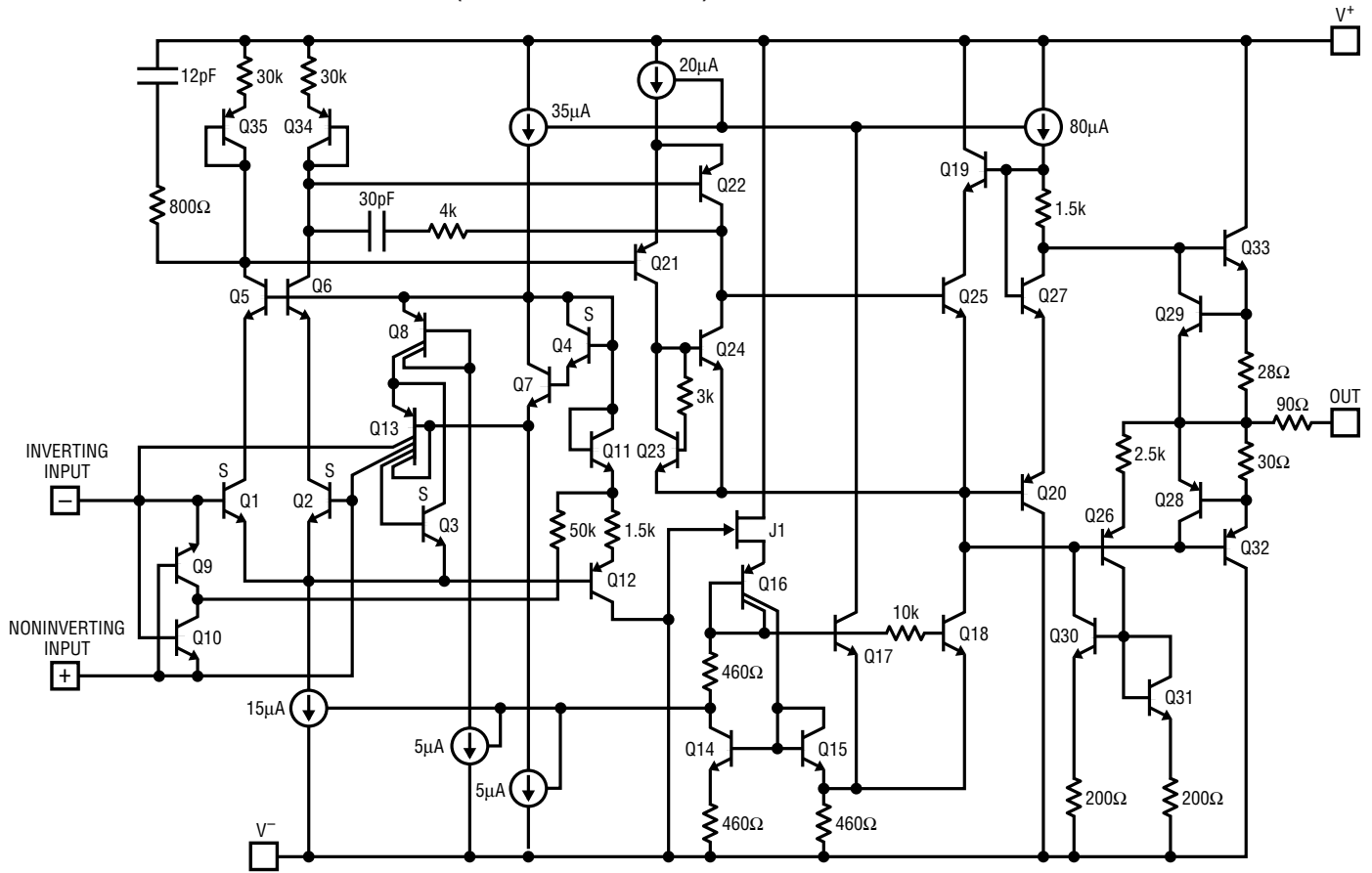
When the instrumentation amplifier is used with high impedance sources, the LT1114 is recommended because its CMRR vs frequency performance is better than the LT1112's. For example, with two matched $1\text{M}\Omega$ source resistors, CMRR at 100Hz is 100dB with the LT1114, 76dB with the LT1112.

This difference is explained by the fact that capacitance between adjacent pins on an IC package is about 0.25pF (including package, socket and PC board trace capacitances).

On the dual op amp package, positive input A is next to the V^- pin (AC ground), while positive input B has no AC ground pin adjacent to it, resulting in a 0.25pF input capacitance mismatch. At 100Hz, 0.25pF represents a $6.4 \cdot 10^9$ input impedance mismatch, which is only 76dB higher than the $1\text{M}\Omega$ source resistors.

On the quad package, all four inputs are adjacent to a power supply terminal—therefore, there is no mismatch.

SCHEMATIC DIAGRAM (1/2 LT1112, 1/4 LT1114)

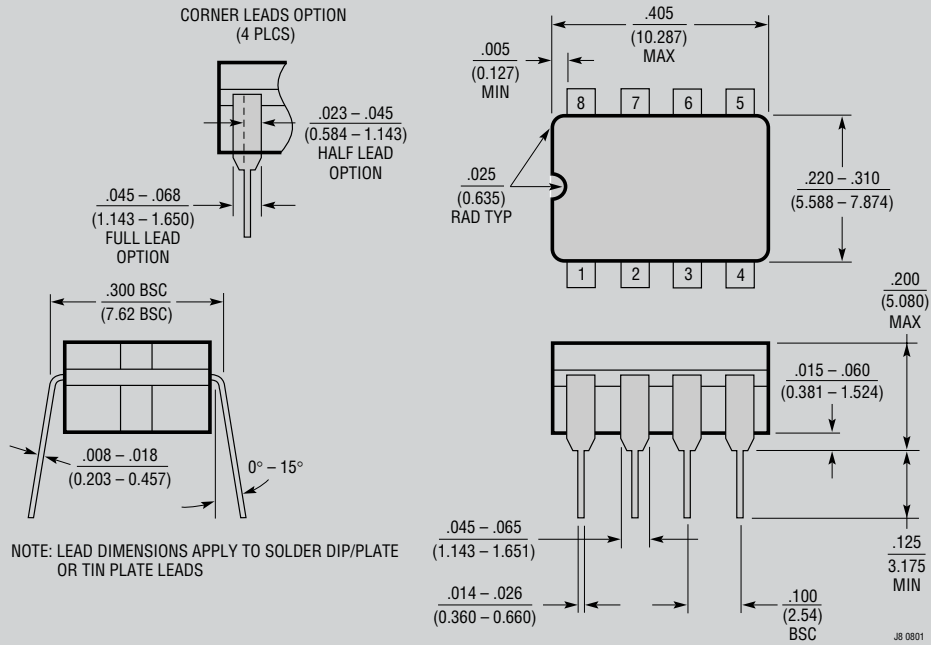


Q1 TO Q4 ARE SUPERGAIN TRANSISTORS

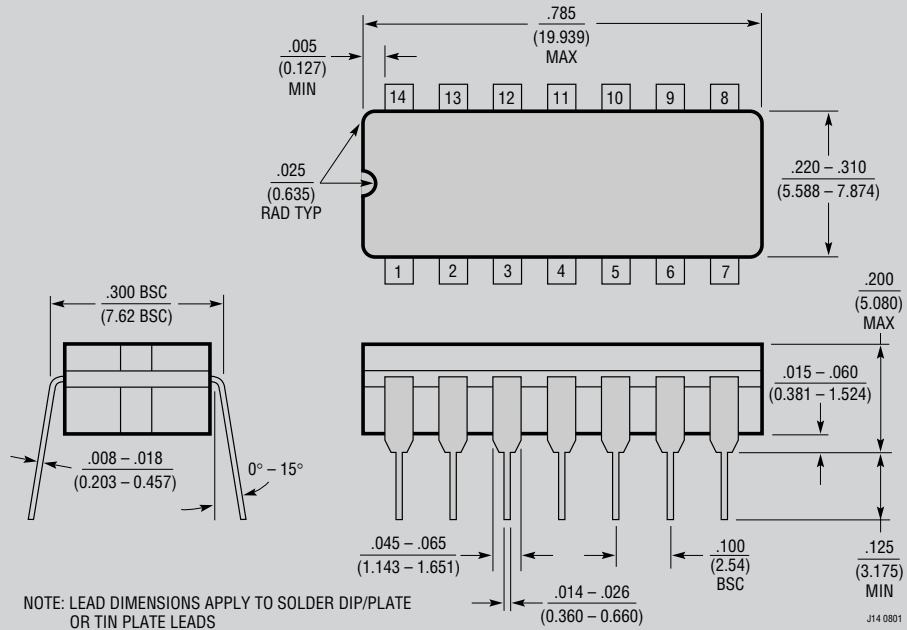
LT1112/14 • SD01

PACKAGE DESCRIPTION

J8 Package
8-Lead CERDIP (Narrow .300 Inch, Hermetic)
 (Reference LTC DWG # 05-08-1110)



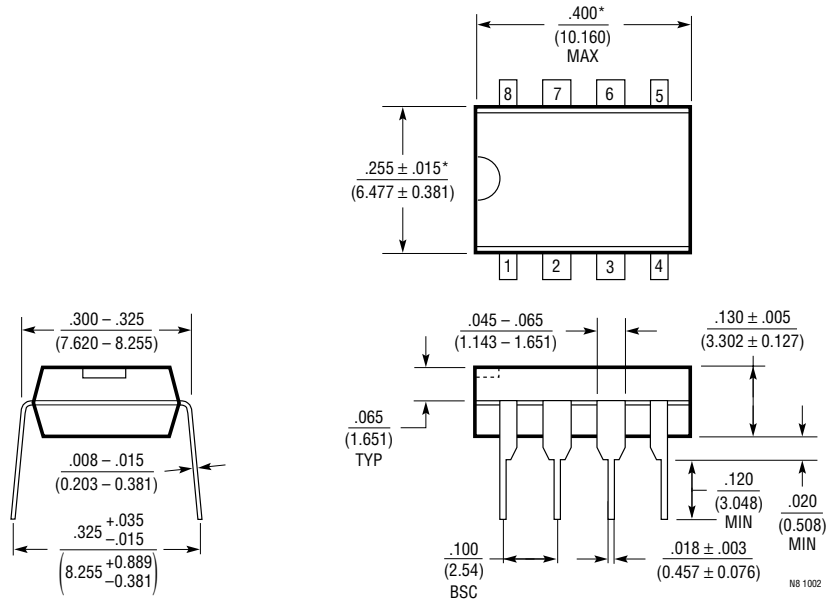
J Package
14-Lead CERDIP (Narrow .300 Inch, Hermetic)
 (Reference LTC DWG # 05-08-1110)



OBSOLETE PACKAGES

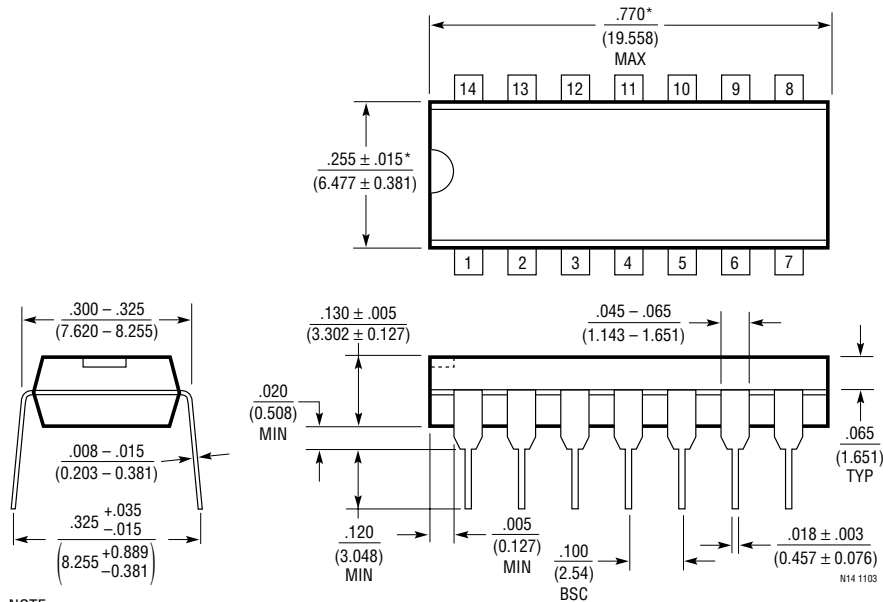
PACKAGE DESCRIPTION

N8 Package
8-Lead PDIP (Narrow .300 Inch)
 (Reference LTC DWG # 05-08-1510)



NOTE:
 1. DIMENSIONS ARE $\frac{\text{INCHES}}{\text{MILLIMETERS}}$
 *THESE DIMENSIONS DO NOT INCLUDE MOLD FLASH OR PROTRUSIONS.
 MOLD FLASH OR PROTRUSIONS SHALL NOT EXCEED .010 INCH (0.254mm)

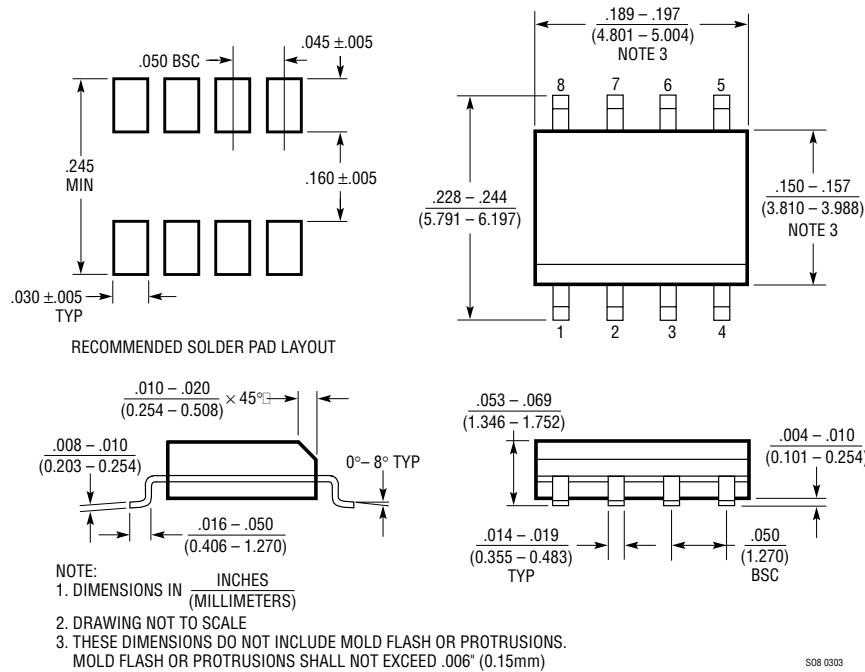
N Package
14-Lead PDIP (Narrow .300 Inch)
 (Reference LTC DWG # 05-08-1510)



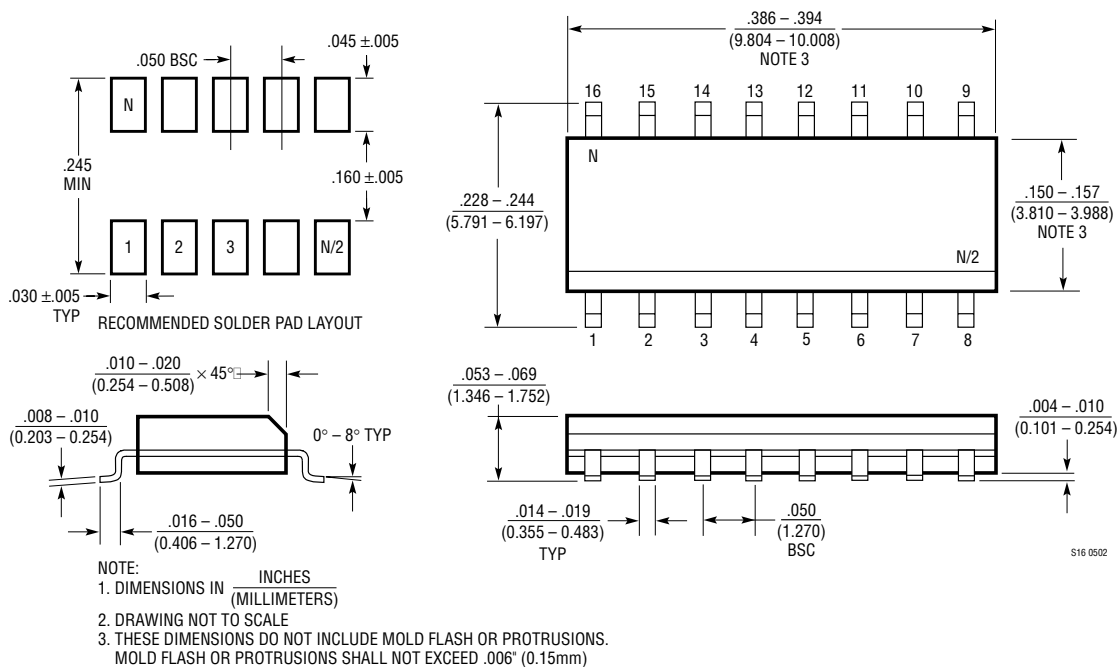
NOTE:
 1. DIMENSIONS ARE $\frac{\text{INCHES}}{\text{MILLIMETERS}}$
 *THESE DIMENSIONS DO NOT INCLUDE MOLD FLASH OR PROTRUSIONS.
 MOLD FLASH OR PROTRUSIONS SHALL NOT EXCEED .010 INCH (0.254mm)

PACKAGE DESCRIPTION

S8 Package 8-Lead Plastic Small Outline (Narrow .150 Inch) (Reference LTC DWG # 05-08-1610)

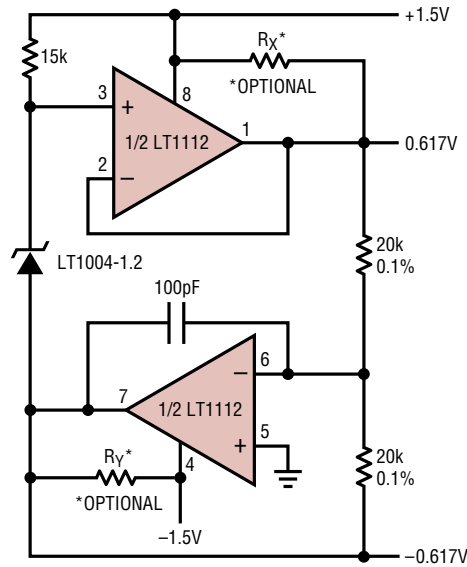


S Package 16-Lead Plastic Small Outline (Narrow .150 Inch) (Reference LTC DWG # 05-08-1610)



TYPICAL APPLICATION

Dual Buffered $\pm 0.617V$ Reference Powered by Two AA Batteries



TOTAL SUPPLY CURRENT = $700\mu A$
 WORKS WITH BATTERIES DISCHARGED TO $\pm 1.3V$
 AT $\pm 1.5V$: MAXIMUM LOAD CURRENT = $800\mu A$;
 CAN BE INCREASED WITH OPTIONAL R_X, R_Y ;
 AT $R_X = R_Y = 750\Omega$ LOAD CURRENT = $2mA$
 TEMPERATURE COEFFICIENT LIMITED BY REFERENCE = $20ppm/^{\circ}C$

LT1112/14 • TA03

RELATED PARTS

| PART NUMBER | DESCRIPTION | COMMENTS |
|---------------|---|---|
| LT1880 | Rail-to-Rail Output, Picoamp Input Precision Op Amp | SOT-23 |
| LT1881/LT1882 | Dual/Quad Rail-to-Rail Output, Picoamp Input Precision Op Amp | C_{LOAD} Up to $1000pF$ |
| LT1884/LT1885 | Dual/Quad Rail-to-Rail Output, Picoamp Input Precision Op Amp | $9.5nV/\sqrt{Hz}$ Input Noise |
| LT6011/LT6012 | Dual/Quad Rail-to-Rail Output, Picoamp Input Precision Op Amp | $135\mu A$ Supply Current, $14nV/\sqrt{Hz}$ |