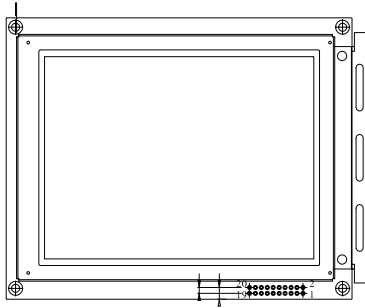


320 x 24 Dots Graphic LCD



FEATURES

- Built-in SED 1335 controller and SRAM
- Built-in negative voltage generator
- 1/240 duty cycle
- Touch screen option (analog type)
- Temperature compensation option

MECHANICAL DATA		
ITEM	STANDARD VALUE	UNIT
Module Dimension	148.0 x 120.24	mm
Viewing Area	120.14 x 92.14	mm
Dot Size	0.34 x 0.34	mm
Dot Pitch	0.36 x 0.36	mm

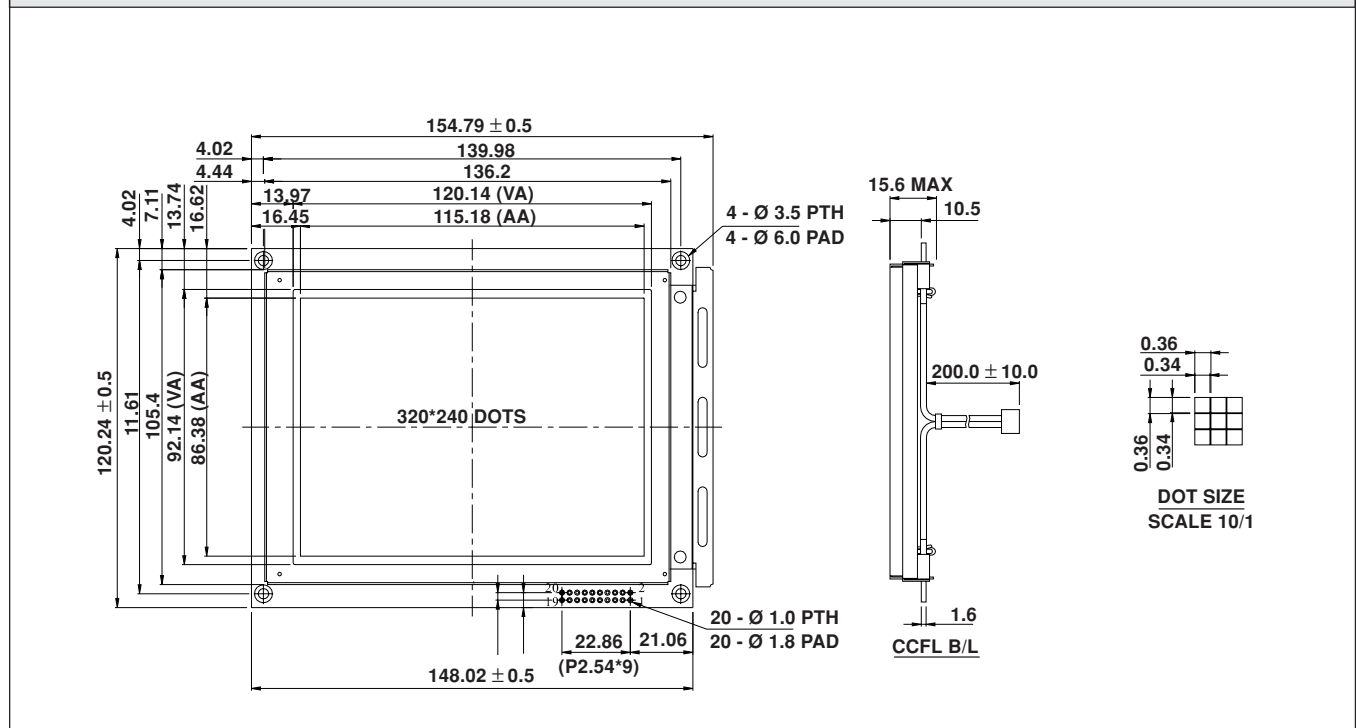
ABSOLUTE MAXIMUM RATING					
ITEM	SYMBOL	STANDARD VALUE			UNIT
		MIN.	TYP.	MAX.	
Power Supply	VDD-VSS	4.75	5.0	5.25	V
Input Voltage	VI	- 0.3	-	VDD	V

NOTE: VSS = 0 Volt, VDD = 5.0 Volt

ELECTRICAL SPECIFICATIONS						
ITEM	SYMBOL	CONDITION	STANDARD VALUE			UNIT
			MIN.	TYP.	MAX.	
Input Voltage	VDD	L level	$0.7V_{DD}$	-	V_{DD}	V
	VIO	H level	0	-	$0.3V_{DD}$	V
Supply Current	IDD	VDD = 5V	-	100	105	mA
Recommended LC Driving Voltage for Normal Temp. Version Module	VDD - V0	0°C	22.0	23.0	24.0	V
		25°C	21.3	22.2	23.0	
		50°C	19.5	20.8	22.1	
CCFL Starting Voltage	VFLS	25°C	-	600	-	Vrms
CCFL Driving Voltage	VFLD	25°C	-	268	-	Vrms
CCFL Driving Current	IFLD	VFQ = 450Vrms 30KHz	-	5.0	-	mArms
LED Forward Voltage	VF	25°C	-	4.2	4.6	V
LED Forward Current	IF	25°C	-	180	360	mA
EL	IEL	Vel = 110VAC; 400Hz	-	-	5.0	mA

PIN NUMBER	SYMBOL	FUNCTION
1	Vss	Ground
2	Vdd	Power Supply for Logic
3	Vo	Driving Voltage for LCD
4	\overline{RD}	8080 Family: Read Signal, 6800 Family: Enable Clock
5	\overline{WR}	8080 Family: Write Signal, 6800 Family: R/W Signal
6	Ao	Data Select Type RD = L WR = H, A0 = L: Data Read AO = H: Status Read RD = H WR = L, A0 = L: Data Read AO = H: Command Write For 80 Family R/W = L A0 = H: Command Write AO = L: Data Write R/W = H A0 = H: Status Read AO = L: Data Read For 68 Family
7	DB0	Data Bus Line
8	DB1	Data Bus Line
9	DB2	Data Bus Line
10	DB3	Data Bus Line
11	$\overline{DB4}$	Data Bus Line
12	$\overline{DB5}$	Data Bus Line
13	DB6	Data Bus Line
14	DB7	Data Bus Line
15	CS	Chip Select, Active L
16	RES	Controller Rest Signal Active L
17	Vee	Negative Voltage Output (Optional)
18	FGND	Frame Ground
19	NC	No Connection
20	NC	No Connection

DIMENSIONS in millimeters





Disclaimer

All product specifications and data are subject to change without notice.

Vishay Intertechnology, Inc., its affiliates, agents, and employees, and all persons acting on its or their behalf (collectively, "Vishay"), disclaim any and all liability for any errors, inaccuracies or incompleteness contained herein or in any other disclosure relating to any product.

Vishay disclaims any and all liability arising out of the use or application of any product described herein or of any information provided herein to the maximum extent permitted by law. The product specifications do not expand or otherwise modify Vishay's terms and conditions of purchase, including but not limited to the warranty expressed therein, which apply to these products.

No license, express or implied, by estoppel or otherwise, to any intellectual property rights is granted by this document or by any conduct of Vishay.

The products shown herein are not designed for use in medical, life-saving, or life-sustaining applications unless otherwise expressly indicated. Customers using or selling Vishay products not expressly indicated for use in such applications do so entirely at their own risk and agree to fully indemnify Vishay for any damages arising or resulting from such use or sale. Please contact authorized Vishay personnel to obtain written terms and conditions regarding products designed for such applications.

Product names and markings noted herein may be trademarks of their respective owners.