



# GPS ANTENNA

The content of this specification may change without notification 5/01/09

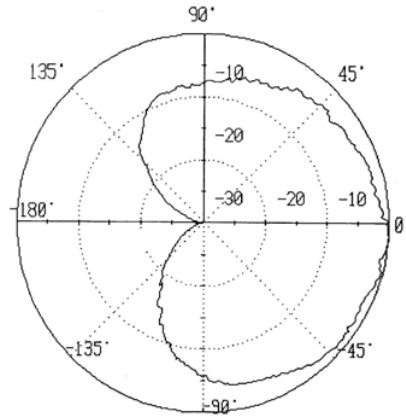


## GPS/GNSS Aviation Antenna

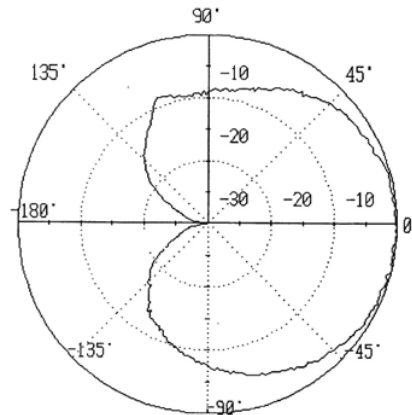
P/N: JXTXGPS-GN-AV



### Patterns



F=1.575GHz



F=1.602GHz

### Technical Specifications

Frequency	GPS L1	1575.42MHz ± 5MHz
	GNSS L1	1602.00MHz ± 8MHz
Pattern	Azimuth: Omni Directional	
	Elevation: Hemispherical	
LNA Gain	GPS L1	25±2dB/45±2dB(customized gain available)
	GNSS L1	35±2dB/45±2dB(customized gain available)
Polarization	Right-hand circular	
Axial Ratio	≤4dB	
Noise Figure	≤2.0dB	
Output Impedance	50Ω	
VSWR	≤1.5:1	
Power Supply	Voltage:3-5V DC	
	Current: ≤20mA	
Connector Type	TNC (customized connector type available)	
Size	120mm×78mm×36mm	
Weight	≈200g	
Operating Temperature	-40°C ~ +85°C	
Storage Temperature	-55°C ~ +85°C	
Fixing	Screw	

Custom Designs Available. For current data sheets, please contact: [sales@aacix.com](mailto:sales@aacix.com)