

HF9616

1 CUBIC INCH 3 FORM C HERMETICALLY SEALED LATCHING RELAY



Features

- Force balanced latching relay
- 25A contacts switching capability
- Failure rate can be L level
- High ambient applicability
- All metal welded construction
- Hermetically welded and marked by laser

Conform to GJB2888-97 (Equivalent to MIL-PRF-83536)

AMBIENT ADAPTABILITY

Ambient grade		I	II
Ambient temperature		-55 °C to 85 °C	-65 °C to 125 °C
Humidity			98%, 40 °C
Low air pressure		58.53 kPa	4.4 kPa
Sine vibration	Frequency	10 Hz to 2000 Hz	10 Hz to 3000 Hz
	Acceleration	196 m/s ²	294 m/s ²
Shock resistance		980 m/s ²	1960 m/s ²
Random vibration		20 (m/s ²) ² /Hz	40 (m/s ²) ² /Hz
Steady-state acceleration		147m/s ²	490m/s ²

CONTACT DATA

Ambient grade		I	II
Arrangement			3 C
Contact resistance or voltage drop	Initial max.		0.01Ω
	After life max.		0.125V
Failure level			Level L

Contact and life ratings

Type	Contact load		Electrical life min.
	28Vd.c.	115/200Va.c. 400Hz Three phase	
Resistive	25 A	25 A	5 x 10 ⁴ OPS
Inductive	12 A		1 x 10 ⁴ OPS
Inductive		15 A	2 x 10 ⁴ OPS
Motor	10 A		5 x 10 ⁴ OPS
Lamp load	5 A		5 x 10 ⁴ OPS



HONGFA HERMETICALLY SEALED RELAY

SPECIFICATION

Ambient grade		I	II
Insulation resistance min.	Initial	100 MΩ (@ 500 Vd.c.)	100 MΩ (@ 500 Vd.c.)
	After life or after testing	50 MΩ (@ 500 Vd.c.)	50 MΩ (@ 500 Vd.c.)
Dielectric strength min. (Normal condition)	Between coil & cover(initial)	1000 Vr.m.s.	1000 Vr.m.s.
	Between other insulation parts (initial)	1250 Vr.m.s.	1250 Vr.m.s.
	Between other insulation parts (after life)	1000 Vr.m.s.	1000 Vr.m.s.
Dielectric strength min. (Low air pressure condition)		250 Vr.m.s.	250 Vr.m.s.
Leakage rate max.		1 Pa·cm ³ /s	1 x 10 ⁻³ Pa·cm ³ /s
Operate time max.			15 ms
Coil pulse width min.			45ms
Mounting style			See the mounting dimension
Terminals			See the terminal styles
Work position			Random
Weight max.			85g

COIL DATA

Norminal coil power	Approx.2W
---------------------	-----------

Coil Version

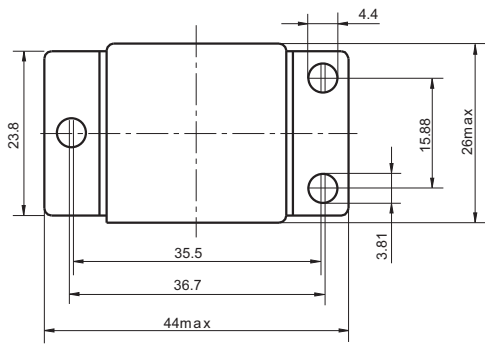
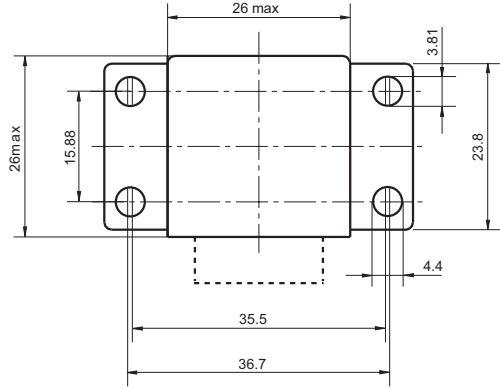
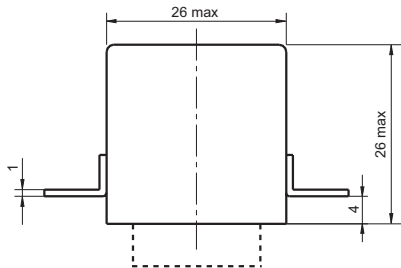
Order Number	Coil voltage		at 25 °C		-65°C to 125°C	Pick-up voltage max.	
	Nominal voltage	Value max.	Coil resistance (Ω) min.	Pick-up voltage max.	Pick-up voltage max.	High temp. test	Continuous electric test
006	6	7.3	25	3.5	4.5	5	5.7
012	12	14.5	100	6.5	9.0	9.9	11.25
028	28	29.0	405	15.5	20.0	21.0	25.0

Notes: We can offer many kinds of of coil voltage under the requirement of users.

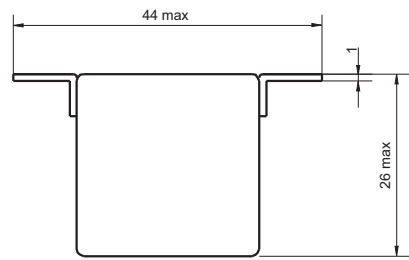
ORDERING INFORMATION

Type	HF9616	-028	L	-2	2	- II
Order Number	006、012、028					
Failure Rate	L (level II products available)					
Mounting Style	2, 3 (See the mounting dimension)					
Terminals Style	2, 4 (See " Terminal styles " below)					
Ambient Grade	I : level I Nil: level II (With failure rate requirement)					

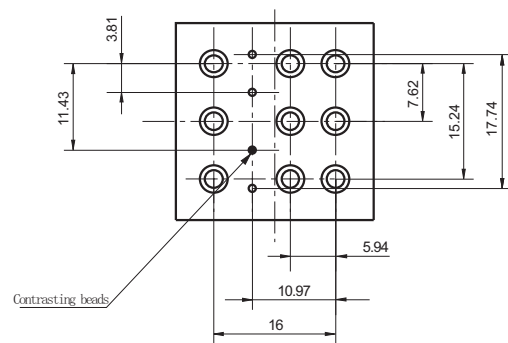
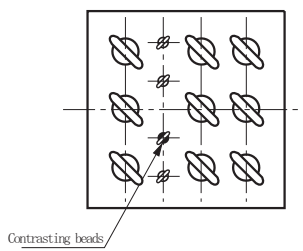
Outline Dimension



Mouting style 2

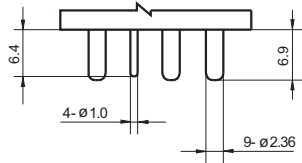


Mouting style 3

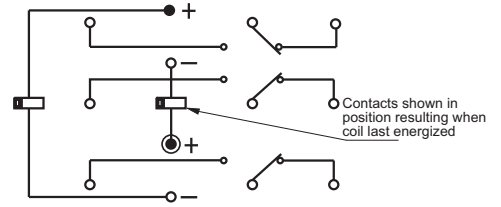


OUTLINE DIMENSIONS AND WIRING DIAGRAM

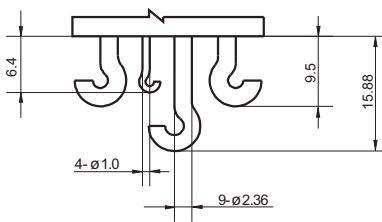
Unit:mm



Terminal style 2
(Solder pin)



Wiring Diagram
(Bottom View)



Terminal style 4
(Solder hook)

Disclaimer

This datasheet is for the customers' reference. All the specifications are subject to change without notice.

© Xiamen Hongfa Electroacoustic Co., Ltd. All rights of Hongfa are reserved.