
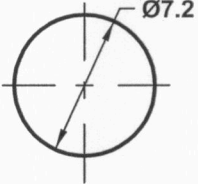

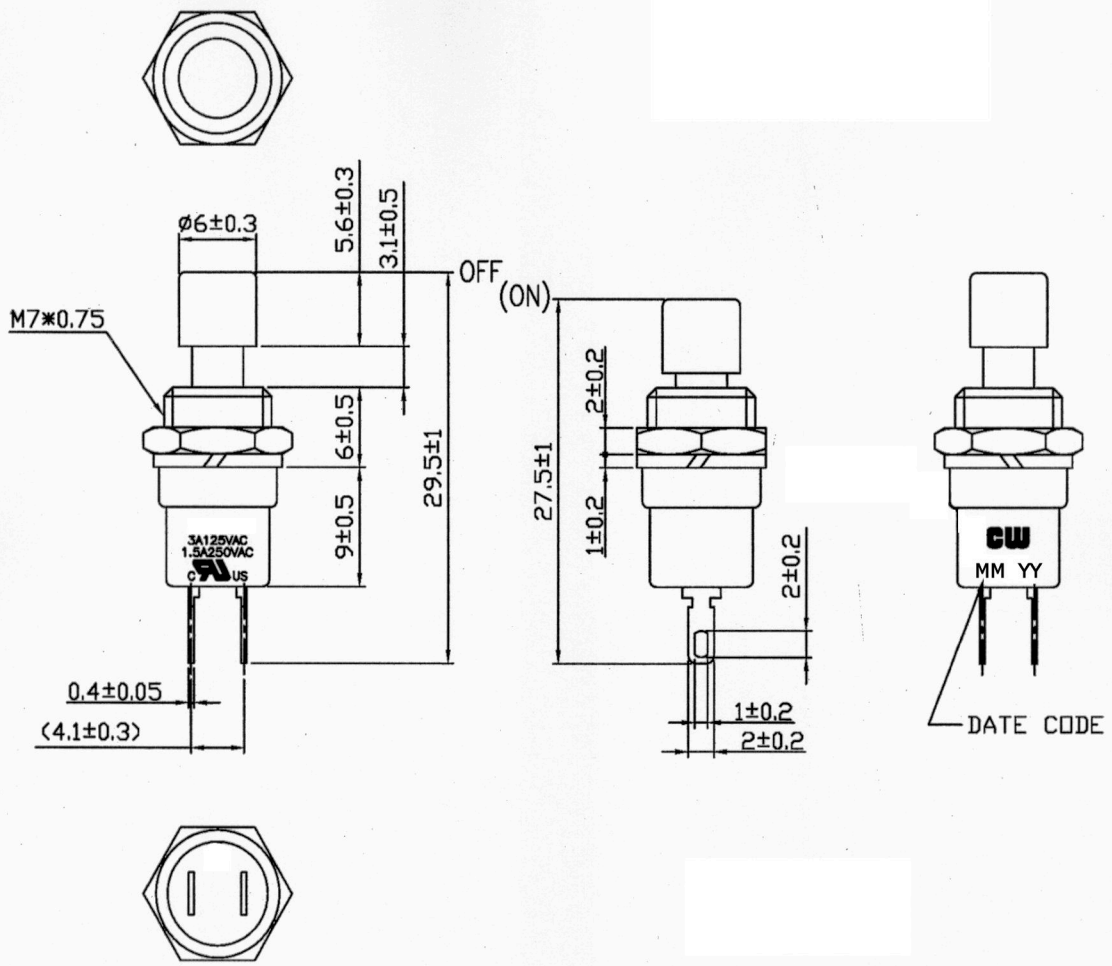


THIS INFORMATION IS CONFIDENTIAL AND PROPRIETARY TO CW INDUSTRIES INCORPORATED AND ITS AFFILIATES. IT MAY NOT BE DISCLOSED TO ANYONE, OTHER THAN CW INDUSTRIES PERSONNEL, WITHOUT WRITTEN AUTHORIZATION FROM CW INDUSTRIES INCORPORATED, SOUTHAMPTON, PENNSYLVANIA USA.


Rating	3A. 125VAC, 1.5A. 250VAC		Mounting Hole	Circuit Diagram
Contact Resistance	50m ohm max.			 SPST OFF - (ON) () = Momentary
Insulation Resistance	DC 500V 100M ohm min.			
Dielectric Strength	AC 1000V 1 minute			

BASE COLOR: Black
 BUTTON COLOR: Red

Cut-Out 4mm thk. max.



RoHS Compliant

 CW INDUSTRIES Southampton, Pa. 18966 Tel 215.355.7080/www.cwind.com	Date Drawn: 12/25/09	Rev. 0	Unit: mm	Checked By: G. Guld
	Title: PUSH BUTTON SWITCH		CW P/N: GPB024A05BR	