

# ADSL Transformer

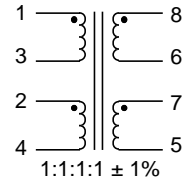
## EPD1018G

- Designed to meet Supplementary Insulation Requirement • of IEC950 for 250 VAC working Voltage
- Excellent THD Characteristic •
- Isolation : 1875 Vrms •  
(for 1 Second, 500  $\mu$ A Max. Leakage Current)

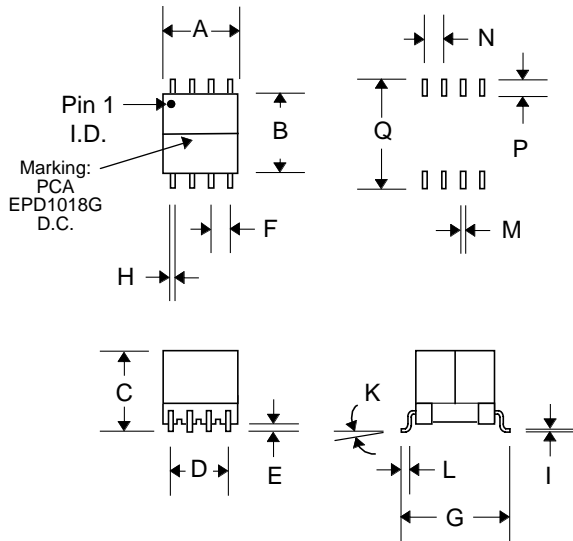
### Electrical Parameters @ 25° C

Line Side OCL ( $\mu$ H $\pm$ 10%)	Leakage Inductance ( $\mu$ H Max.)	Total Harmonic Distortion Line Side (dB Min.)	Longitudinal Balance (dB Min.)	DCR ( $\Omega$ Max.)
@ 10 KHz, 0.1 Vrms	@ 100 KHz, 0.1 Vrms	@ 100 KHz, 15 Vp-p	@ 100 KHz	Each Wdg
850	5	-80	-40	1
Pins 1-4 with 3-2 shorted	Pins 1-4 with 3-2, 8-5 & 6-7 shorted	---	---	Pins 1-3, 2-4, 8-6 or 7-5

### Schematic



### Package



### Dimensions

Dim.	(Inches)			(Millimeters)		
	Min.	Max.	Nom.	Min.	Max.	Nom.
A	---	.390	---	---	9.91	---
B	---	.420	.405	---	10.67	10.28
C	---	.484	---	---	12.29	---
D	---	---	.236	---	---	6.00
E	---	---	.010	---	---	.254
F	---	---	.100	---	---	2.54
G	---	.482	---	---	12.24	---
H	---	---	.024	---	---	.610
I	---	---	.012	---	---	.305
K	0°	8°	4°	0°	8°	4°
L	---	---	.035	---	---	.889
M	---	---	.031	---	---	.800
N	---	---	.079	---	---	2.00
P	---	---	.079	---	---	2.00
Q	---	---	.531	---	---	13.50