

DC COOLING FAN

40x40x20mm

- Voltage: 12 & 24 VDC
- Bearing options: Ball, Sleeve or Oil Bearing
- Material on housing: Plastic Housing to UL94V-0
- Airflow range: 7.9 - 10.5 CFM
- Suitable for Small Space Cooling
- Spot Cooling



SPECIFICATION

| Part No. | Bearing | Voltage(V) | Current(A) | Power(W) | Speed(RPM) | Air flow(CFM) | Pressure(mmAq) | Noise(dB/A) | Weight(g) |
|-------------|---------------|------------|------------|----------|------------|---------------|----------------|-------------|-----------|
| DBF4020x12H | Sleeve or Oil | 12 | 0.11 | 1.32 | 7500 | 10.0 | 7.83 | 31.1 | 28 |
| DBF4020B12H | Ball | 12 | 0.10 | 1.20 | 7800 | 10.5 | 8.69 | 31.9 | 28 |
| DBF4020x12M | Sleeve or Oil | 12 | 0.08 | 0.96 | 6700 | 9.0 | 6.71 | 27.6 | 28 |
| DBF4020B12M | Ball | 12 | 0.08 | 0.96 | 6900 | 9.2 | 6.79 | 28.3 | 28 |
| DBF4020x12L | Sleeve or Oil | 12 | 0.07 | 0.84 | 6000 | 7.9 | 5.14 | 24.2 | 28 |
| DBF4020B12L | Ball | 12 | 0.07 | 0.84 | 6200 | 8.2 | 5.49 | 25.2 | 28 |
| DBF4020x24H | Sleeve or Oil | 24 | 0.09 | 2.16 | 7500 | 10.0 | 7.83 | 31.1 | 28 |
| DBF4020B24H | Ball | 24 | 0.09 | 2.16 | 7800 | 10.5 | 8.69 | 31.9 | 28 |
| DBF4020x24M | Sleeve or Oil | 24 | 0.07 | 1.68 | 6700 | 9.0 | 6.71 | 27.6 | 28 |
| DBF4020B24M | Ball | 24 | 0.07 | 1.68 | 6900 | 9.2 | 6.79 | 28.3 | 28 |
| DBF4020x24L | Sleeve or Oil | 24 | 0.06 | 1.44 | 6000 | 7.9 | 5.14 | 24.2 | 28 |
| DBF4020B24L | Ball | 24 | 0.06 | 1.44 | 6200 | 8.2 | 5.49 | 25.2 | 28 |

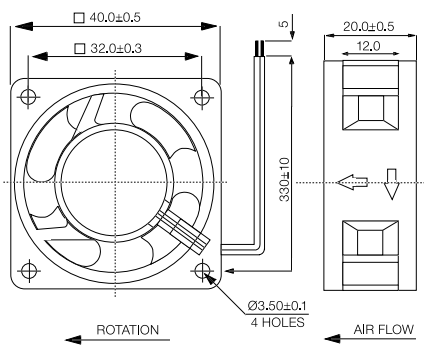
Impeller: Plastic (UL;94V-0)

Lead Wire: UL1007 AWG24

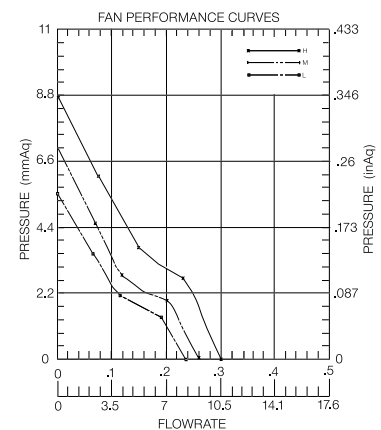
Protection: Current Limit

Operating Temp:-10° to 70° C

EXTERNAL DIMENSIONS



PERFORMANCE CURVE



ORDERING INFORMATION

| DBF | 4020 | B | 12 | H | |
|---------------|------------|-----------------------------|--------------------|-----------------------------|---|
| Dubilier Fans | Size | Bearing | Voltage | Airflow | Options |
| | 40x40x20mm | B=Ball S=Sleeve G=Oil | 12=12vdc 24=vdc | H=High M=Medium L=Low | Blank=Standard S=Speed Sensor Other options available |