

DESCRIPTION :

This DC to AC Inverter was developed for many other low LCD Backlight power supply as low profile applications, either for LCD Monitor or Industrial PC.

Applicable lcd; 10 to 15 inches double lamp type

Lamp Voltage 670V

Lamp Current 8mA

Lamp Start Up Voltage 1700Vrms (Vin : 12V)

FEATURES :

Current Feedback Circuit

High Efficiency

Low noise with voltage resonant circuit

Regulated output current

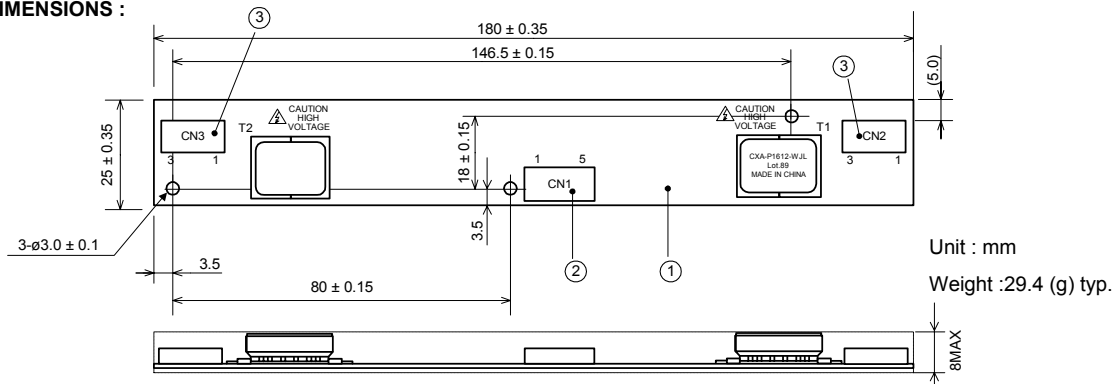
TEMPERATURE & HUMIDITY :

Operating Temperature Range 0 °C ~ +60°C

Storage Temperature Range -30 °C ~ +85°C

Humidity 95 %RH max

DIMENSIONS :



No.	Part Discription	Qty.	Note	Item
1	PWB	1	UL94V-0 t=1.0mm	
2	Connector CN1	1	S5B-PH-SM3 (JST)	
3	Connector CN2,3	2	SM02(8.0)B-BHS-1 (JST)	

CN1 : S5B-PH-SM3 (JST)

Pin	Symbol	Note
CN1-1	Vin	9.6 - 14.4 V
CN1-2	GND	0 V
CN1-3	Vbr	0 - 1.5 V
CN1-4	N.C.	-
CN1-5	Vrmt	0 - 14.4 V

CN2 : SM02(8.0)B-BHS-1 (JST)

Pin	Symbol	Note
CN2-1	Vhigh 1	670Vrms (8mArms)
CN2-3	Vlow 1	(2V)

CN3 : SM02(8.0)B-BHS-1 (JST)

Pin	Symbol	Note
CN3-1	Vhigh 2	670Vrms (8mArms)
CN3-3	Vlow 2	(2V)

Power Systems – The Power Solution

Web: www.Power-Systems.de
Email Europe: Info@Power-Systems.de

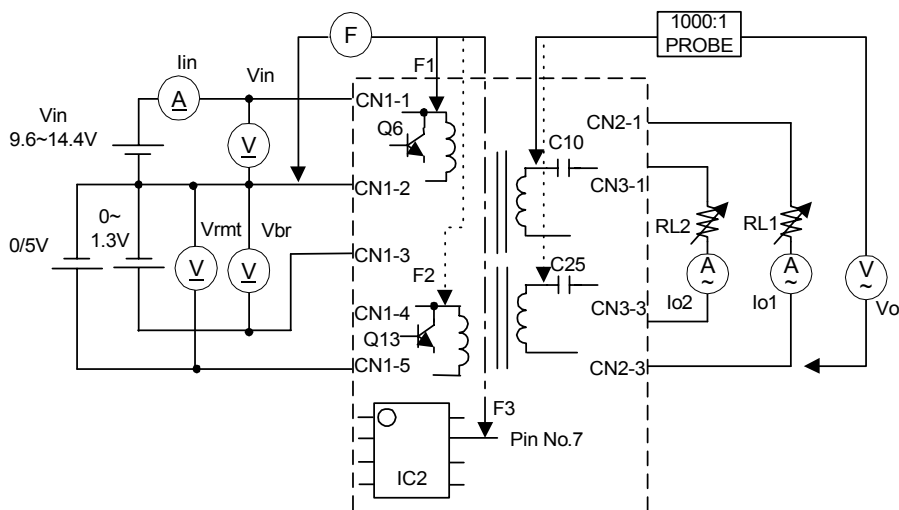
Adress: Dörnet 8; 74360 Illfeld / Germany
Tel. Europe: + 49 / 7062 / 6759-6
Fax: + 49 / 7062 / 6759-80

ELECTRICAL CHARACTERISTICS :

Parameters	Symbol	Conditions				Specifications			Unit	Note			
		Vin (V)	Vbr (V)	Ta (°C)	RL1,2 (kΩ)	min.	typ.	max.					
Output Current	Iout	0	0	0 ~ 70	75 - 112	7.1	8.0	8.7	mArms				
				25	95	7.2	8.0	8.7					
Input Current	Iin1	0 - 1.5	0	0 ~ 70	75 - 112	-	-	1.6	Adc				
				25	95	-	0.78	1.4					
	Iin2			0 ~ 70	75 - 112	-	-	1	mAdc				
				25	95	-	-	1					
Frequency	FL1	12	0	0 ~ 70	75 - 112	53	60	67	kHz				
				25	95	54	60	66					
	FL2			0 ~ 70	75 - 112	55	62	69	kHz				
				25	95	56	62	68					
	FL3 (Duty)			FL3	1.0	1.0	0 ~ 70	75 - 112	225	270	335	Hz	
							25	95	225	270	315		
Open Voltage	Vopen	0	0	0 ~ 70			∞	1500	1700	-	Vrms		
				25			∞	1500	1700	-			

APPLICATION (for example)

Voltage Dimming Type



Power Systems – The Power Solution

Web: www.Power-Systems.de
 Email Europe: Info@Power-Systems.de

Address: Dörnet 8; 74360 Illfeld / Germany
 Tel. Europe: + 49 / 7062 / 6759-6
 Fax: + 49 / 7062 / 6759-80