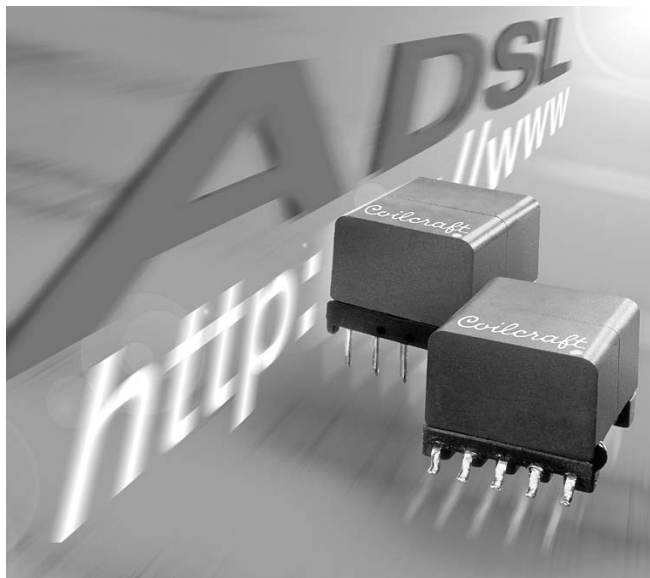


# ADSL Transformers

For Analog Devices  
chipsets



This product is not RoHS-compliant. Contact Coilcraft for current status or possible alternatives.

These transformers have been designed to provide optimum performance with various ADSL chip sets from Analog Devices.

They feature a compact size, minimum DC resistance and very low leakage inductance. Primary inductance is stable from -40°C to +85°C and the longitudinal balance is optimized for the best overall performance at the ADSL transmission speed. Most parts have been designed to meet UL 1950 requirements.

For free evaluation samples or to discuss custom designs, please contact Coilcraft.

## SPECIFICATIONS

Part number	Style	Chip set	Line side inductance (mH)	Leakage inductance max (µH)	DCR max (Ohms)	
					Chip side	Line side
AS7787-A	Leaded	AD20MSP910/918 CO/CPE	5.0 ± 10%	16	1.21 (10-8), 1.65 (9-7)	1.42 (1-3, 2-4)
AS8456-A	SMT	AD20MSP910/918 CO/CPE	5.0 ± 10%	16	1.21 (10-8), 1.65 (9-7)	1.42 (1-3, 2-4)
AS8923-A	Leaded	AD20MSP930 CO	2.03 min	7.5	0.60 (1-3, 2-4)	0.60 (10-8), 0.60 (9-7)
AS8908-A	SMT	AD20MSP930 CO	2.03 min	7.5	0.60 (1-3, 2-4)	0.60 (10-8), 0.60 (9-7)
AS8925-A	Leaded	AD20MSP930 CPE	2.42 min	7.5	0.55 (1-3, 2-4)	0.58 (10-8), 0.58 (9-7)
AS8924-A	SMT	AD20MSP930 CPE	2.42 min	7.5	0.55 (1-3, 2-4)	0.58 (10-8), 0.58 (9-7)

Part number	Dielectric strength (V)	Turns ratio line:chip	Capacitance max (pF)	Longitudinal balance min (dB)	THD @ 20 kHz typ (dB)	Designed to meet
AS7787-A	1875	1:1	55	40 (20 kHz - 1.1 MHz)	-89	UL 1459, 1950
AS8456-A	1875	1:1	55	40 (20 kHz - 1.1 MHz)	-89	UL 1459, 1950
AS8923-A	2300	1.1:1		40 (20 kHz - 1.1 MHz)	-85	UL 1459, 1950
AS8908-A	2300	1.1:1		40 (20 kHz - 1.1 MHz)	-85	UL 1459, 1950
AS8925-A	2300	1.2:1		40 (20 kHz - 1.1 MHz)	-85	UL 1459, 1950
AS8924-A	2300	1.2:1		40 (20 kHz - 1.1 MHz)	-85	UL 1459, 1950

1. All electrical specifications referenced to line side.

2. Operating temperature range -40°C to +85°C.

3. Electrical specifications at 25°C.

**Coilcraft**<sup>®</sup>

Specifications subject to change without notice.

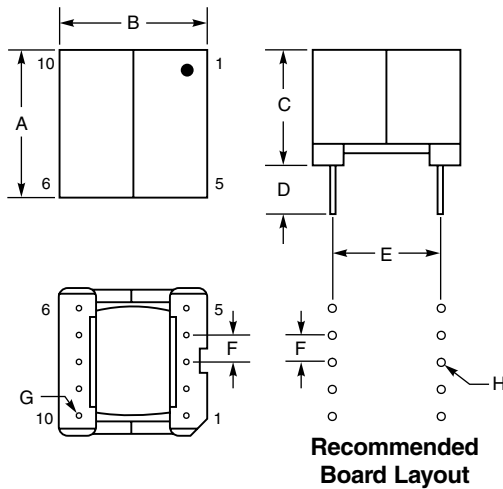
Please check our website for latest information. Document 244-1 Revised 09/25/08

1102 Silver Lake Road Cary, Illinois 60013 Phone 847/639-6400 Fax 847/639-1469

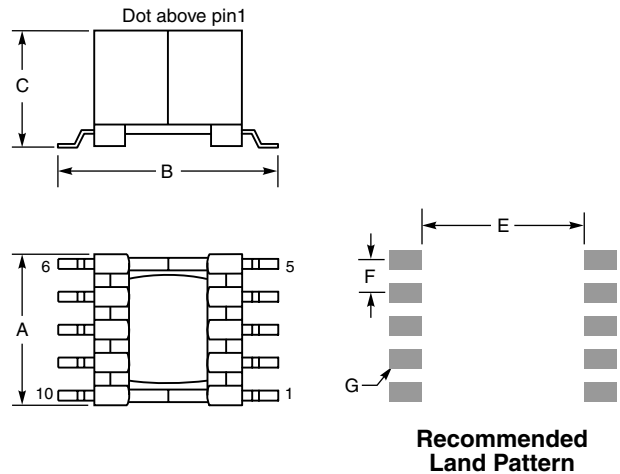
E-mail [info@coilcraft.com](mailto:info@coilcraft.com) Web <http://www.coilcraft.com>

# ADSL Transformers for Analog Devices

## Leaded Transformers



## Surface Mount Transformers

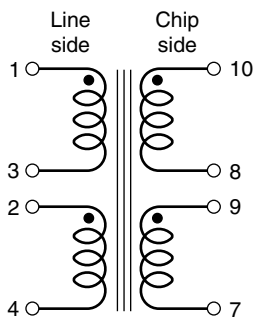


A max	B max	C max	D min	E	F typ	G dia	H dia
0.550	0.550	0.500	0.100	0.400	0.100	0.013	0.032
13,97	13,97	12,70	2,54	10,16	2,54	0,33	0,82

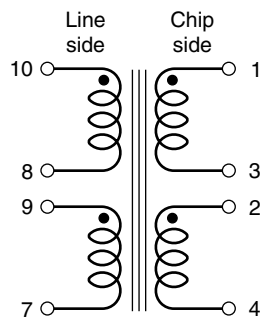
A max	B max	C max	E	F typ	G typ
0.530	0.699	0.500	0.590	0.098	0.050 × 0.061
13,46	17,75	12,70	14,99	2,50	1,27 × 1,55

## Schematics

AS7787-A, AS8456-A



AS8923-A, AS8908-A  
AS8925-A, AS8924-A



Specifications subject to change without notice. Please check our website for latest information. Document 244-2 Revised 09/25/08

1102 Silver Lake Road Cary, Illinois 60013 Phone 847/639-6400 Fax 847/639-1469  
E-mail info@coilcraft.com Web http://www.coilcraft.com