

IEC Appliance Outlet D, insert Mounting, Solder Terminal



new

**Description**

- Connector, Pin temperature 70 °C, Protection class II
- Solder terminal

**Approvals**

- VDE License Number: 40011945
- UL License Number: E45115
- CSA License Number: 27324

**Other versions on request**

- For protection class II

**References**

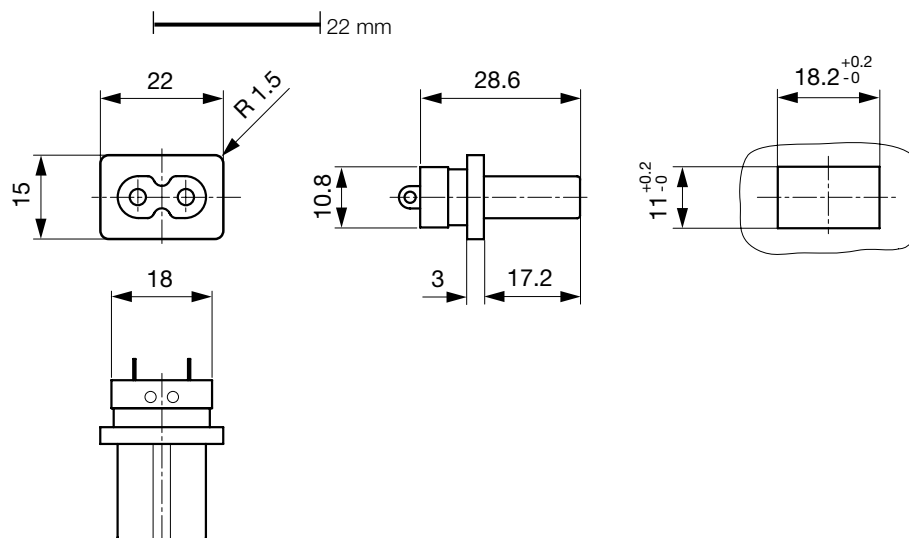
[General Product Information](#)

**Weblinks**

[Approvals](#), [RoHS](#), [CHINA-RoHS](#), [Mating Connectors](#), [e-Store](#), [Distributor-Stock-Check](#), [Accessories](#)

**Technical Data**

|                           |   |
|---------------------------|---|
| Ratings IEC               | 2.5 A / 250 VAC; 50 Hz  |
| Ratings UL/CSA            | 4 A / 250 VAC; 60 Hz  |
| Dielectric Strength       | > 4 kVAC between L-N  |
|                           | > 2 kVAC between L/N-PE<br>(1 min/50 Hz)                          |
| Allowable Operation Temp. | -25 °C to 70 °C   |
| Degree of Protection      | from front side IP 20 acc. to IEC 60529                           |
| Protection Class          | Suitable for appliances with protection class 2 acc. to IEC 61140 |
| Terminal                  | Solder terminal straight  |
| Material: Housing         | UL 94V-0  |

**Dimensions**

length of the terminal please find at the order code configuration table

### Config. Code

Product Configurator


5086 - H - A B C 0 - D - E

The characters are placeholders for the correspondingly keys of selections from the key tables.

#### 5086 - H - A B C 0 - D - E = Type

| Type               | Configuration key |
|--------------------|-------------------|
| protection class 2 | B                 |

#### 5086 - H - A B C 0 - D - E = Terminals

| Terminal L  | Configuration key |
|---|-------------------|
| solder terminal  | 1                 |

#### 5086 - H - A B C 0 - D - E = Terminals

| Terminal N      | Configuration key |
|-----------------|-------------------|
| solder terminal | 1                 |

Symbols similar as in table A

#### 5086 - H - A B C 0 - D - E = Terminals

| Terminal Ground  | Configuration key |
|------------------|-------------------|
| without terminal | 0                 |

Symbols similar as in table A

#### 5086 - H - A B C 0 - D - E = Color

| Color                | Configuration key |
|----------------------|-------------------|
| jet black; RAL9005   | A                 |
| silver grey; RAL7001 | B                 |
| pure white; RAL9010  | D                 |

standard color: black

#### 5086 - H - A B C 0 - D - E = Style

| Style       | Configuration key |
|-------------|-------------------|
| insert type | 5                 |

### Variants

| Config. Code    | Description  | Order Number |
|-----------------|--|--------------|
| 5086-X-1100-A-5 | 5086, IEC Connector , 70°C, version: 2, L: solder terminal, N: solder terminal, ground: without terminal, color: jet black; RAL9005, design: insert type, dimension X: | 6180.0006    |

The listet variants should be available from stock Other versions on request [www.schurter.com/contact](http://www.schurter.com/contact)

**Packaging unit** 50 Pcs

### Mating Inlets/Plugs

#### Category / Description



[Interconnection Cord Overview complete](#)

|   |      |
|---|------|
| Interconnection Cord with IEC Plug C, Angled 70°C | 2711 |
| Interconnection Cord with IEC Plug C, Angled      | 2712 |
| Interconnection Cord with IEC Plug C, Straight    | 2730 |
| Interconnection Cord with IEC Plug C, Straight    | 2731 |

[Interconnection Cord further types to 5086](#)