

IEC Appliance Outlet D, Inlay Mounting, Solder Terminal



### Description

- Connector, Pin temperature 70 °C Protection class II
- Solder terminal

### Approvals

- UL License Number: E45115
- CSA License Number: 27324

### References

[General Product Information](#)

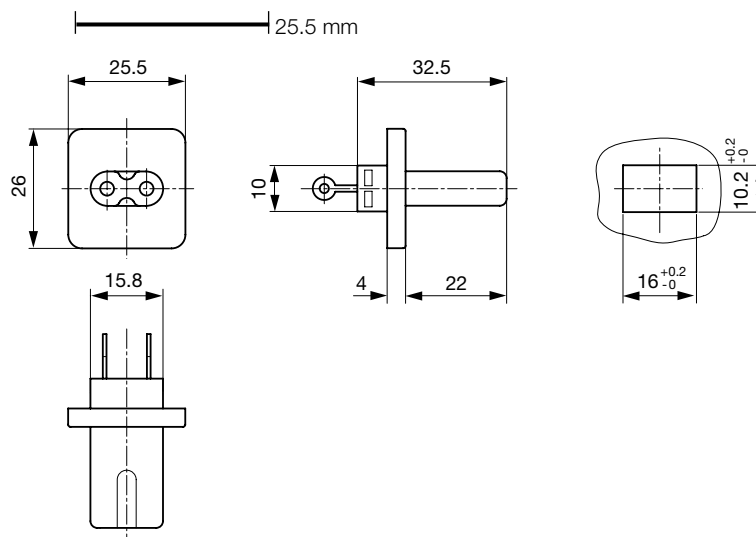
### Weblinks

[Approvals, RoHS, CHINA-RoHS, Mating Connectors, e-Store, Distributor-Stock-Check, Accessories](#)

### Technical Data

Ratings IEC	2.5 A / 250 VAC; 50 Hz
Ratings UL/CSA	2.5 A / 250 VAC; 60 Hz
Dielectric Strength	> 4 kVAC between L-N > 2 kVAC between L/N-PE (1 min/50 Hz)
Allowable Operation Temp.	-25 °C to 70 °C
Degree of Protection	from front side IP 20 acc. to IEC 60529
Protection Class	Suitable for appliances with protection class 2 acc. to IEC 61140
Panel Thickness s	Drop-in type
Material: Housing	UL 94V-0

### Dimensions



length of the terminal please find at the order code configuration table

## Config. Code

Product Configurator


5081 - H - A B C 0 - D - E

The characters are placeholders for the correspondingly keys of selections from the key tables.

5081 - H - A B C 0 - D - E = Type

Type	Configuration key
protection class 2	B

5081 - H - A B C 0 - D - E = Terminals

Terminal L	Configuration key
solder terminal 	1

5081 - H - A B C 0 - D - E = Terminals

Terminal N	Configuration key
solder terminal	1

Symbols similar as in table A

5081 - H - A B C 0 - D - E = Terminals

Terminal Ground	Configuration key
without terminal	0

Symbols similar as in table A

5081 - H - A B C 0 - D - E = Color

Color	Configuration key
jet black; RAL9005	A
silver grey; RAL7001	B
pure white; RAL9010	D

standard color: black

5081 - H - A B C 0 - D - E = Style

Style	Configuration key
insert type	5

## Variants

Config. Code	Description	Order Number
5081-X-1100-A-5	5081, IEC Connector , 70°C, version: 2, L: solder terminal, N: solder terminal, ground: without terminal, color: jet black; RAL9005, design: insert type, dimension X:	6180.0001

The listet variants should be available from stock Other versions on request [www.schurter.com/contact](http://www.schurter.com/contact)

**Packaging unit** 50 Pcs

## Mating Inlets/Plugs

### Category / Description

[Appliance Inlet Overview complete](#)



IEC Appliance Inlet C8, Screw-on Mounting, Rear Side, PCB-/Solder Terminal	0720-FP
IEC Appliance Inlet C8, Screw-on Mounting, Rear Side, Solder Terminal	0720-FS
IEC Appliance Inlet C8, Snap-in Mounting, Front Side, Solder Terminal	0721-PP
IEC Appliance Inlet C8, Snap-in Mounting, Front Side, Solder Terminal	0721-PS
IEC Appliance Inlet C8, insert Mounting, Solder, PCB or Quick-connect Terminal	2572

[Appliance Inlet further types to 5081](#)

...

[Power Entry Module Overview complete](#)



IEC Appliance Inlet C8 with Line Switch 1-pole	CMF1, CMF4
--	------------

[Power Entry Module further types to 5081](#)