

IEC Appliance Inlet C6, Screw-on Mounting, Front or Rear Side, Solder, PCB or Quick-connect Terminal



C6

 70 °C

**Description**

- Panel Mount:

- Screw-on mounting, from front or rear-side
- Appliance Inlet, Pin temperature 70 °C Protection class I,

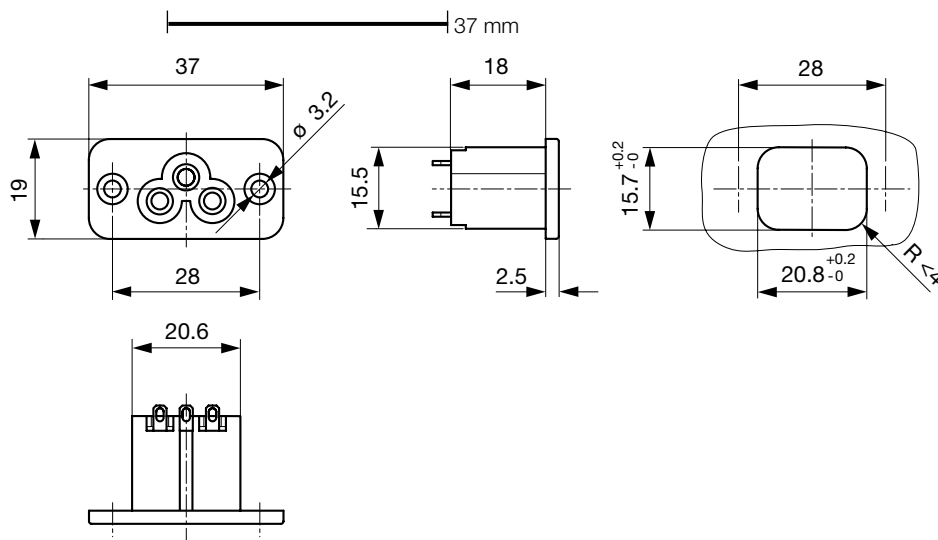
Approvals

- VDE License Number: 40002273
- UL License Number: E96454
- CSA License Number: 27324

References[General Product Information](#)**Weblinks**[Approvals, RoHS, CHINA-RoHS, Mating Connectors, Distributor-Stock-Check, Accessories](#)**Technical Data**

Ratings IEC	2.5 A / 250 VAC; 50 Hz
Ratings UL/CSA	2.5 A / 250 VAC; 60 Hz
Dielectric Strength	> 4 kVAC between L-N > 2 kVAC between L/N-PE (1 min/50 Hz)
Allowable Operation Temp.	-25 °C to 70 °C
Degree of Protection	from front side IP 20 acc. to IEC 60529
Protection Class	Suitable for appliances with protection class 1 acc. to IEC 61140
Material: Housing	UL 94V-0

Appliance Inlet	C6 acc. to IEC/EN 60320-1 UL 498, CSA C22.2 no. 42 (for cold conditions) pin-temperature 70 °C, 2.5 A, Protection Class 1
-----------------	--

Dimensions

Length of the terminal please find at the order code configuration table

Config. Code

Product Configurator

2561 - H - A B C 0 - D - E

The characters are placeholders for the correspondingly keys of selections from the key tables.

2561 - H - A B C 0 - D - E = Type

Type	Configuration key
protection class 1	X

2561 - H - A B C 0 - D - E = Terminals

Terminal L	Configuration key
short solder terminal (L=4,8mm)	2
long solder terminal (L=8,5mm)	3
PCB-terminal (standard)	4
blade terminal (2,8x0,8mm)	7



2561 - H - A B C 0 - D - E = Terminals

Terminal N	Configuration key
short solder terminal (L=4,8mm)	2
long solder terminal (L=8,5mm)	3
PCB-terminal (standard)	4
blade terminal (2,8x0,8mm)	7

Symbols similar as in table A

2561 - H - A B C 0 - D - E = Terminals

Terminal Ground	Configuration key
short solder terminal (L=4,8mm)	2
long solder terminal (L=8,5mm)	3
PCB-terminal (standard)	4
blade terminal (2,8x0,8mm)	7

Symbols similar as in table A

2561 - H - A B C 0 - D - E = Color

Color	Configuration key
jet black; RAL9005	A
silver grey; RAL7001	B
pure white; RAL9010	D

standard color: black

2561 - H - A B C 0 - D - E = Style

Style	Configuration key
flange with countersunk holes	1
flange with through holes	2

Variants

Config. Code	Description	Order Number
2561-X-2220-A-1	2561, IEC Appliance Inlet C6, 70°C, Schutzklasse 1, L: short solder terminal (L=4,8mm), N: short solder terminal (L=4,8mm), Erde: short solder terminal (L=4,8mm), Farbe jet black; RAL9005, Bauform: flange with countersunk holes, Mass X:	6160.0001

The listed variants should be available from stock. Other versions on request www.schurter.com/contact

Packaging unit 50 Pcs

Mating Outlets/Connectors

Category / Description



[Power Cord Overview complete](#)

Power Cord with IEC Connector C5, Angled	2512
Power Cord with IEC Connector C5, Straight	2530

[Power Cord further types to 2561](#)