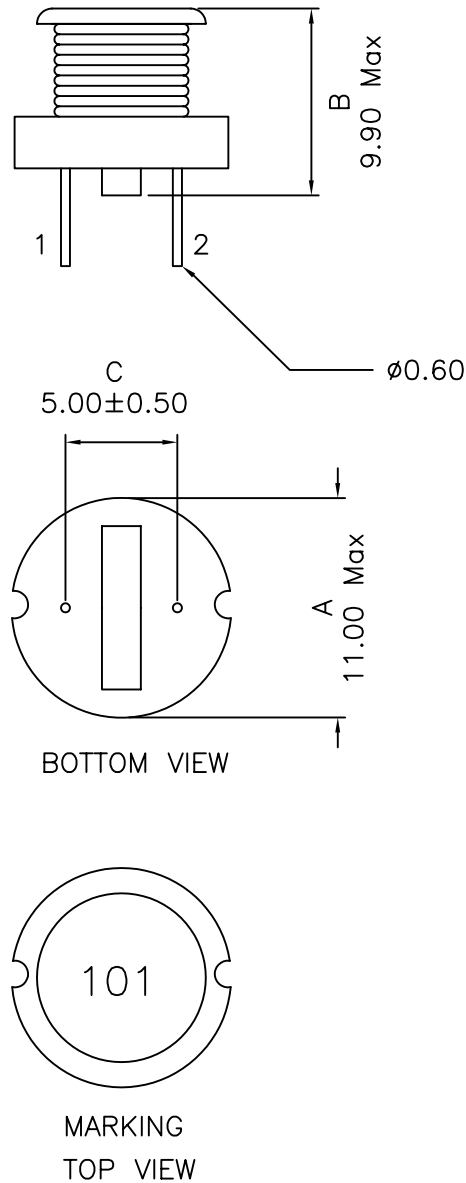
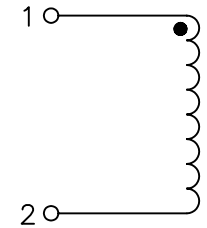


## 1. Mechanical Dimensions:



## 2. Schematic:



## 3. Electrical Specifications:

OCL: 102.6uH±20% @100KHz 0.25V, 0Adc

Isat: 1.2Adc (Based on 40°C Temp Rise)

Irated: 0.95Adc (Based on 10% drop in OCL)

DCR: 0.270 Ohms Max

### Notes:

- Solderability: Leads shall meet MIL-STD-202, Method 208D for solderability.
- Flammability: UL94V-0
- ASTM oxygen index: > 28%
- Insulation System: Class F 155°C. UL file E151556
- Operating Temperature Range: All listed parameters are to be within tolerance from -40°C to +85°C
- Storage Temperature Range: -55°C to +125°C
- Aqueous wash compatible

<b>XFMRS Inc</b>	Title: Inductor		
	UNLESS OTHERWISE SPECIFIED TOLERANCES: .xx ±0.25 Dimensions in MM	P/N: 1XF10000T1M	REV A
	DWN.	刘 鹏	Sep-04-02
	CHK.	李小锋	Sep-04-02
Scale 2.5:1 SHT 1 OF 1	APP.	Isaiah M	Sep-04-02

DOC. REV: A/3