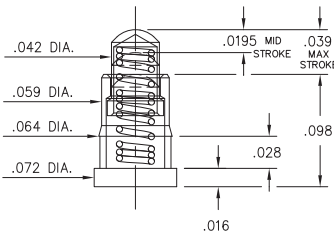
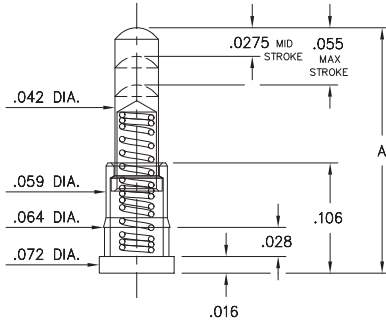


0900-0



0900-0-00-00-00-00-11-0
Short Stroke, Surface mount
Lowest profile

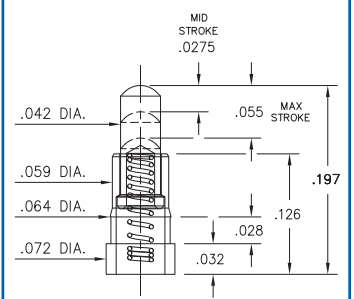
0900-1⇒4



0900-X-00-00-00-00-11-0
Standard Stroke, Surface mount
Low profile

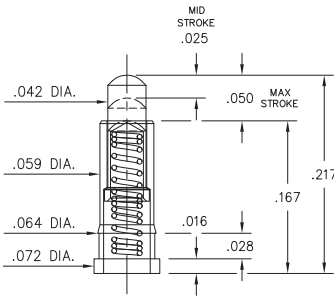
| Basic Part Number | Length A |
|-------------------|----------|
| 0900-1 | .177 |
| 0900-2 | .197 |
| 0900-3 | .217 |
| 0900-4 | .236 |

0934



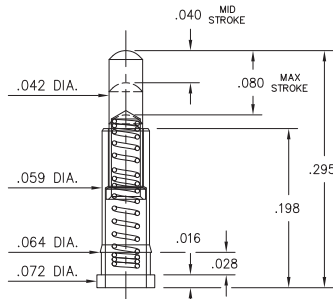
0934-0-15-20-74-14-26-0
Standard Stroke
Surface mount

0936



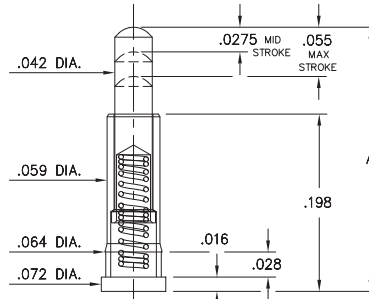
0936-0-15-20-75-14-11-0
Standard Stroke
Surface mount

0928



0928-0-15-20-77-14-11-0
Long Stroke
Surface mount

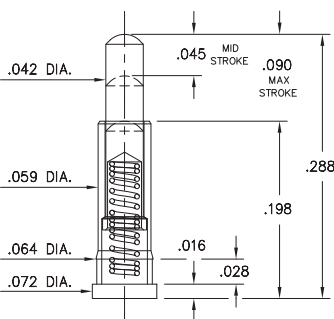
0907-0⇒9



0907-X-15-20-75-14-11-0
Standard Stroke, Surface mount
High profile

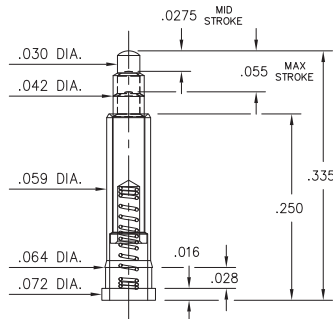
| Basic Part Number | Length A |
|-------------------|----------|
| 0907-0 | .255 |
| 0907-1 | .275 |
| 0907-2 | .295 |
| 0907-3 | .315 |
| 0907-4 | .335 |
| 0907-5 | .350 |
| 0907-6 | .370 |
| 0907-7 | .390 |
| 0907-8 | .410 |
| 0907-9 | .430 |

0913



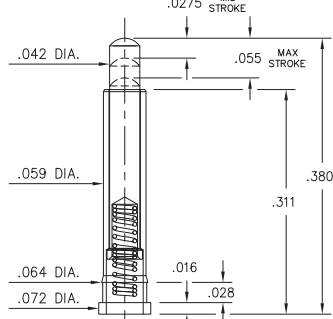
0913-0-15-20-77-14-11-0
Long Stroke
Surface mount

0925



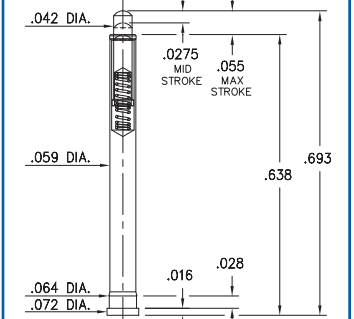
0925-0-15-20-73-14-26-0
Standard Stroke
Surface mount

0927



0927-0-15-20-75-14-11-0
Standard Stroke
Surface mount

0905



0905-0-00-00-00-00-11-0
Standard Stroke, Surface mount
Highest profile

ORDER CODE: 09XX - X - 15 - 20 - 7X - 14 - XX - 0

Spring Number

MATERIAL SPECIFICATIONS:

- SLEEVE & PLUNGER MATERIAL:** Copper Alloy
- SPRING MATERIAL:** Beryllium Copper
- SLEEVE & PLUNGER FINISH:** 20 μm Gold over Nickel
- SPRING FINISH:** 10 μm Gold over Nickel
- DIMENSION IN INCHES:**
- TOLERANCES ON:** LENGTHS: ±.006
DIAMETERS: ±.002
ANGLES: ± 2°



MECHANICAL & ELECTRICAL SPECIFICATIONS:

- DURABILITY:** 1,000,000 cycles
- CURRENT RATING:** 2A continuous, 3A peak
- CONTACT RESISTANCE:** 20 mΩ max.

| SPRING NUMBER | Mid. STROKE | Max. STROKE | FORCE @ Mid. Stroke | Initial Force (Pre-load) |
|---------------|-------------|-------------|---------------------|--------------------------|
| 73 | .0275 | .055 | 60 g | 25 g |
| 74 | .0275 | .055 | 50 g | 15 g |
| 75 | .0275 | .055 | 60 g | 25 g |
| 77 | .045 | .090 | 60 g | 25 g |

73, 74, 75, 77 Springs are not Interchangeable