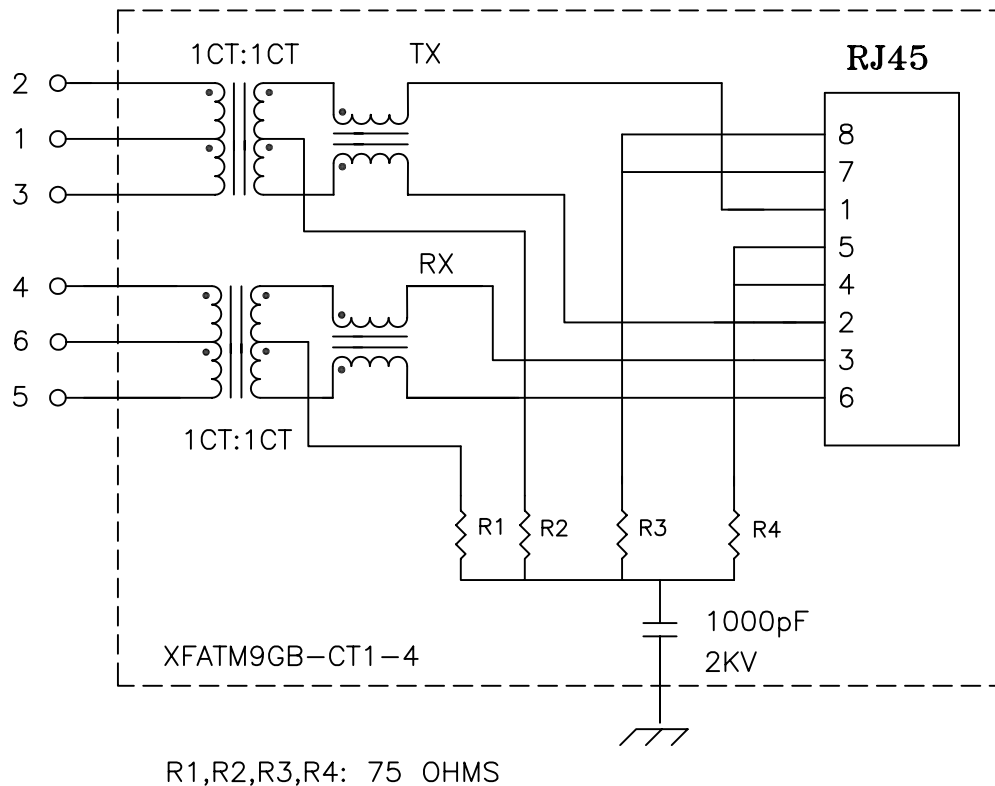


Schematic:



Electrical Specifications: @25°C

Isolation Voltage: 1500 Vrms (Input to Output)

Isolation Voltage: 500 Vrms (P1+2+3 to P4+5+6)

Turns Ratio: TX 1CT:1CT $\pm 3\%$ RX 1CT:1CT $\pm 3\%$

CABLE SIDE OCL: 350uH Minimum @100KHz 100mV 8mADC

Cw/w: 27pF Typical @100KHz 100mV

Insertion Loss (300KHz-100MHz): -1.0dB Minimum

Return Loss: @30MHz -18dB Minimum

@80MHz -12dB Minimum

Crosstalk: @1MHz -70dB Minimum

@30MHz -45dB Minimum

@50MHz -40db Minimum

@100MHz -35dB Minimum

CMMR: @0.1-100MHz -30dB Minimum

CMDR: @0.1-100MHz -40dB Minimum

Notes:

1. Solderability: Leads shall meet MIL-STD-202, Method 208D for solderability.
2. Flammability: UL94V-0
3. ASTM oxygen index: > 28%
4. Temperature rating: 155°C. UL file E151556
5. Operating Temperature Range: -40°C to +85°C

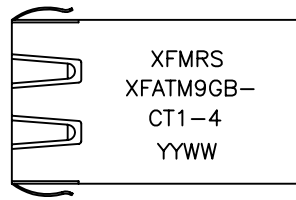
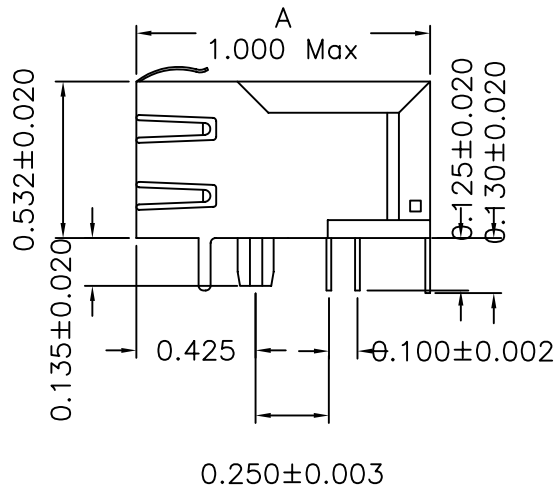
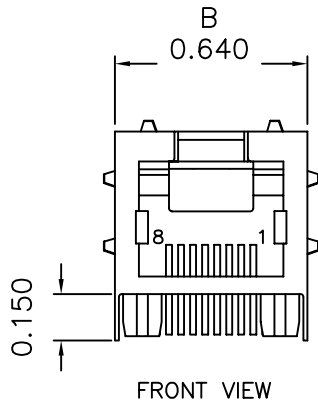
DOC. REV: A/1

XFMRs Inc.		Title: SINGLE PORT COMBO	
UNLESS OTHERWISE SPECIFIED		P/N: XFATM9GB-CT1-4	REV. A
TOLERANCES: .xxx ± 0.010		DWN. 廖玉坤	Apr-15-04
Dimensions in Inch		CHK. 李清儿	Apr-15-04
SHEET 1 OF 2		APP. MS	Apr-15-04

PROPRIETARY:

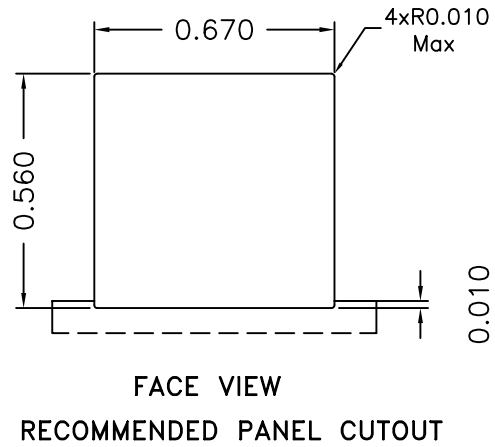
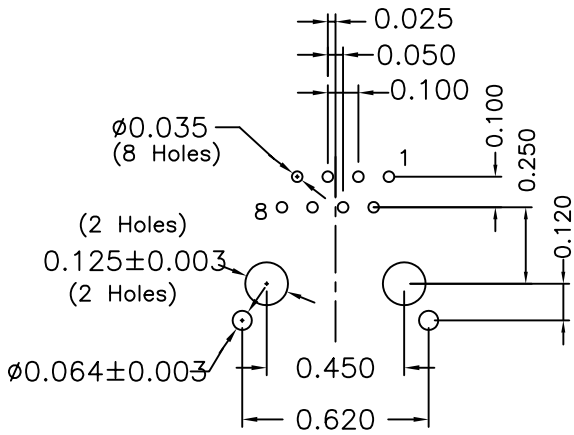
Document is the property of XFMRs Group & is not allowed to be duplicated without authorization.

Mechanical Dimensions:



TOP VIEW

Mounting Pattern:



DOC. REV A/1

PROPRIETARY:

Document is the property of XFMRS Group & is not allowed to be duplicated without authorization.

XFMRS Inc.	Title: Mechanical Dimensions For TAB UB RJ45 COMBO	
	UNLESS OTHERWISE SPECIFIED TOLERANCES: .xxx ±0.010 Dimensions in Inch	P/N: XFATM9GB-CT1-4 DWN. 刘鹏 CHK. 李小锋 APP. MS
SHEET 2 OF 2	REV. A Apr-15-04 Apr-15-04 Apr-15-04	