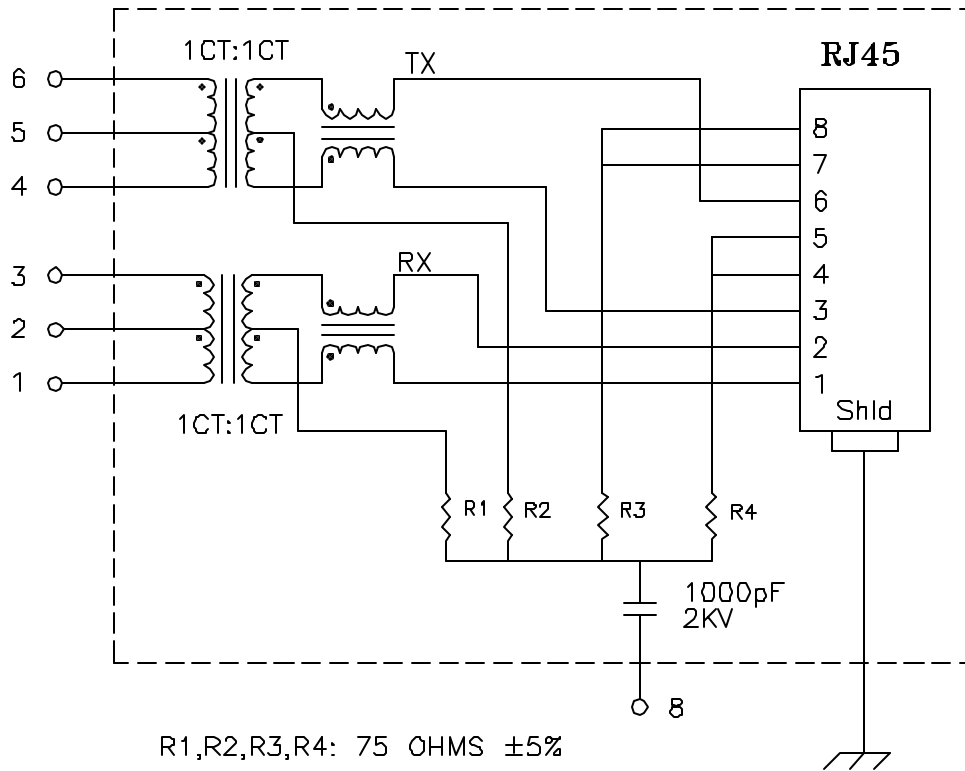


### Schematic:



### Electrical Specifications: @25°C

- Isolation Voltage: 1500 Vrms (Input to Output)
- Isolation Voltage: 500 Vrms (P1+2+3 to P4+5+6)
- Turns Ratio: TX 1CT:1CT ±3% RX 1CT:1CT ±3%
- CABLE SIDE OCL: 350uH Minimum @100KHz 100mV 8mADC
- Q: 16 Minimum @100KHz 100mV
- Cw/w: 27pF Typical @100KHz 100mV
- Insertion Loss (300KHz-100MHz): -1.0dB Maximum
- Return Loss: @30MHz -18dB Minimum
- @80MHz -12dB Minimum

**Notes:**

1. Solderability: Leads shall meet MIL-STD-202G, Method 208H for solderability.
2. Flammability: UL94V-0
3. ASTM oxygen index: > 28%
4. Insulation System: Class F 155°C. UL file E151556
5. Operating Temperature Range: All listed parameters are to be within tolerance from -40°C to +85°C
6. Storage Temperature Range: -55°C to +125°C
7. Aqueous wash compatible
8. Electrical and mechanical specifications 100% tested
9. RoHS Compliant Component

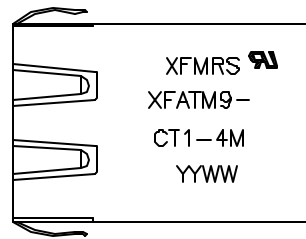
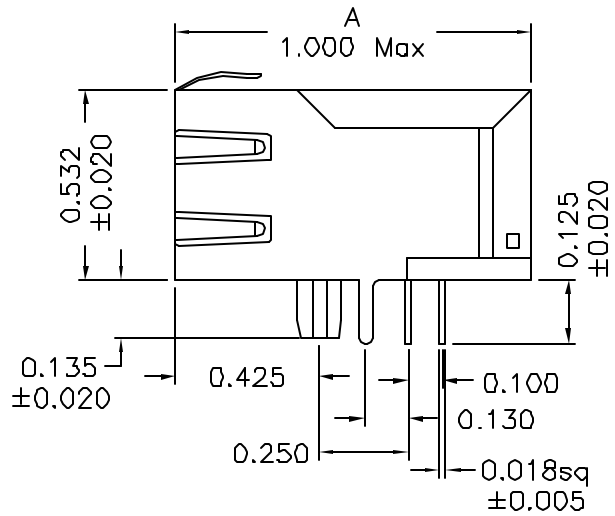
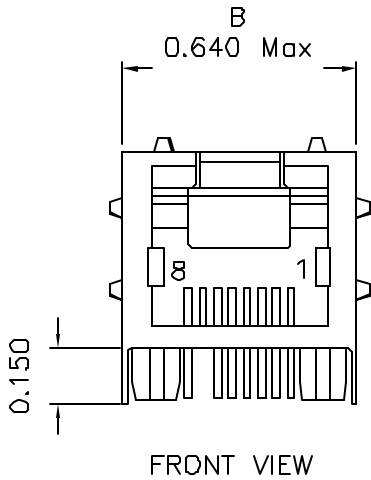
DOC REV: A/5

<b>XFMRs Inc.</b> www.XFMRs.com		Title:	
		<b>SINGLE PORT COMBO TAB UP</b>	
UNLESS OTHERWISE SPECIFIED TOLERANCES: .xxx ±0.010 Dimensions in Inch		P/N: XFATM9-CT1-4M	
		REV. A	
SHEET 1 OF 2		DWN.	Juan Mao
		CHK.	YK Liao
SHEET 1 OF 2		APP.	BW
		Jun-10-08	

**PROPRIETARY**

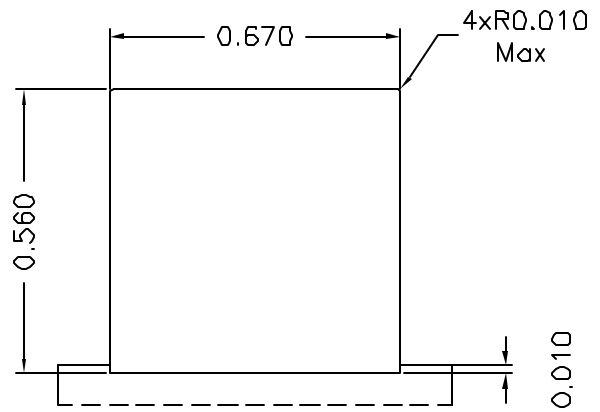
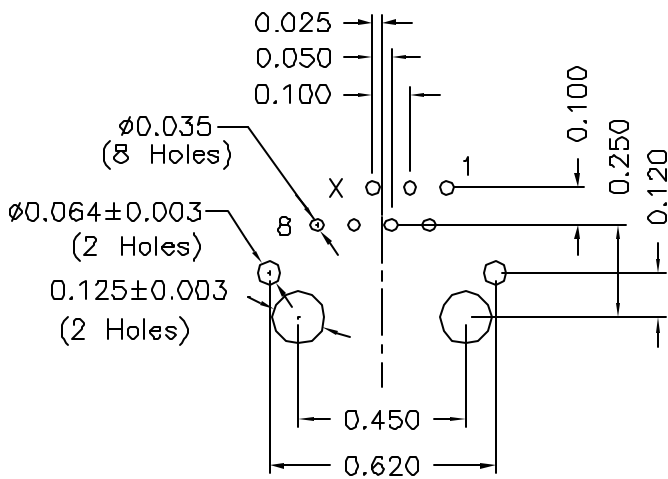
Document is the property of XFMRs Group & is not allowed to be duplicated without authorization.

**Mechanical Dimensions:**



\*Remove Pin#7

**Mounting Pattern:**



**RECOMMENDED PANEL CUTOUT**

DOC REV: A/5

<b>XFMRS Inc.</b> www.XFMRS.com	Title: Mechanical Dimensions For TAB UB RJ45 COMBO		
	UNLESS OTHERWISE SPECIFIED TOLERANCES: .xxx ±0.010 Dimensions in Inch	P/N: XFATM9-CT1-4M	REV. A
	DWN.	Juan Mao	Jun-10-08
	CHK.	YK Liao	Jun-10-08
SHEET 2 OF 2	APP.	BW	Jun-10-08

**PROPRIETARY:**

Document is the property of XFMRS Group & is not allowed to be duplicated without authorization.