

Model(型號): **ROTARY POTENTIOMETER-----R09714DB1**

► Download PDF file



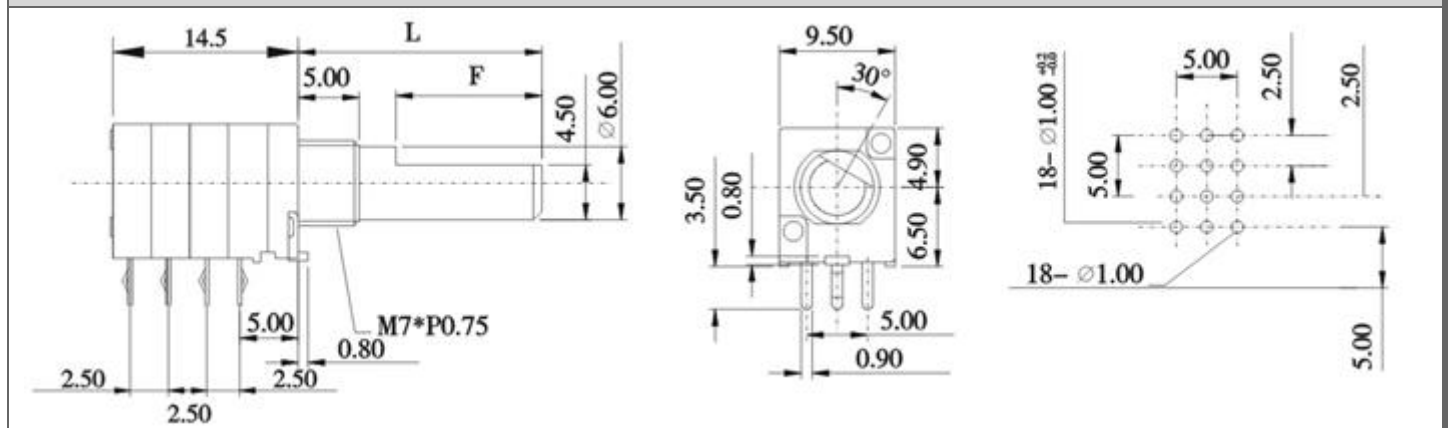
Features:(特點):

Small, only 9.5mm wide.
 there three mounting heights from the PC board to shaft center: 6.5mm and 10mm and 12.5mm.
 Inswrting molding with rwsin around the resistor prevents flux build-up.
 The gang error is within 3dB at 40 to 0dB.

Applications(作用):

Ideal for volume, tone and balance control of car audio equipment.

Dimensions(規格圖):



Specifications(規格)

Electrical Characteristics [電氣性能]

Total resistance [全阻抗值]	500Ω - 1MΩ
Total resistance tolerance [全阻抗值容許差]	±20%
Ratings power(w) [額定功率]	0.05W
Resistance taper [阻抗變化特性]	A,B, *C
Residual resistance [殘留阻值]	20KΩMax.
Sliding noise [滑動雜音]	100mV Max.
Withstanding voltage [耐電壓]	1 minute at AC 250V
Gang error [連動誤差]	±2dB Max.at 50% position.
Insulation resistance [絕緣阻抗]	100MΩ Min. at DC 500V.
Max. operating voltage [最高使用電壓]	AC50V, DC 10V

Mechanical Characteristics [機械性能]

Operation torque [回轉力矩]	20~250gf . cm
Rotation stopper strength [止動強度]	3.0Kgf . cm Min.
Total rotational angle [回轉角度]	300±5°
position of click[掣子位置]	150° ±5°
Center decent force [掣子脫出力矩]	40~300gf.cm

Endurance Characteristics [耐久性能]

Rotational life [回轉壽命]	More than 10,000 cycles
--------------------------	-------------------------