



## 4-Channel Audio Processor

**PT2313H**

### **DESCRIPTION**

PT2313H is a four-channel digital control audio processor utilizing CMOS technology. Volume, Bass, Balance, Front/Rear Fader Processor, Selectable Input Gain are incorporated into a single chip having the highest performance and reliability with the least external components. All functions are programmable using the I<sup>2</sup>C Bus. PT2313H is housed in 28-pin SOP package. The 28-pin version provides additional Two Band Tone Control and Loudness Function and is pin-to-pin compatible with TDA7313. Pin assignments and application circuits are optimized for easy PCB layout and cost saving advantages.

### **FEATURES**

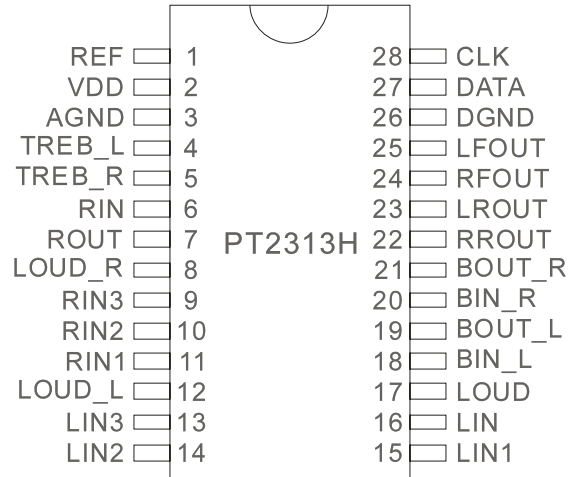
- CMOS technology
- Least external components
- Treble and bass control
- Loudness function
- 3 Stereo inputs with selectable input gain
- Input/output for external noise reduction system/equalizer
- 4 independent speaker controls for fader and balance
- Independent mute function
- Volume control in 1.25dB/step
- Low distortion
- Low noise and DC stepping
- Controlled by I<sup>2</sup>C bus micro-processor interface

### **APPLICATIONS**

- Car stereo (Audio)
- Hi-Fi audio system
- Purchase of I<sup>2</sup>C component of Princeton Technology Corporation (PTC) conveys a license under Philips.  
\*I<sup>2</sup>C Patent Right to use these components in any I<sup>2</sup>C System, provided that the system conforms to the I<sup>2</sup>C Standard Specification defined by Philips.



## PIN CONFIGURATIONS

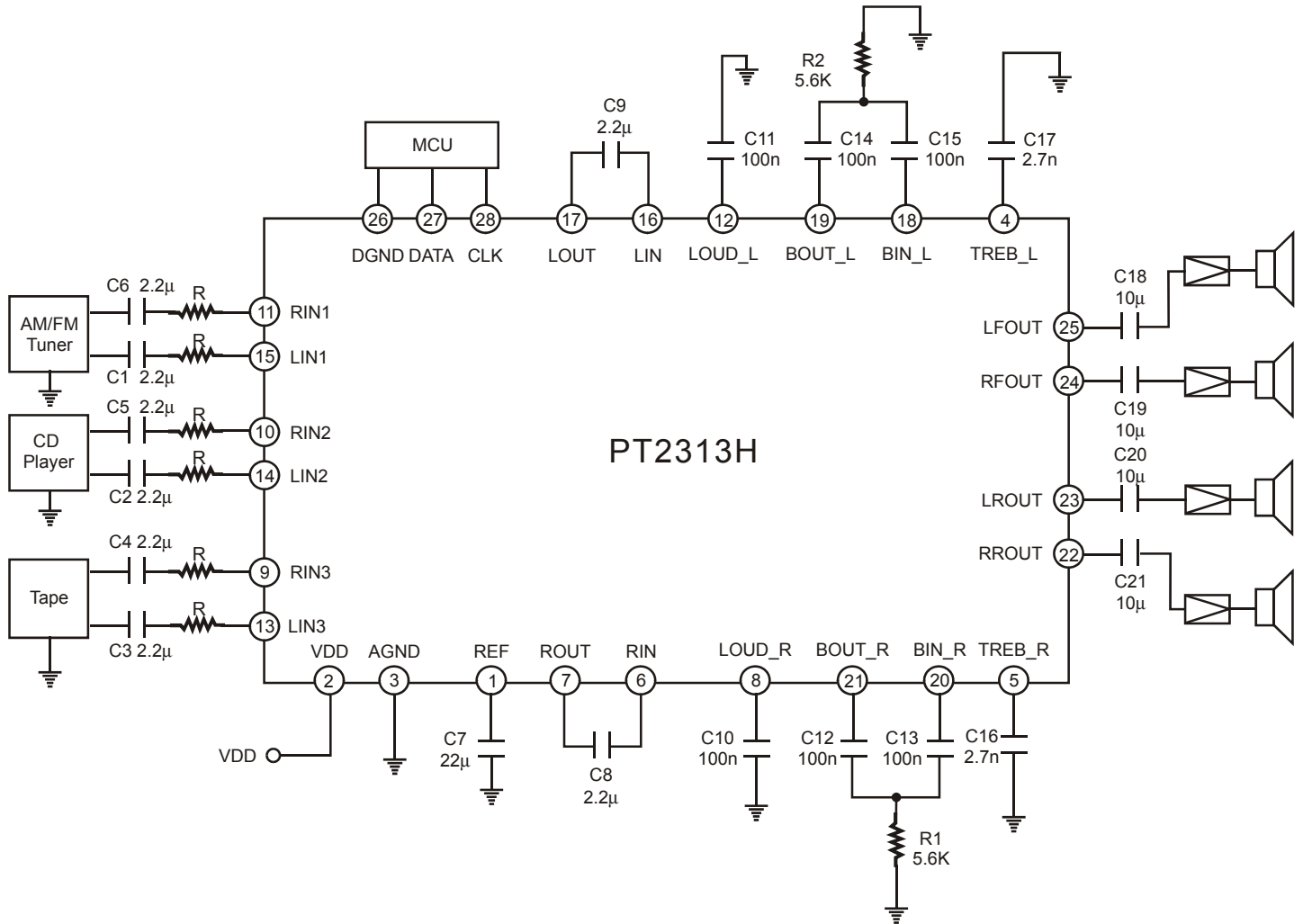




4-Channel Audio Processor

PT2313H

APPLICATION CIRCUIT



Note: Resistor (R) Recommended Value=1KΩ



## ORDER INFORMATION

Valid Part Number	Package Type	Top Code
PT2313H	28 Pins, SOP, 300mil	PT2313H