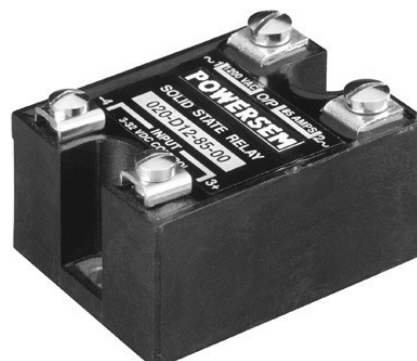


Single Phase Solid State Relays

HIGHLIGHTS

- INPUT: AC CONTROL
- OUTPUT: DIRECT COPPER BONDED BACK-TO-BACK SCR
- OPTO ISOLATION 2500 VAC (4000 V optional)
- ZERO VOLTAGE TURN-ON or RANDOM TURN-ON
- HIGH DV/DT
- SAFETY COVER (optional)
- REVERSE VOLTAGE PROTECTION FOR DC/AC RELAYS
- CHASSIS MOUNTABLE
- LED INDICATOR SHOWING RELAY 'ON' STATUS
- Weight = 106 g

Series: 20 SJ/K



125 – 205 A

(J: Zero voltage turn-on; K: Random turn-on)

ELECTRICAL SPECIFICATIONS

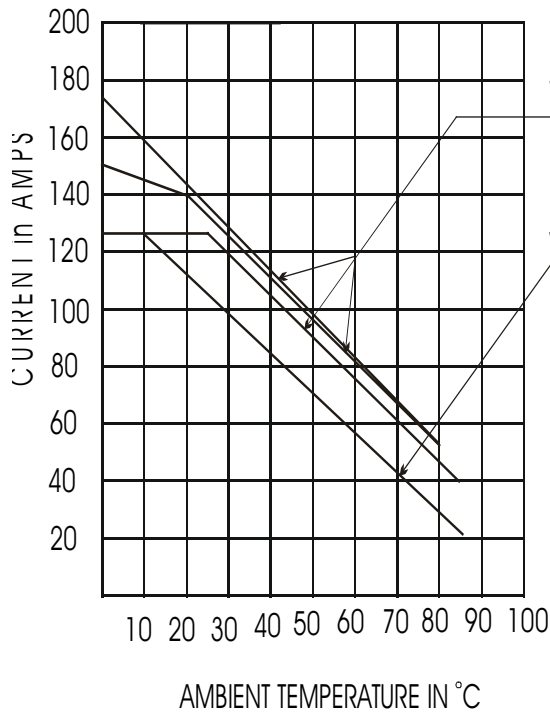
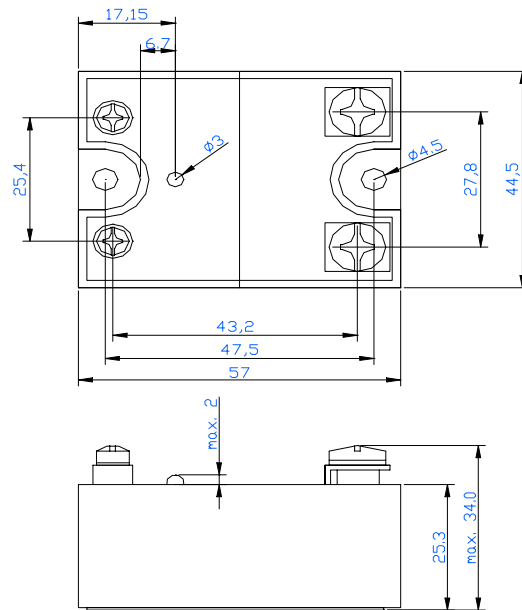
Parameter	Symbol	Type				Unit
		PSB 20 A 1212528	PSB 20 A 1215028	PSB 20 A 1217528	PSB 20 A 1220528	
AC CONTROL						
Control voltage range		90-280	90-280	90-280	90-280	Vac
Control current range		4-10	4-10	4-10	4-10	mA
Pick-up voltage		90	90	90	90	Vac
Drop out voltage		10	10	10	10	Vac
Input impedance		25	20-26	20-26	20-26	K Ohms
OUTPUT						
Main voltage range	V_{RMS}	48-660	48-660	48-660	48-660	Vac
Repetitive peak off state voltage	V_{DRM}	1200/1600	1200/1600	1200/1600	1200/1600	Vpk
RMS on-state current	I_T	125	150	175	205	A
Zero turn-on voltage		35	35	35	35	Vac
Off-state leakage current @ rated voltage	I_{DRM}	1	1	1	1	mA
Peak one cycle surge current (non-rep)	I_{TSM}	1250	1350	1500	2250	A
Holding current	I_H	250	250	250	250	mA
Critical rate of rise of off-state voltage	dv/dt	1000	1000	1000	1000	V/ μ s
Thermal resistance (junction to case)	R_{thjc}	0.35	0.35	0.25	0.1	K/W
Frequency range	f	47-63	47-63	47-63	47-63	Hz
Operating temperature		-25 to +80	-25 to +80	-25 to +80	-25 to +80	$^{\circ}$ C
Turn-on time	T-on	40	40	40	40	ms
Turn-off time	T-off	80	80	80	80	ms
Fusing current @ 25 $^{\circ}$ C (8.3ms)	I^2t	5000	8000	15000	25000	A 2 s



Single Phase Solid State Relays

MECHANICAL SPECIFICATIONS

Dimensions in mm

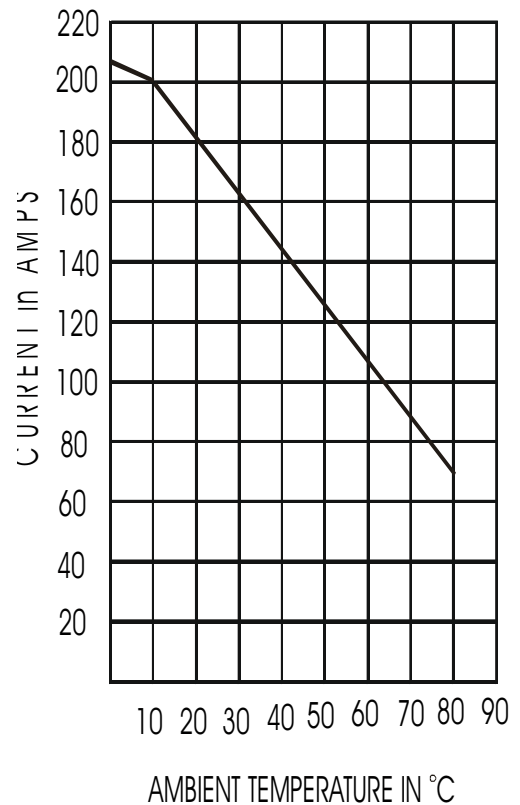


HEAT SINK USED: 0,14 kW

FAN USED: 70 CFM FOR 125 A

FAN USED: 100 CFM FOR 150 A - 175 A

VALID FOR SERIES: PSB 20 SJK (125 A - 175 A)



HEAT SINK USED: 0,1 kW

FAN USED: 100 CFM FOR 205 A