

Features

- Highest Luminous Flux
- Super Energy Efficiency
- Long Life
- Quick Response
- Superior ESD Protection
- Superior UV Resistance

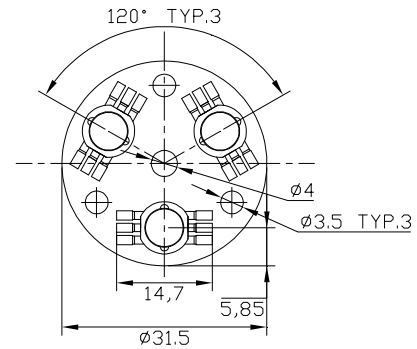
Applications

- Small Space Lighting
- Decorative Lights
- Mechanical equipment lights

Outline Size

Unit: mm

Tolerance: ± 0.30 mm



Absolute Maximum Rating (Ta=25°C)

Item	Symbol	Value	Unit
Operating Temperature	Tope	-30 ~ +85	°C
Storage Temperature	Tstg	-40~ +100	°C
Input Voltage(DC)	V _i (R)	9	V
	V _i (B/G)	12	V
Input Current(DC)	I _i	400	mA
Power Dissipation	Pa(R)	3.6	W
	Pa(B/G)	4.8	W

Picture



Electrical -Optical Characteristics (Ta=25°C)

Item	Symbol	Condition	Min.	Typ.	Unit
Input Voltage(DC)	V _i (R)	I _f =350mA	6.0	7.5	V
	V _i (B/G)	I _f =350mA	9.0	10.0	V
Power Dissipation	Pa(R)	I _f =350mA	2.100	2.625	W
	Pa(B/G)	I _f =350mA	3.150	3.465	W
Whole Luminous Flux*	Φ _v (R)	I _f =350mA	120	150	lm
	Φ _v (G)	I _f =350mA	150	210	lm
	Φ _v (B)	I _f =350mA	30	45	lm
Beam Pattern	BP	-	-	120	Deg
Net Weight	Wei	-	-	5	g

Circuit

