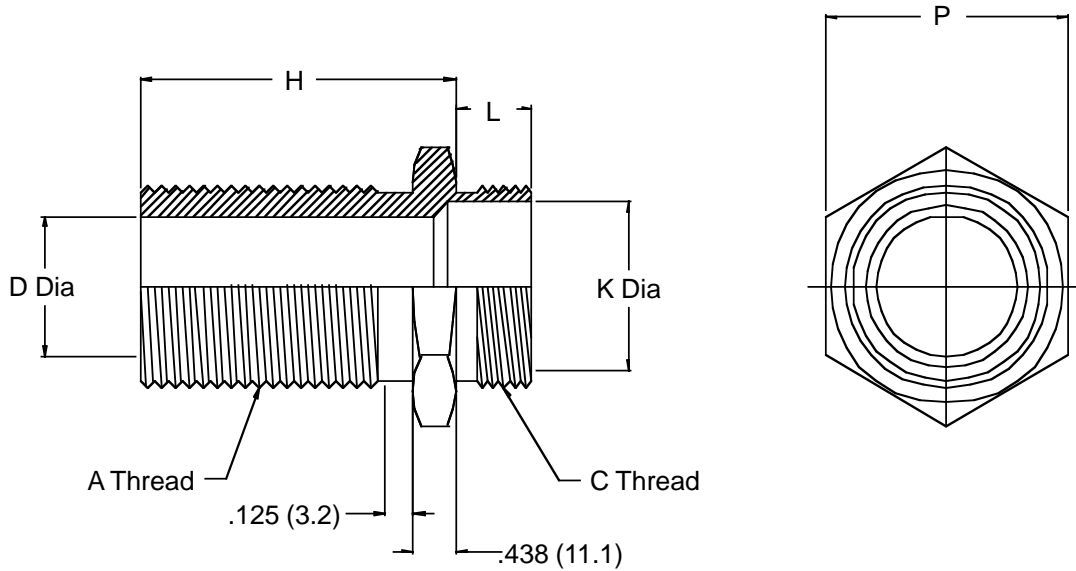


## M24758/16-16-04-A

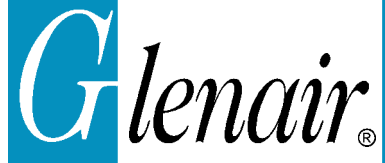
Basic Part No. \_\_\_\_\_  
 Conduit Size Code \_\_\_\_\_  
 (See Table I)  
 A-Thread Code \_\_\_\_\_  
 (See Table II)

Material Designator:  
 A = Aluminum  
 B = Brass  
 C = CRES 316



1. The M24758/16 adapter couples miscellaneous fittings to M24758/2, M24758/3, or M24758/4 fittings.
2. The American National Thread Series (N) has been superseded by the Unified Thread Series (UN). The series N-thread sizes listed in table II are retained for use with those items which have series N-threads.
3. Metric dimensions (mm) are indicated in parentheses.
4. For complete dimensions see applicable Military Specification.

## M24758/16 Adapter for Miscellaneous Fittings



**TABLE I**

Conduit Size Code	C Thread (Class 2A)	L		K Dia Min.
		$\pm.02$	(.5)	
02	0.438 - 28 UNEF	.210	(5.3)	.250 (6.4)
03	0.563 - 24 UNEF	.250	(6.4)	.370 (9.4)
04	0.688 - 24 UNEF	.250	(6.4)	.500 (12.7)
05	0.813 - 20 UNEF	.310	(7.9)	.620 (15.7)
06	0.938 - 20 UNEF	.310	(7.9)	.750 (19.1)
08	1.250 - 18 UNEF	.370	(9.4)	1.000 (25.4)
10	1.563 - 18 UNEF	.370	(9.4)	1.250 (31.8)
12	1.875 - 16 UN	.430	(10.9)	1.500 (38.1)
16	2.375 - 16 UN	.430	(10.9)	2.000 (50.8)
20	2.875 - 16 UN	.430	(10.9)	2.500 (63.5)
24	3.375 - 16 UN	.430	(10.9)	3.000 (76.2)

**TABLE II (A Thread Code and Adapter Dimensions)**

A Thread Code	A Thread (Class 2A)	D Dia		H Dim.		p Dim. Min.
		$\pm.005$	(.4)	$\pm.02$	(.5)	
01	1.125 - 14 N	.500	(12.7)	1.250	(31.8)	1.250 (31.8)
03	1.288 - 14N	.750	(19.1)	1.250	(31.8)	1.430 (36.3)
04	0.750 - 14 NPSM	.750	(19.1)	1.250	(31.8)	1.370 (34.8)
06	1.000 - 11 1/2 NPSM	1.000	(25.4)	1.250	(31.8)	1.680 (42.7)
07	1.250 - 11 1/2 NPSM	1.000	(25.4)	1.250	(31.8)	1.810 (46.0)
09	1.250 - 11 1/2 NPSM	1.180	(30.0)	1.250	(31.8)	1.810 (46.0)
10	2.025 - 11 1/2 N	1.250	(31.8)	1.560	(39.6)	2.180 (55.4)
13	2.250 - 11 1/2 N	1.500	(38.1)	1.690	(42.9)	2.500 (63.5)
16	2.500 - 8 NPSM	2.000	(50.8)	2.000	(50.8)	3.000 (76.2)
19	3.000 - 8 NPSM	2.500	(63.5)	2.060	(52.3)	3.620 (91.9)
20	1.500 - 11 1/2 NPSM	1.500	(38.1)	1.250	(31.8)	2.500 (63.5)
21	2.000 - 11 1/2 NPSM	2.000	(50.8)	1.250	(31.8)	3.000 (76.2)