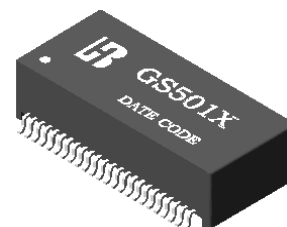
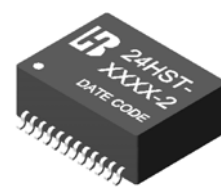
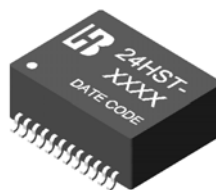


1000 BASE-T MAGNETICS MODULES

462 Boston St - Topsfield, MA 01983 - Phone: 978-887-8050 - Fax: 978-887-5434

General Specification

- Designed for long haul Gigabit Ethernet 1000 Base-T, Full Duplex applications
- Supports category 5 UTP cable
- Low common mode Emissions
- Compliant with IEEE 802.3ab standard for 1000 Base-T
- Storage temperature range: -40°C to +125°C.



Electrical Specifications @ 25°C &

Operating Temperature range: 0°C to +70°C

Isolation Voltage : 1500Vrms

CW/W : 28pF Max

OCL(100KHz, 0.1Vrms with 8mA/DC Bias) : 350 uH Min.

L.L: 0.5uH Max

Part Number	Turns Ratio (±5%)	Insertion Loss (dB Max.)	Return Loss (dB Min @ 100 Ω)					Cross talk (dB Min.)			Differential to Common Mode Rejection(dB Min.)		
			1~100MHz z	1-30MHz	40MHz	50MHz	60-80MHz	100MHz	30MHz	60MHz	100MHz z	30MHz	60MHz
GS5008	1CT:1	-1.0	-18	-14.4	-13.1	-12	-10	-45	-40	-35	-43	-37	-33
GS5009	1CT:1CT	-1.0	-18	-14.4	-13.1	-12	-10	-45	-40	-35	-43	-37	-33
24HST1041*	1CT:1CT	-1.0	-18	-14.4	-13.1	-12	-10	-45	-40	-35	-43	-37	-33
24HST1041A*	1CT:1	-1.0	-18	-14.4	-13.1	-12	-10	-45	-40	-35	-43	-37	-33
24HST1041-A*	1CT:1CT	-1.0	-18	-14.4	-13.1	-12	-10	-45	-40	-35	-43	-37	-33
24HST1041B*	1CT:1	-1.0	-18	-14.4	-13.1	-12	-10	-45	-40	-35	-43	-37	-33
24HST1041-2	1CT:CT	-1.0	-18	-14.4	-13.1	-12	-10	-45	-40	-35	-43	-37	-33
24HST1041A-2	1CT:1	-1.0	-18	-14.4	-13.1	-12	-10	-45	-40	-35	-43	-37	-33
GS5012	1CT:1	-1.0	-18	-14.4	-13.1	-12	-10	-45	-40	-35	-43	-37	-33
GS5014	1CT:1CT	-1.0	-18	-14.4	-13.1	-12	-10	-45	-40	-35	-43	-37	-33

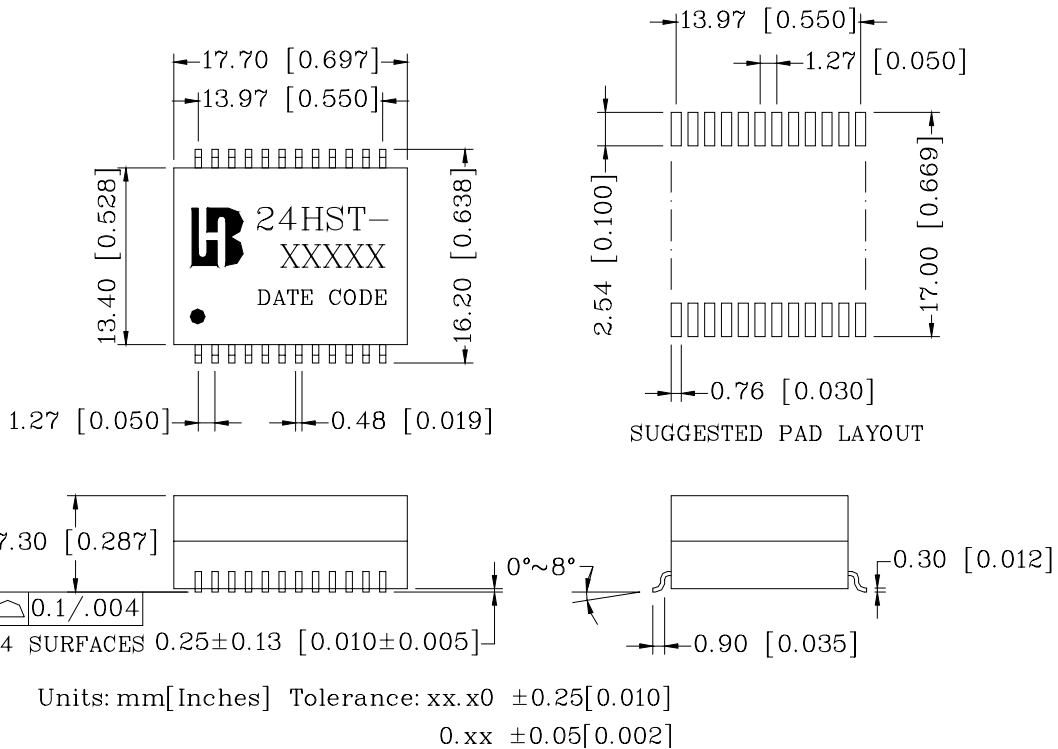
* Note: Insulation resistance:10,000MΩ , 24HST1041-A :Design meet to loop currents from 330mA

Mechanicals

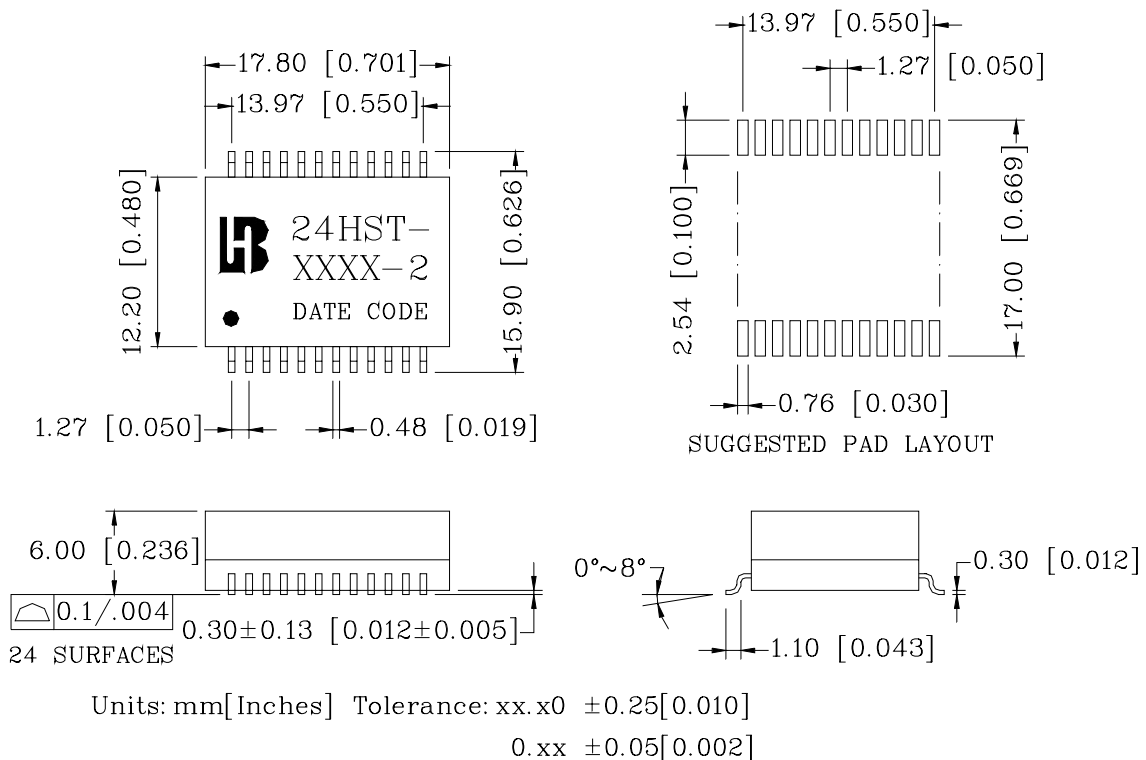
24HST1041 , 24HST1041A , 24HST1041-A , 24HST1041B

1000 BASE-T MAGNETICS MODULES

462 Boston St - Topsfield, MA 01983 - Phone: 978-887-8050 - Fax: 978-887-5434



24HST1041-2 , 24HST1041A-2

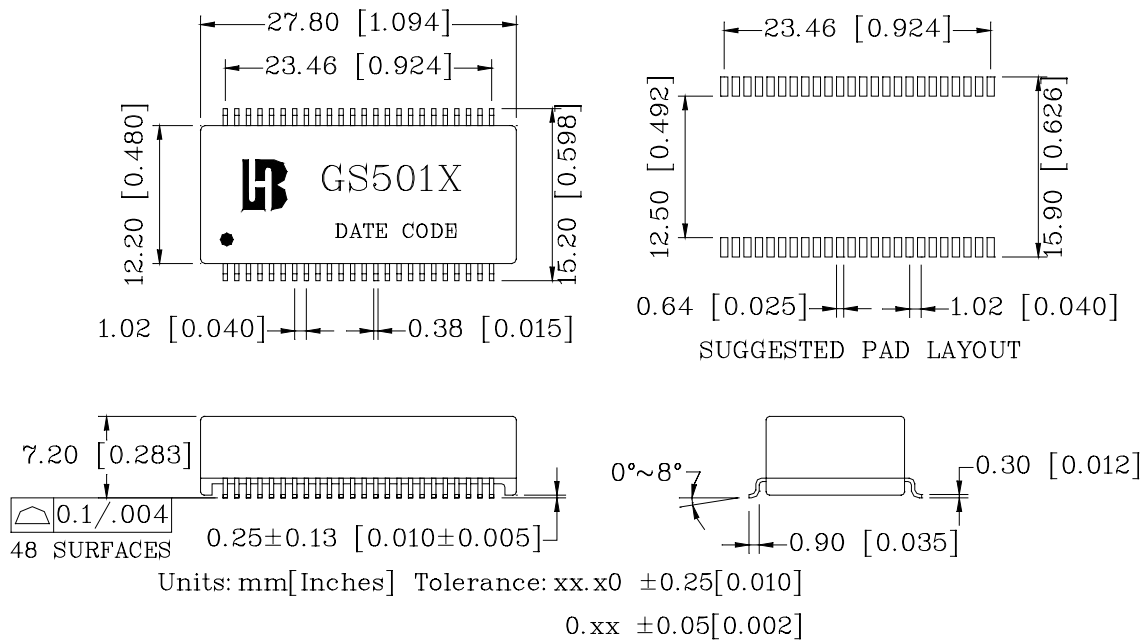


GS5008 , GS5009

1000 BASE-T MAGNETICS MODULES

462 Boston St - Topsfield, MA 01983 - Phone: 978-887-8050 - Fax: 978-887-5434

GS5012, GS5014

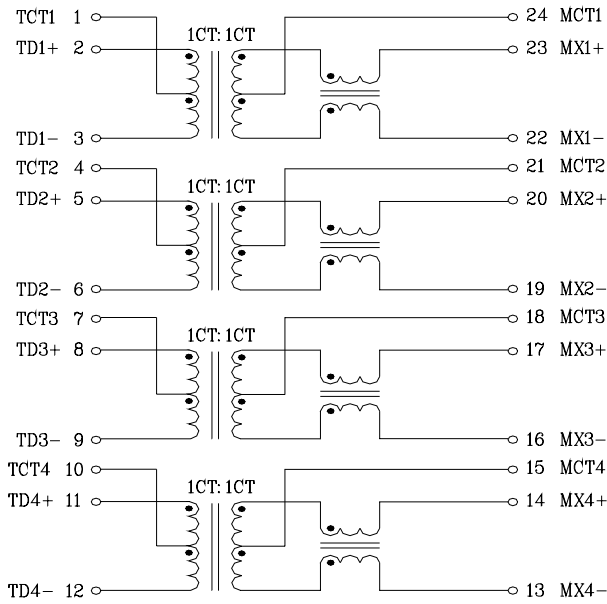


Schematics

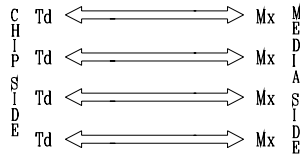
1000 BASE-T MAGNETICS MODULES

462 Boston St - Topsfield, MA 01983 - Phone: 978-887-8050 - Fax: 978-887-5434

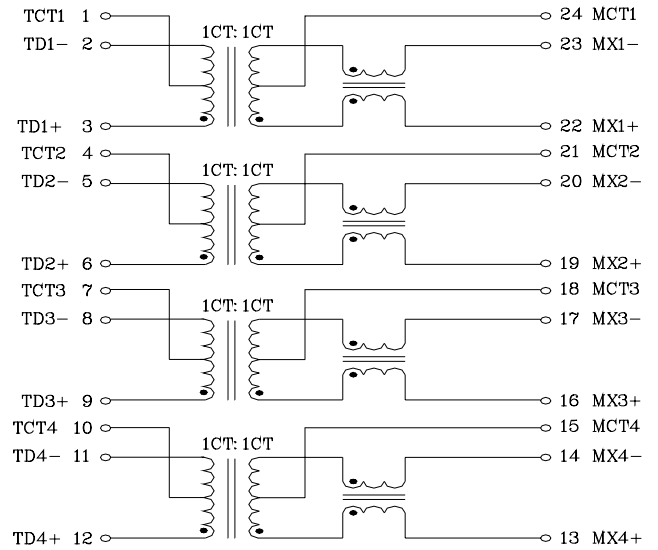
24HST1041



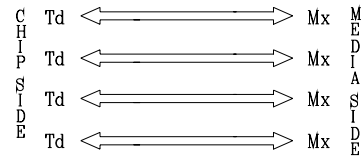
LEGEND



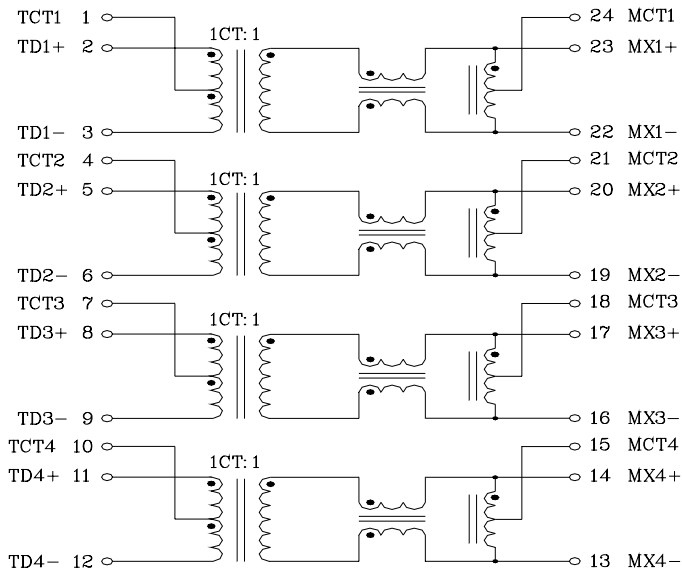
24HST1041-2



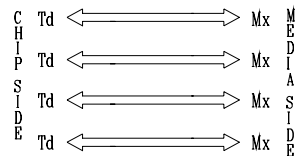
LEGEND



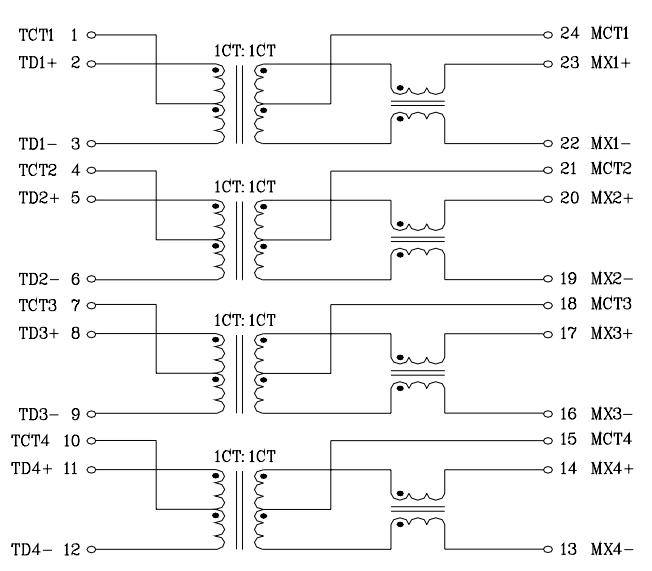
24HST1041A



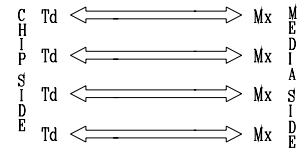
LEGEND



24HST1041-A



LEGEND

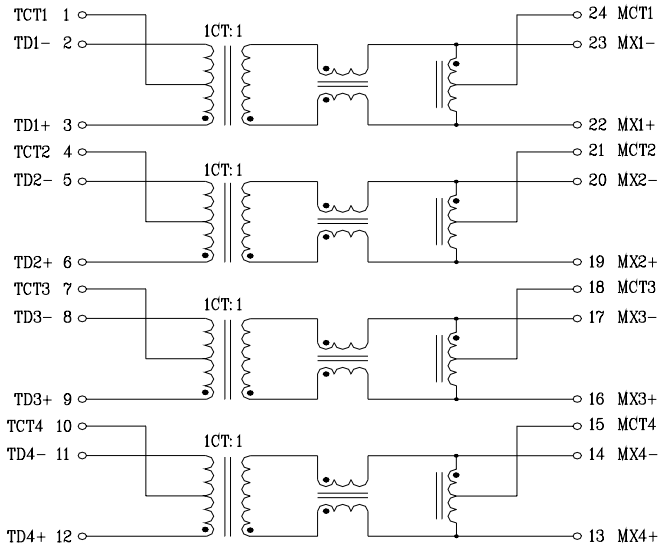


24HST1041A-2

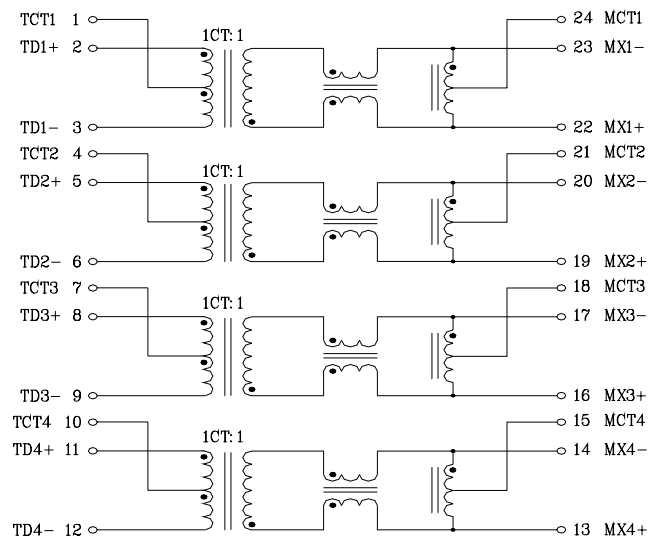
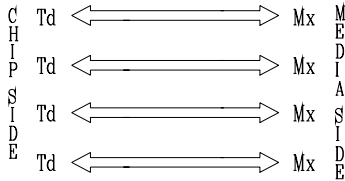
24HST1041B

1000 BASE-T MAGNETICS MODULES

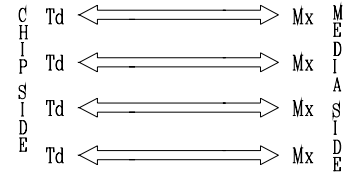
462 Boston St - Topsfield, MA 01983 - Phone: 978-887-8050 - Fax: 978-887-5434



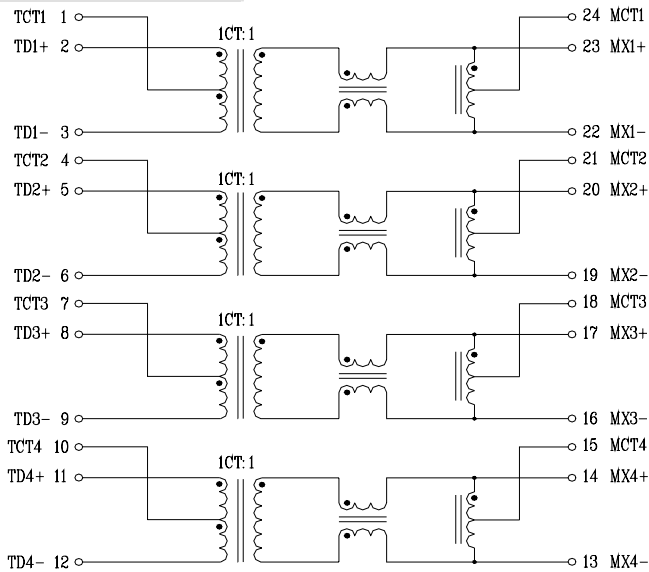
LEGEND



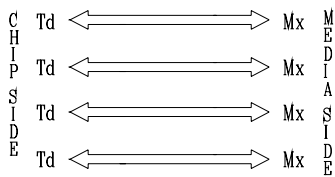
LEGEND



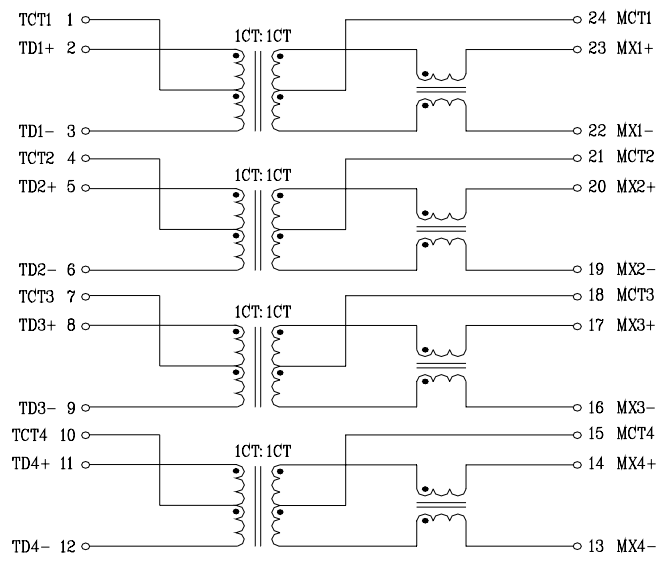
GS5008



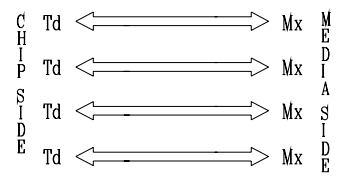
LEGEND



GS5009

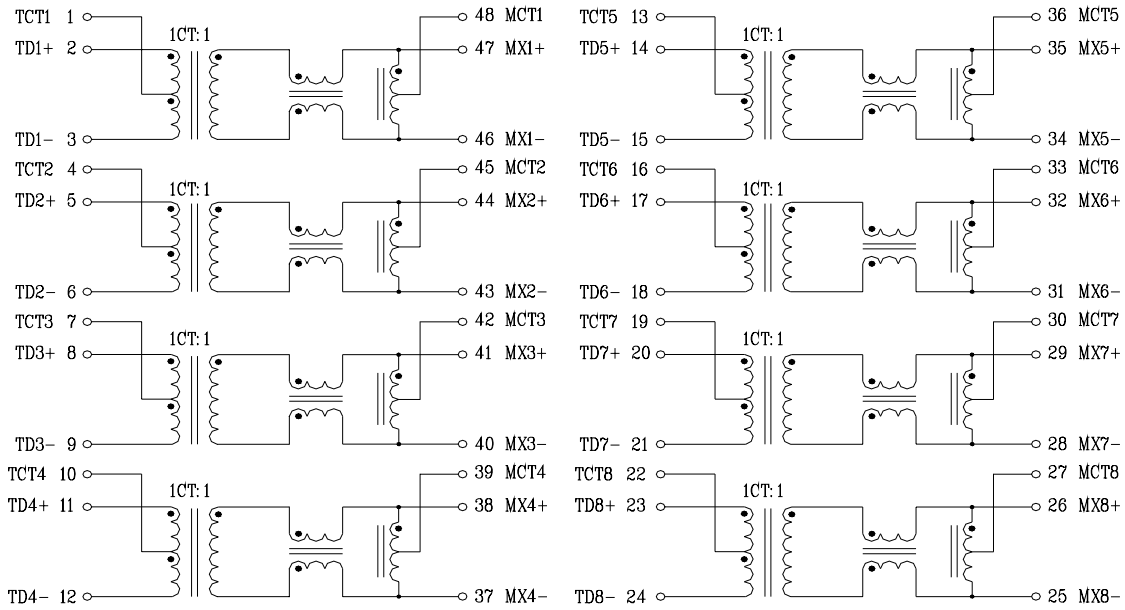


LEGEND

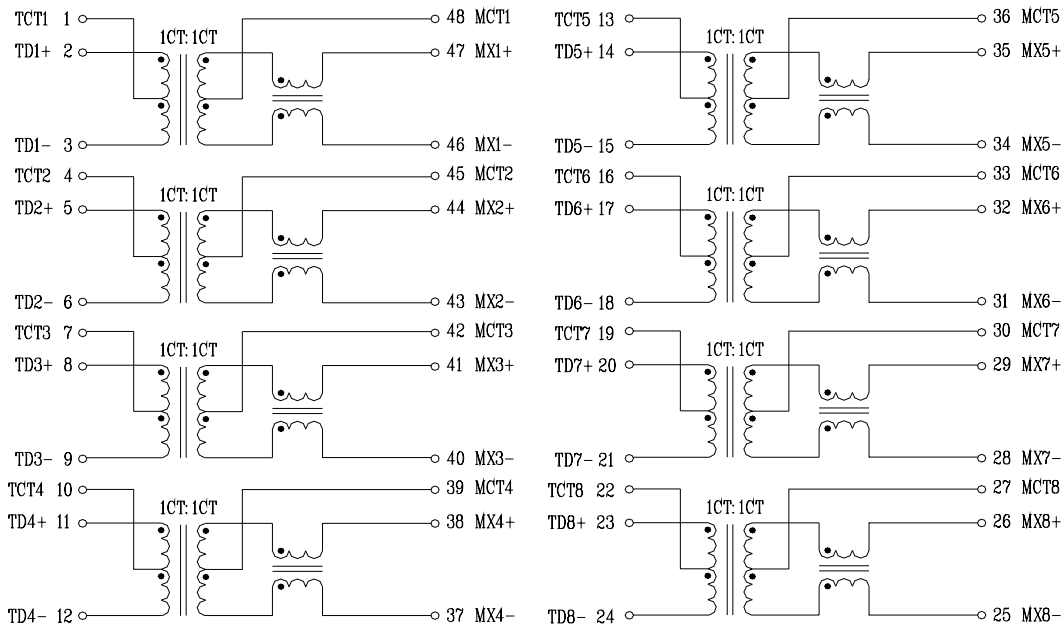


1000 BASE-T MAGNETICS MODULES

462 Boston St - Topsfield, MA 01983 - Phone: 978-887-8050 - Fax: 978-887-5434



GS5014



GS5012

GS5014

